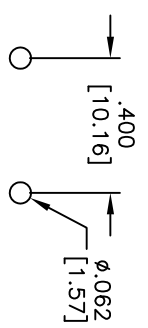
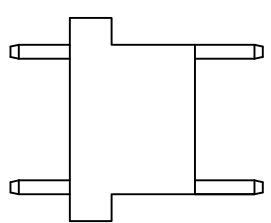
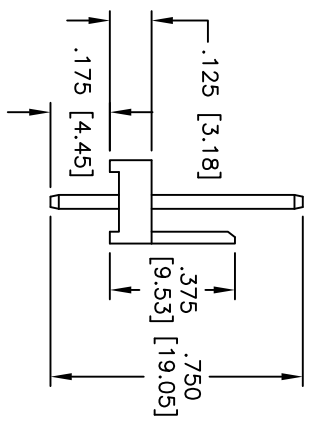
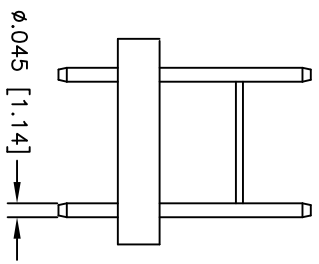
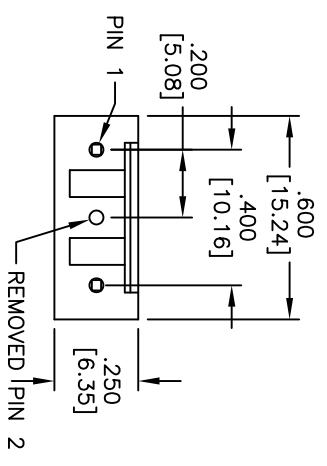


Rev	AWO #	Description	Date	Appr
-		RELEASED	1/06/11	

APPROVED: _____
 DATE: _____ TITLE: _____



RECOMMENDED PCB LAYOUT

SPECIFICATIONS:

- Material: Nylon 66, rated UL 94V-2
- Insulator color: Natural
- Contacts: Brass
- Plating: Tin over Nickel underplate overall
- Electrical: Operating voltage: 250V AC/DC
- Current rating: 3A AC/DC
- Environmental: Lead free, RoHS compliant
- Recommended soldering temp: 235°C for 5 seconds

ADAM TECH

909 Rahway Avenue, Union, NJ 07083
 Phone: 908-687-5000 Fax: 908-687-5710

TITLE: .200 [5.08] WIRE TO BOARD, STRAIGHT
 ROUND PINS

UNLESS OTHERWISE SPECIFIED ALL DIMENSIONS ARE INCHES [MM]	
TOLERANCES: EXCEPT AS NOTED	HOLDS
.X ± .10	ØX ± .10
.XX ± .020	ØXXX ± .015
.XXX ± .015	ØXXXX ± .010
APPROVALS	DATE
DRAWN DY	1/06/11
CHECKED	
APPROVED	

SIZE X	PART NO. LHN-03-TS-RP-X02	REV. -
REF: S00123T	SCALE: NTS	SHEET 1 OF 1



6 5 4 3 2 1