

PLEASE CHECK WWW.MOLEX.COM FOR LATEST PART INFORMATION

Part Number: [0003092049](#)
Status: **Active**
Overview: [standard_093](#)
Description: 2.36mm (.093") Diameter Standard .093 Pin and Socket Plug Housing, 4 Circuits, Dual Row

Documents:

3D Model	Product Specification PS-02-09 (PDF)
Packaging Specification (PDF)	Product Specification PS-43660-9999 (PDF)
Drawing (PDF)	RoHS Certificate of Compliance (PDF)

Agency Certification

CSA	LR19980
UL	E29179

General

Product Family	Crimp Housings
Series	2163
Comments	14.0A max. can be achieved when housing is used with 42477 or 42478 terminals
Overview	standard_093
Product Name	Standard .093"

Physical

Circuits (maximum)	4
Circuits Detail	(2 x 2)
Color - Resin	Natural
Flammability	94V-2
Gender	Dual
Glow-Wire Compliant	No
Material - Resin	Nylon
Number of Rows	2
Packaging Type	Bag
Panel Mount	No
Pitch - Mating Interface (in)	0.198 In
Pitch - Mating Interface (mm)	5.03 mm
Stackable	No
Temperature Range - Operating	-40°C to +105°C

Electrical

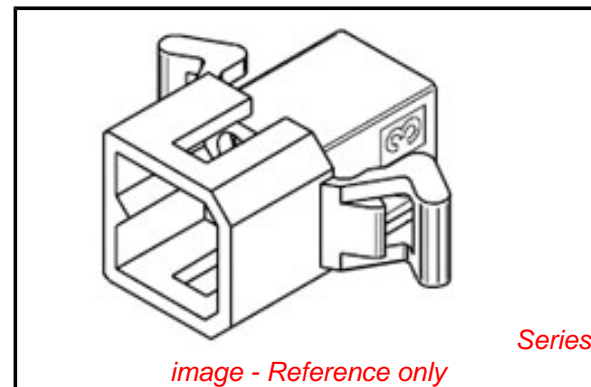
Current - Maximum per Contact	11A
-------------------------------	-----

Material Info

Old Part Number	2163-P1
-----------------	---------

Reference - Drawing Numbers

Packaging Specification	PK-2163-001
Product Specification	PS-02-09, PS-43660-9999
Sales Drawing	SD-2163-*



EU RoHS

ELV and RoHS Compliant
REACH SVHC
Contains SVHC: No
Halogen-Free
Status

China RoHS



Need more information on product environmental compliance?

Email productcompliance@molex.com
 For a multiple part number RoHS Certificate of Compliance, [click here](#)

Please visit the [Contact Us](#) section for any non-product compliance questions.

Search Parts in this Series

[2163Series](#)

Mates With

[2163r](#)

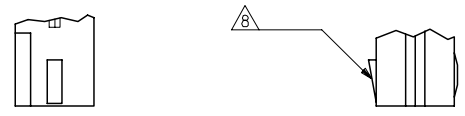
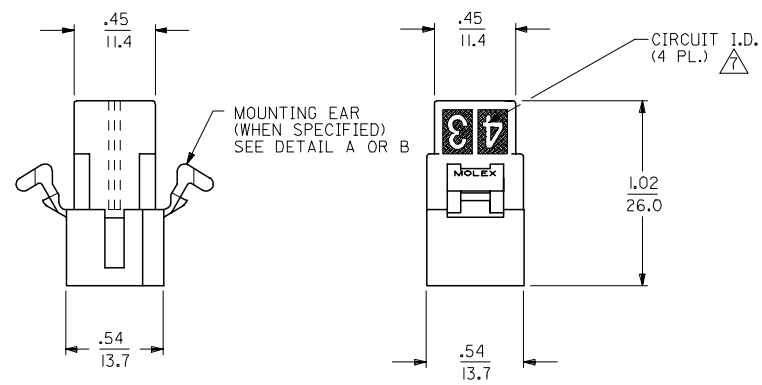
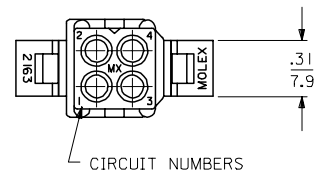
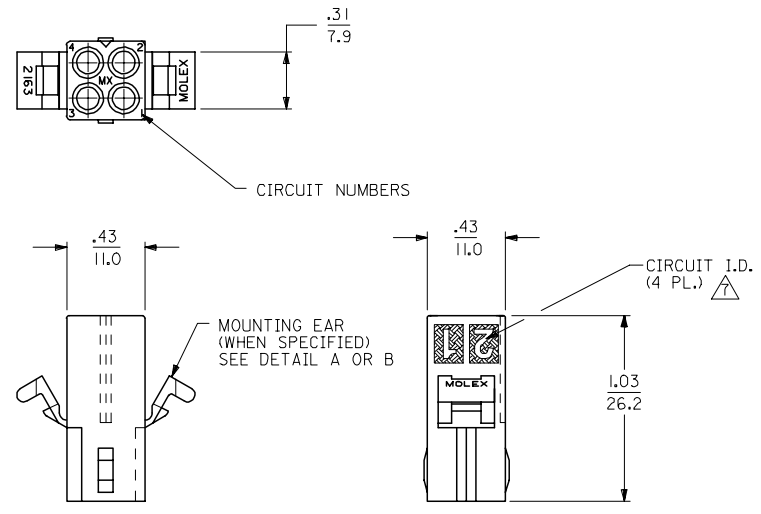
Use With

[1189](#) Crimp Terminals, [1190](#) Crimp Terminals, [1376](#) Male PC Tail Terminals, [1377](#) Female PC Tail Terminals, [1380](#) Male Crimp Terminals, [1381](#) Female Crimp Terminals, [1433](#) Crimp Terminals, [1434](#) Male Crimp Terminals, [1973](#) , [2151](#) , [2273](#) , [2870](#) , [2871](#) , [4272](#) , [4550](#) , [6271](#) , [6310](#) , [42477](#) , [42478](#)

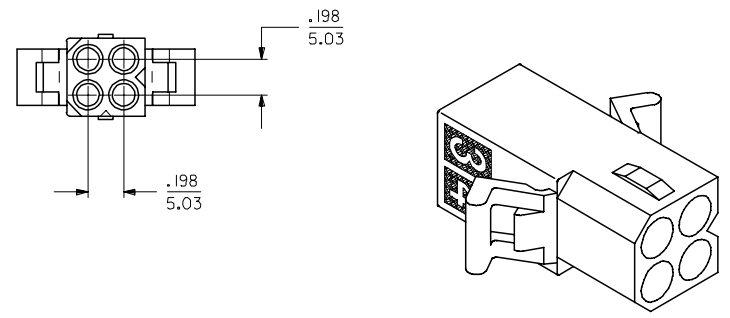
13 12 11 10 9 8 7 6 5 4 3 2 1

RECEPTACLE

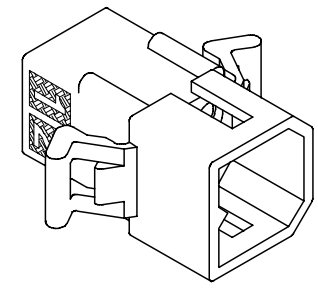
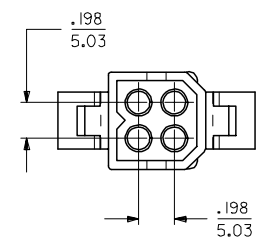
PLUG



OPTIONAL POSITIVE LOCK
(ONE SIDE ONLY)



SHOWN WITH PREBENT MOUNTING EAR



SHOWN WITH PREBENT MOUNTING EAR

2	I2
1	I2
SHT.	REV.

UPDATE NOTE 4 EC NO: UCP2007-0023 DRAWN/PRI/DOR 2006/07/27 CHKD: AEL/HAG 2006/08/01 APPR: FSM/TH 2006/08/02	QUALITY SYMBOLS 	GENERAL TOLERANCES (UNLESS SPECIFIED)		DIMENSION STYLE IN/MM	SCALE 2:1	DESIGN UNITS INCH	THIRD ANGLE PROJECTION														
		<table border="1"> <thead> <tr> <th></th> <th>mm</th> <th>INCH</th> </tr> </thead> <tbody> <tr> <td>4 PLACES</td> <td>±---</td> <td>±---</td> </tr> <tr> <td>3 PLACES</td> <td>±---</td> <td>±.010</td> </tr> <tr> <td>2 PLACES</td> <td>±0.25</td> <td>±.014</td> </tr> <tr> <td>1 PLACE</td> <td>±0.35</td> <td>±---</td> </tr> <tr> <td colspan="3">ANGULAR ±---°</td> </tr> </tbody> </table>		mm	INCH	4 PLACES	±---	±---	3 PLACES	±---	±.010	2 PLACES	±0.25	±.014	1 PLACE	±0.35	±---	ANGULAR ±---°			DRAWN BY KBW
	mm	INCH																			
4 PLACES	±---	±---																			
3 PLACES	±---	±.010																			
2 PLACES	±0.25	±.014																			
1 PLACE	±0.35	±---																			
ANGULAR ±---°																					
DRAFT WHERE APPLICABLE MUST REMAIN WITHIN DIMENSIONS		CHECKED BY RW	DATE 02/03/89	APPROVED BY RAS	DATE 02/03/89	MATERIAL NO. SEE CHART	DOCUMENT NO. SD-2163-*														
		THIS DRAWING CONTAINS INFORMATION THAT IS PROPRIETARY TO MOLEX INCORPORATED AND SHOULD NOT BE USED WITHOUT WRITTEN PERMISSION		MOLEX INCORPORATED		SHEET NO. 1 OF 2															

12 11 10 9 8 7 6 5 4 3 2 1

PLUG	
ORDER NO	ENG NO
03-09-2040	2163-P
03-09-2049	2163-P1
50-29-0097	2163-PIUV

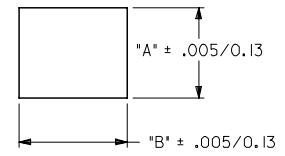
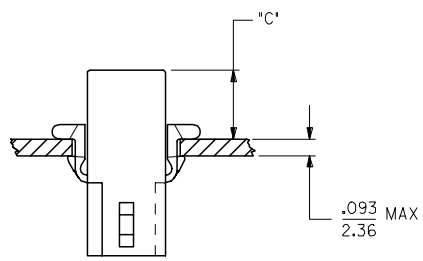
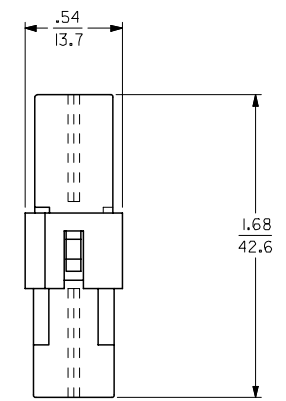
RECEPTACLE	
ORDER NO	ENG NO
03-09-1040	2163-R
03-09-1049	2163-R1
03-09-6049	2163-RIBK
50-29-0098	2163-RIUV

LEGEND:

2163-****
P = PLUG
R = RECEPTACLE

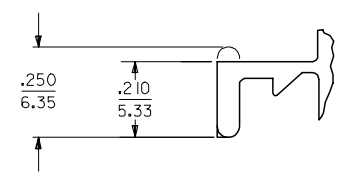
- BLANK = WITH STANDARD EARS
1 = WITHOUT EARS
2 = WITH PREBENT EARS
3 = RECEPTACLE W/ POSITIVE LOCK RAMP, WITHOUT EARS.
4 = RECEPTACLE W/ POSITIVE LOCK RAMP, WITH STANDARD EARS.

COLOR:
BLANK = NATURAL COLOR
AM = AMBER BK = BLACK BU = BLUE
BN = BROWN GY = GRAY GN = GREEN
OR = ORANGE RD = RED YW = YELLOW
UV = BLACK UV RESISTANT

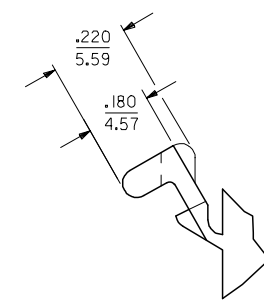


RECOMMENDED PANEL OPENING

HOUSING	DIM. "A"	DIM. "B"	"C" PREBENT EAR	"C" STANDARD EAR
PLUG	.555/14.10	.695/17.65	.42/10.7	.38/9.7
RECEPT.	.500/12.70	.600/15.24	.40/10.2	.37/9.4



DETAIL A
.093/(2.36) STANDARD MOUNTING EAR
(SCALE 4:1)



DETAIL B
.093/(2.36) PREBENT MOUNTING EAR
(SCALE 4:1)

NOTES:

- MATERIAL: NYLON 6/6 (PA), UL 94V-2.
- FINISH: NONE.
- PRODUCT SPECIFICATION: PS-02-09 APPLIES.
- PARTS TO BE PACKAGED PER PK-2163-001
- MATES WITH: SERIES 2163.
- ACCEPTS MOLEX .093 SERIES TERMINALS.
- CIRCUIT I.D. NUMBERS ON HOUSING APPEAR ON PARTS FROM TOOLS BUILT AFTER 7/22/91.
- POSITIVE LOCK VERSION REQUIRES USE OF A SCREWDRIVER OR SIMILAR TOOL TO LIFT SHROUD ON PLUG HOUSING IN ORDER TO UNMATE RECEPTACLE HOUSING.

UPDATE NOTE 4 FC NO: UCP2007-0023 DRAWN BY: DER 2006/07/27 CHKD: AELHAG 2006/08/01 APPR: FSM TH 2006/08/02	QUALITY SYMBOLS = 0 = 0	GENERAL TOLERANCES (UNLESS SPECIFIED)		DIMENSION STYLE IN/MM		SCALE 2:1	DESIGN UNITS INCH	THIRD ANGLE PROJECTION	
		4 PLACES ± --- ± ---	mm INCH	DRAWN BY KBW	DATE 02/03/89	TITLE .093/(2.36) HOUSINGS PLUG & RECEPTACLE 4 CKT., .198/(5.03) CL			
		3 PLACES ± --- ± .010		CHECKED BY RW	DATE 02/03/89	MATERIAL NO. RAS			
		2 PLACES ± 0.25 ± .014		APPROVED BY RAS	DATE 02/03/89	DOCUMENT NO. SD-2163-*			
1 PLACE ± 0.35 ± ---		ANGULAR ± --- °		SEE CHART		SHEET NO. 2 OF 2			
DRAFT WHERE APPLICABLE MUST REMAIN WITHIN DIMENSIONS				THIS DRAWING CONTAINS INFORMATION THAT IS PROPRIETARY TO MOLEX INCORPORATED AND SHOULD NOT BE USED WITHOUT WRITTEN PERMISSION					