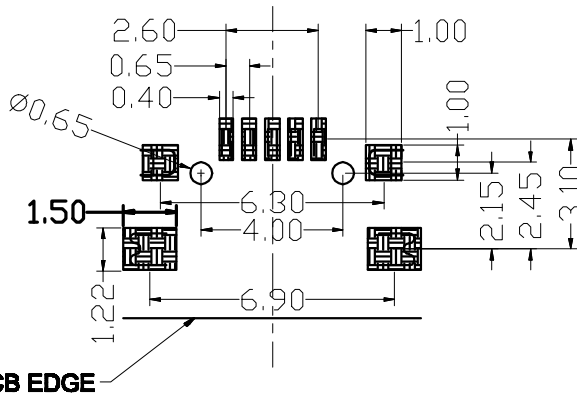
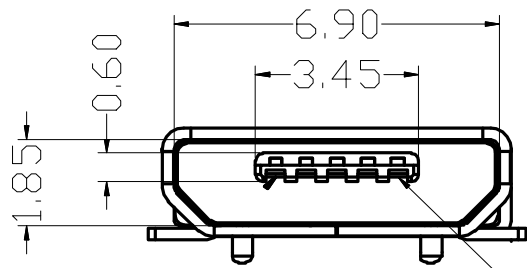
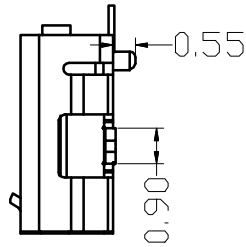
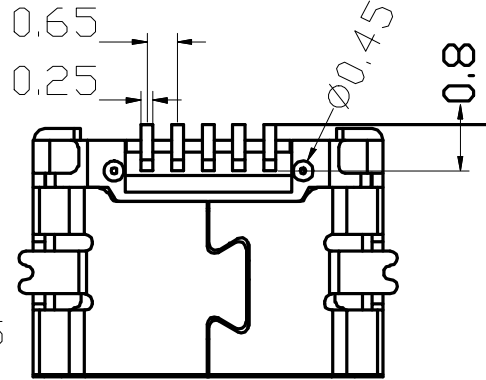
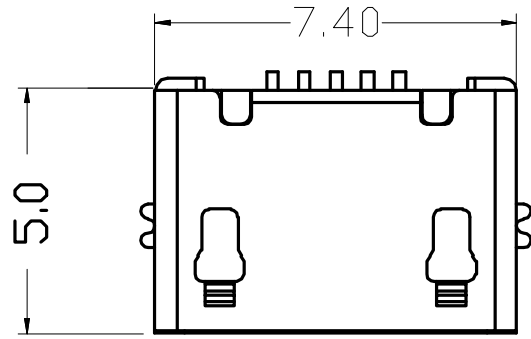




REV.	ECN NO OR DESCRIPTION	REVISED	DATE



NOTES:

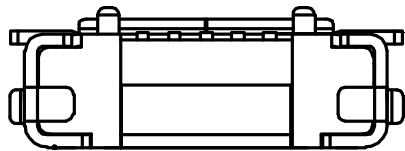
1. MATERIAL:
 - 1.1 HOUSING:THERMOPLASTIC FLAMMABILITY RATING UL94-0
 - 1.2 CONTACT:COPPERY ALLOY T=0.15MM
 - 1.3 SHELL: COPPERY ALLOY T=0.25MM
2. FINISH:
 - 2.1 CONTACT:
 - 3U"MIN,PLATED ON CONTACT AREA
 - G/F PLATING ON SOLDER TAIL AREA
 - 50~80U" NICKEL UNDERPLATING OVERALL
 - 2.2 SHELL:
 - 80~120U" MATTER TIN PLAIN ALL
 - 50~80U" NICKEL UNDERPLATING OVERALL
3. SPECIFICATION:
 - 3.3 CURRENT RATING:0.5A(2.3.4CONTACT)/1.8A (1.5CONTACT)MAX.
 - 3.2 VOLTAGE:30 VAC
 - 3.3 TEMPERATURE RANGE:-30°C~85°C
 - 3.4 CONTACT RESISTANCE:30 MILLIONHM MAX.
 - 3.5 DIELECTRIC WITHSTANDING VOLTAGE;250VAC R.M.S
 - 3.6 INSULATION RESISTNACE:100 MEGOHMS MIN

PIN1

PIN5

PCB EDGE

RECOMMENDED PCB LAYOUT
TOLERANCE:±0.05



0.05

UNLESS OTHERWISE SPECIFIED TOLERANCES

DECIMALS: ANGLES:
 X :±0.35 X :±2°
 X.X :±0.25 X.X :±1°
 X.XX :±0.15



东莞市汉博电子科技有限公司
DONGGUAN HANBO TECHNOLOGY CO., LTD

TITLE	MICRO USB 全贴片长5.0无卷边			
DWN	xiong	PART NO.	MC-602-AWT	
CHKD	lee	SCALE:1:1	UNIT: mm	
APVD	wang	SIZE: A4	SHEET:1OF 1	REV: A4

CUSTOMER COPY