

THIS DRAWING IS UNPUBLISHED.

RELEASED FOR PUBLICATION

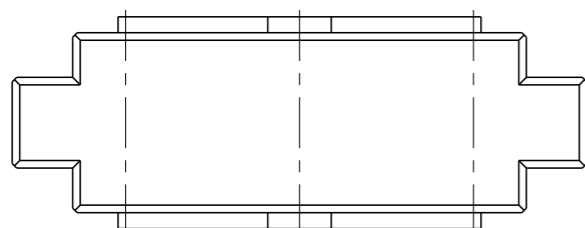
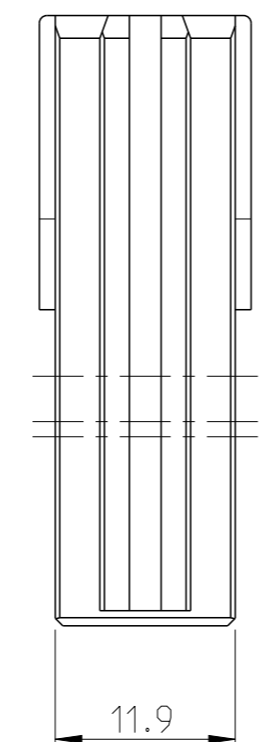
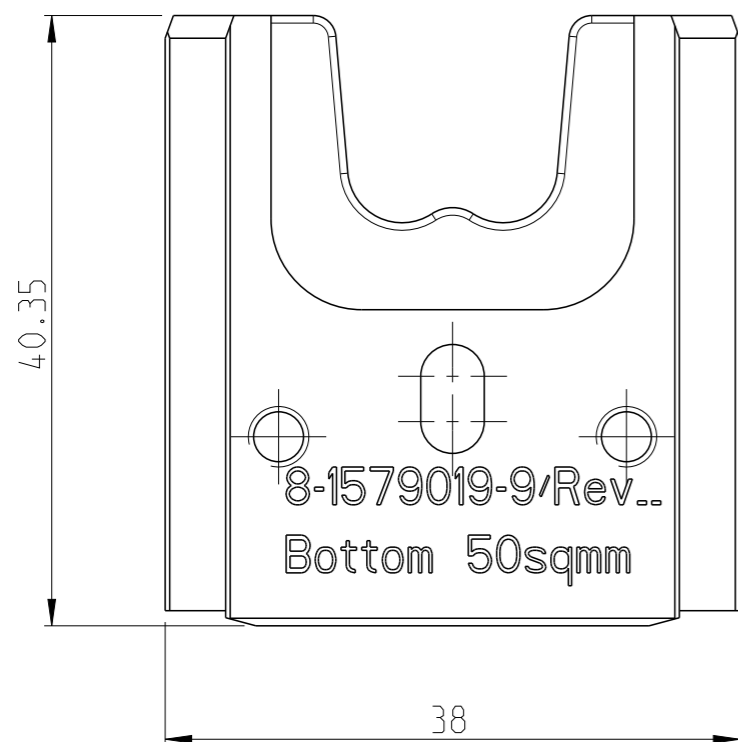
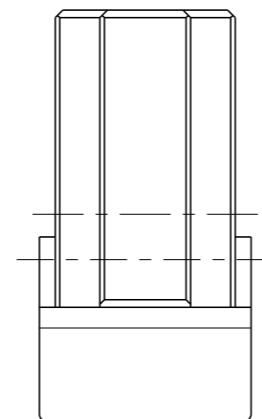
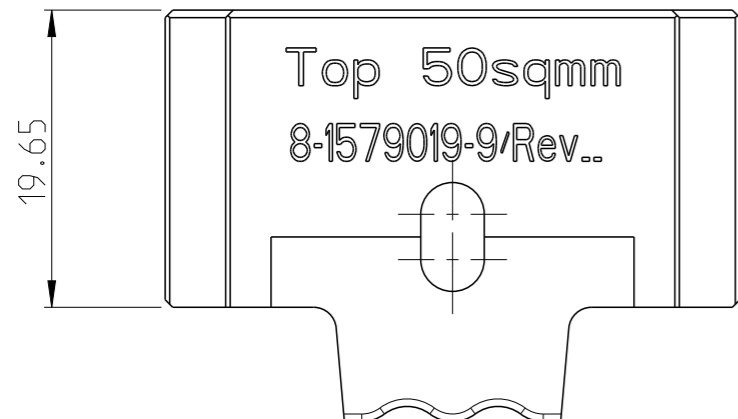
20

© COPYRIGHT 20 BY -

ALL RIGHTS RESERVED.

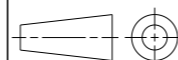
REVISIONS

P	LTR	DESCRIPTION	DATE	DWN	APVD
	A	Initial Release	27AUG2013	MG	RG



THIS DRAWING IS A CONTROLLED DOCUMENT.

DIMENSIONS:
mm



TOLERANCES UNLESS OTHERWISE SPECIFIED:

- 0 PLC ±
- 1 PLC ±
- 2 PLC ±
- 3 PLC ±
- 4 PLC ±
- ANGLES ±1°

MATERIAL

FINISH

DWN M. Goetz 27AUG2013

CHK R. Germann 27AUG2013

APVD R. Germann 27AUG2013

PRODUCT SPEC

APPLICATION SPEC

WEIGHT 183g

Customer Drawing



TE Connectivity

NAME
DIE SET IPT-VW WIRE, 50SQ.MM
DIE SET IPT-VW Draht, 50Q.MM

SIZE CAGE CODE DRAWING NO RESTRICTED TO

A3 - C-8-1579019-9

SCALE 2:1 SHEET 1 OF 1 REV A