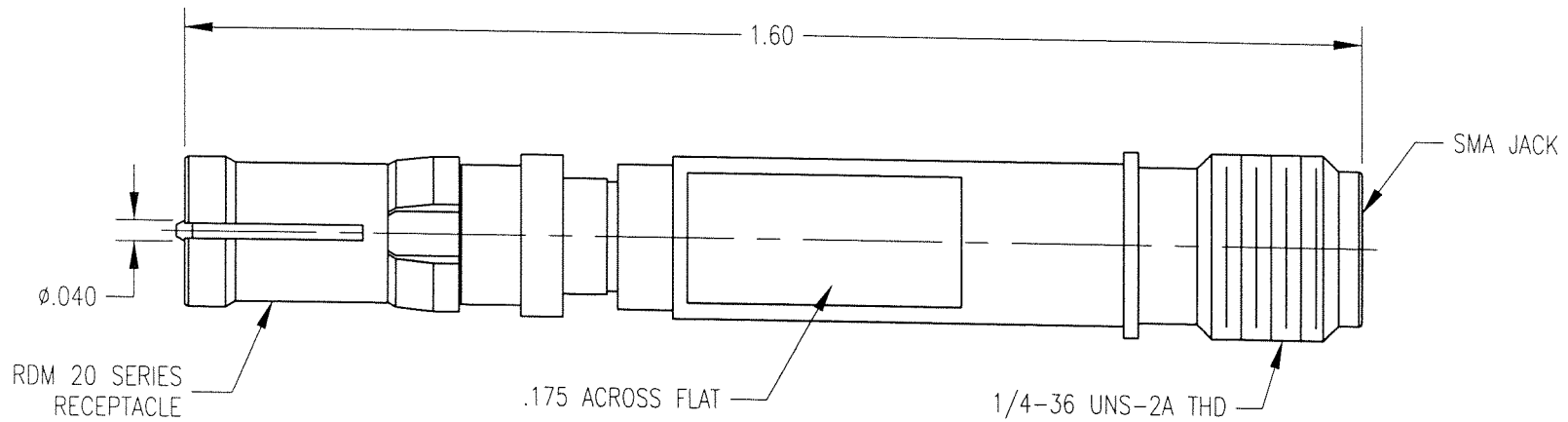


DWG. NO. 201-351-0000H			
REV	DESCRIPTION	BY	APP'D
C	ECR 6594	10/27/00 JWH	[Signature]



NOTES:

1. MATERIAL:

RDM BODY AND CONTACT: BERYLLIUM COPPER PER ASTM B196  
 SMA BODY: BRASS PER ASTM B16  
 INSULATOR: TEFLON PER ASTM D1710  
 CLIP RING: BERYLLIUM COPPER PER ASTM B194

2. FINISH:

BODIES: .000008 MIN. GOLD PER MIL-G-45204 OVER  
 .000050 MIN. NICKEL PER QQ-N-290  
 CENTER CONTACT: .000015 MIN. GOLD PER MIL-G-45204 OVER  
 .000050 MIN. NICKEL PER QQ-N-290  
 CLIP RING: .000100 MIN. NICKEL PER QQ-N-290 OVER  
 COPPER FLASH

PER ASME Y14.5M-1994 UNLESS OTHERWISE SPECIFIED: DIMENSIONS ARE IN INCHES [MM]		<b>Litton</b>	
TOLERANCES: DECIMALS .XX ± .01/0.254 XXX ± .005/0.127 ANGLES ± 2°		Winchester/Retconn 400 Park Road Watertown, Connecticut 06795	
<b>CUSTOMER DRAWING</b>		TITLE RDM RECEPTACLE TO SMA JACK ADAPTOR	
DRAWN JWH	DATE 3/6/00	CHECKED JED	DATE 3/6/00
APPROVED JMC	DATE 3/6/00	APPROVED KJT	DATE 3/6/00
<b>A</b>		201-351-0000H	SHT. 1 OF 1 REV. C