

Housing - HC-EVO-B06-HLFS-EL-AL



1411448

<https://www.phoenixcontact.com/us/products/1411448>

Please be informed that the data shown in this PDF document is generated from our Online Catalog. Please find the complete data in the user documentation. Our General Terms of Use for Downloads are valid.



HEAVYCON EVO sleeve housing, EMC version, without powder coating, with bayonet flange for EVO screw connection, B6, for single locking latch, height: 64 mm, without EVO screw connection.

Your advantages

- Flexible cable outlet direction, lateral or straight

Commercial Data

Item number	1411448
Packing unit	1 pc
Minimum order quantity	1 pc
Sales Key	B10
Product Key	BF7APM
Catalog Page	Page 599 (C-2-2019)
GTIN	4046356932462
Weight per Piece (including packing)	124.7 g
Weight per Piece (excluding packing)	122.6 g
Customs tariff number	85389099
Country of origin	DE

1411448

<https://www.phoenixcontact.com/us/products/1411448>

Technical Data

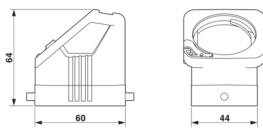
Notes

General	For contact inserts HC-B6, BB10, DD24, M
---------	--

Product properties

Type	B6
Product type	Housing with locking latch
Application	Standard
No. of cable outlets	1
Housing type	Sleeve housing
Locking type	for single locking latch
Cable outlet	straight
Pg screw connection	none

Dimensions

Dimensional drawing	
Width	49 mm
Height	60.5 mm
Length	60 mm

Material specifications

Color	gray aluminum
Housing surface material	uncoated
Impact strength	IK08
Housing material	Die-cast aluminum, salt water resistant

Ambient conditions

Degree of protection	IP66
	IP67
Degree of protection	4 (UL 50e)
	4X (UL 50e)
	12 (UL 50e)
Impact strength	IK08
Ambient temperature (operation)	-40 °C ... 125 °C

Mechanical properties

Mechanical data

Locking type	Pin
--------------	-----

Mounting

Assembly instructions

The sleeve base housing must be supplemented with the EVO screw connection. The EVO screw connection is available in 4 sizes. It enables the creation of a straight or a lateral cable outlet. The EVO screw connection is assembled by hand or using a pipe wrench.

Housing - HC-EVO-B06-HLFS-EL-AL

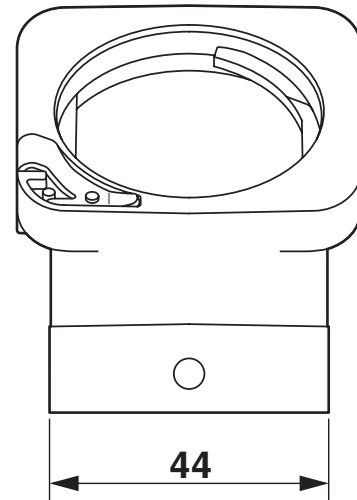
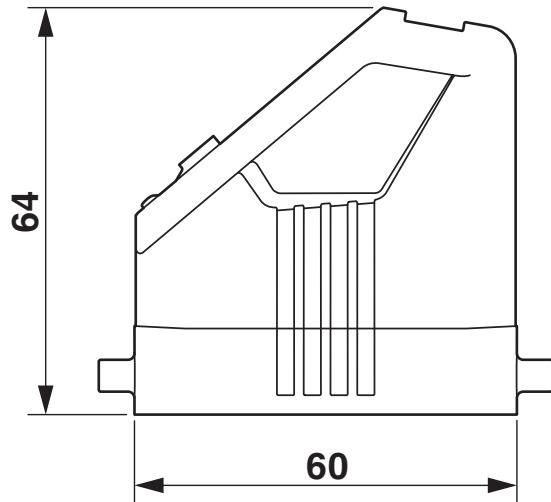


1411448

<https://www.phoenixcontact.com/us/products/1411448>

Drawings

Dimensional drawing



Dimensional drawing

1411448

<https://www.phoenixcontact.com/us/products/1411448>

Approvals

DNV

Approval ID: TAE000037S



cUL Recognized

Approval ID: E255026



UL Recognized

Approval ID: E255026



EAC

Approval ID: RU C-DE.AI30.B.01102



EAC

Approval ID: RU C-DE.BL08.B.00511

cULus Recognized

1411448

<https://www.phoenixcontact.com/us/products/1411448>

Classifications

ECLASS

ECLASS-9.0	27440202
ECLASS-10.0.1	27440202
ECLASS-11.0	27440202

ETIM

ETIM 8.0	EC000437
----------	----------

UNSPSC

UNSPSC 21.0	31261500
-------------	----------

Housing - HC-EVO-B06-HLFS-EL-AL



1411448

<https://www.phoenixcontact.com/us/products/1411448>

Environmental Product Compliance

China RoHS	Environmentally friendly use period: unlimited = EFUP-e
	No hazardous substances above threshold values

Housing - HC-EVO-B06-HLFS-EL-AL

1411448

<https://www.phoenixcontact.com/us/products/1411448>

Accessories

Cable gland

Cable gland - HC-B-G-M20-EC-AL - 1411439

<https://www.phoenixcontact.com/us/products/1411439>



EVO EMC cable gland with bayonet locking, B series, size M20, cable diameter:
9 ... 13 mm

Cable gland

Cable gland - HC-B-G-M25-EC-AL - 1411446

<https://www.phoenixcontact.com/us/products/1411446>



EVO EMC cable gland with bayonet locking, B series, size M25, cable diameter:
11 - 16 mm

Housing - HC-EVO-B06-HLFS-EL-AL

1411448

<https://www.phoenixcontact.com/us/products/1411448>



Cable gland

Cable gland - HC-B-G-M32-EC-AL - 1411440

<https://www.phoenixcontact.com/us/products/1411440>



EVO EMC cable gland with bayonet locking, B series, size M32, cable diameter:
14 - 21 mm

Cable gland

Cable gland - HC-B-G-M20-ER-AL - 1411442

<https://www.phoenixcontact.com/us/products/1411442>



EVO metal cable gland with bayonet locking, B series, size M20, cable diameter:
7 - 13 mm

Housing - HC-EVO-B06-HLFS-EL-AL

1411448

<https://www.phoenixcontact.com/us/products/1411448>

Plastic label

Plastic label - US-EMLP-HA (20X9) - 0830989

<https://www.phoenixcontact.com/us/products/0830989>



Plastic label, Card, white, unlabeled, can be labeled with: BLUEMARK ID COLOR, BLUEMARK ID, THERMOMARK PRIME, THERMOMARK CARD 2.0, THERMOMARK CARD, mounting type: adhesive, lettering field size: 20 x 9 mm, Number of individual labels: 70

Cable gland

Cable gland - HC-B-G-M25-ER-AL - 1411443

<https://www.phoenixcontact.com/us/products/1411443>



EVO metal cable gland with bayonet locking, B series, size M25, cable diameter: 11 - 16 mm

Housing - HC-EVO-B06-HLFS-EL-AL

1411448

<https://www.phoenixcontact.com/us/products/1411448>



Cable gland

Cable gland - HC-B-G-M32-ER-AL - 1411444

<https://www.phoenixcontact.com/us/products/1411444>



EVO metal cable gland with bayonet locking, B series, size M32, cable diameter:
14 - 21 mm

Cable gland

Cable gland - HC-B-G-M40-ER-AL - 1411445

<https://www.phoenixcontact.com/us/products/1411445>



EVO metal cable gland with bayonet locking, B series, size M40, cable diameter:
19 - 27 mm

Housing - HC-EVO-B06-HLFS-EL-AL

1411448

<https://www.phoenixcontact.com/us/products/1411448>

Cable gland

Cable gland - HC-B-G-M40-EC-AL - 1411441

<https://www.phoenixcontact.com/us/products/1411441>



EVO EMC cable gland with bayonet locking, B series, size M40, cable diameter:
19 - 27 mm

Protective cover

Protective cover - HC-B06-HCLWS-PLR-BK - 1414634

<https://www.phoenixcontact.com/us/products/1414634>



Protective cover B6, with single locking latch, protective cover material: PA,
height: 21.6 mm, seal: yes, diameter of retaining cord eyelet: 30 mm

Phoenix Contact 2022 © - all rights reserved
<https://www.phoenixcontact.com>

Phoenix Contact USA
586 Fulling Mill Road
Middletown, PA 17057, United States
(+717) 944-1300
info@phoenixcon.com