



# RL-9710

## LOW PROFILE SMD POWER INDUCTOR

### DESCRIPTION

- SMD Power Inductor

### ENVIRONMENTAL DATA

- Storage temperature range: -55°C to +130°C
- Operating temperature range: -40°C to +130°C

### PACKAGING INFORMATION

- Packaging information: pg. 507

### FEATURES & APPLICATIONS

- Low profile surface mount inductors in a small-package size
- Excellent as a power inductor used in notebook computers and other electronic equipment requiring compact and low-loss inductors
- Available in 11 values with inductance ratings from 1.0  $\mu\text{H}$  to 47  $\mu\text{H}$  and currents up to 1.80 A

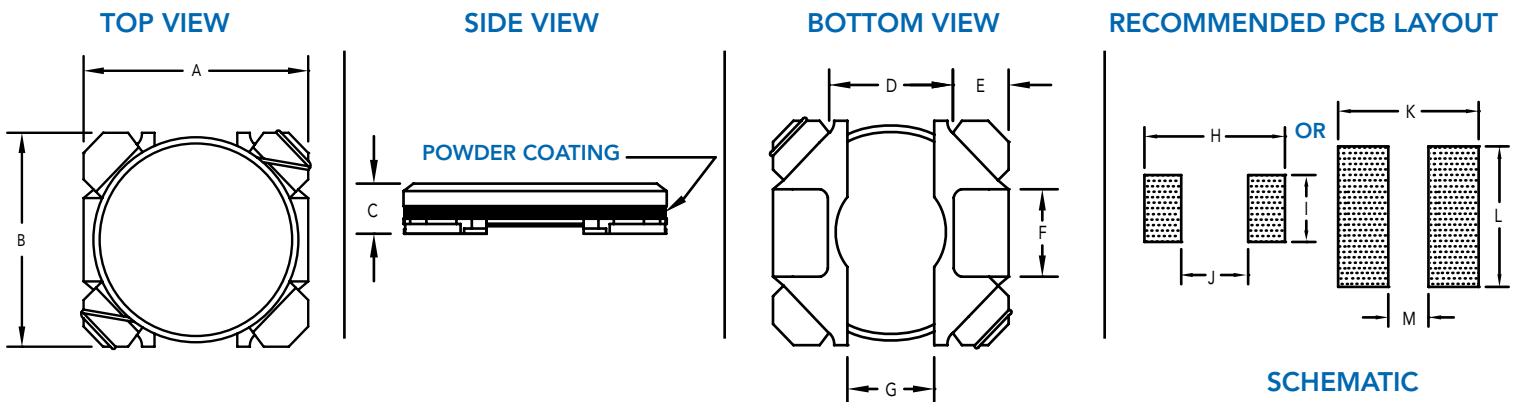
Verify operation with sample in actual circuit. Order samples at [www.rencousa.com](http://www.rencousa.com).

### MECHANICAL DIMENSIONS

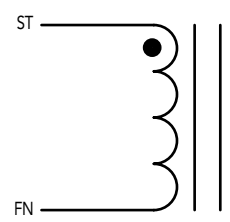
U.S. Standard (mm)

PART NUMBER	A (MAX.)	B (MAX.)	C (MAX.)	D (TYP.)	E (TYP.)	F (TYP.)	G (TYP.)
RL-9710	0.204 (5.20)	0.200 (5.10)	0.040 (1.00)	0.110 (2.70)	0.050 (1.16)	0.080 (2.00)	0.059 (1.50)

PART NUMBER	PART WEIGHT	H (REF.)	I (REF.)	J (REF.)	K (REF.)	L (REF.)	M (REF.)
RL-9710	1.0g (0.04oz)	0.212 (5.40)	0.094 (2.40)	0.984 (2.50)	0.212 (5.40)	0.212 (5.40)	0.055 (1.40)



### SCHEMATIC



# RL-9710

Renco Part No. RL-9710	Inductance ( $\mu$ H)	DCR Max. (Ohms)	Isat (A)	Irms (A)
RL-9710-1R0N	1.0 $\pm$ 30%	0.059	1.80	1.90
RL-9710-1R5N	1.5 $\pm$ 30%	0.075	1.50	1.70
RL-9710-2R2N	2.2 $\pm$ 30%	0.090	1.20	1.60
RL-9710-3R3N	3.3 $\pm$ 30%	0.120	1.05	1.45
RL-9710-4R7M	4.7 $\pm$ 20%	0.140	0.80	1.35
RL-9710-6R8M	6.8 $\pm$ 20%	0.180	0.70	1.20
RL-9710-100M	10.0 $\pm$ 20%	0.220	0.65	1.10
RL-9710-150M	15.0 $\pm$ 20%	0.310	0.53	0.93
RL-9710-220M	22.0 $\pm$ 20%	0.450	0.47	0.75
RL-9710-330M	33.0 $\pm$ 20%	0.680	0.35	0.57
RL-9710-470M	47.0 $\pm$ 20%	1.100	0.30	0.45

#### NOTES:

1. Isat - DC CURRENT THAT WILL CAUSE INDUCTANCE TO DROP BY 30%
2. Irms - CURRENT THAT CAUSES THE TEMPERATURE TO RISE APPROX. 40°C ABOVE AMBIENT OF 25°C
3. ELECTRICAL SPECIFICATIONS MEASURED AT 25°C
4. RESISTANCE TO SOLDER HEAT: 260°C FOR 10 SECONDS
5. INDUCTANCE TESTED AT 100 kHz, 0.1Vrms



**RENCO ELECTRONICS INC.**

595 International Place, Rockledge, FL 32955-4200 USA • [www.rencousa.com](http://www.rencousa.com) • ISO 9001 Certified  
Toll Free Engineering Hot Line: 800.645.5828 • P: 321.637.1000 • F: 321.637.1600

