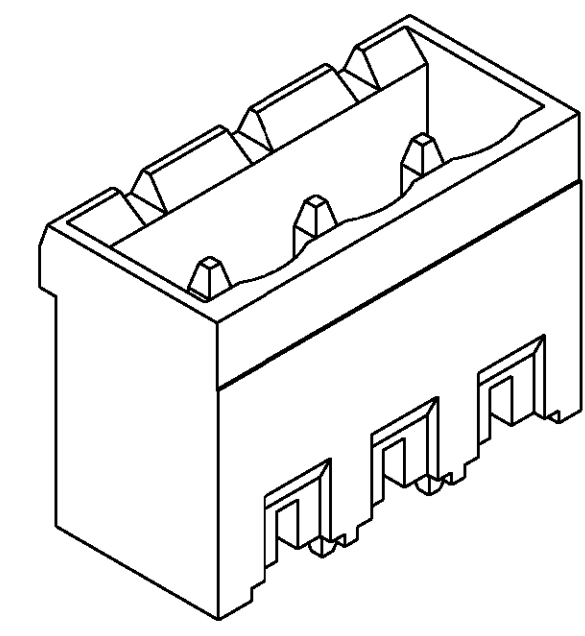
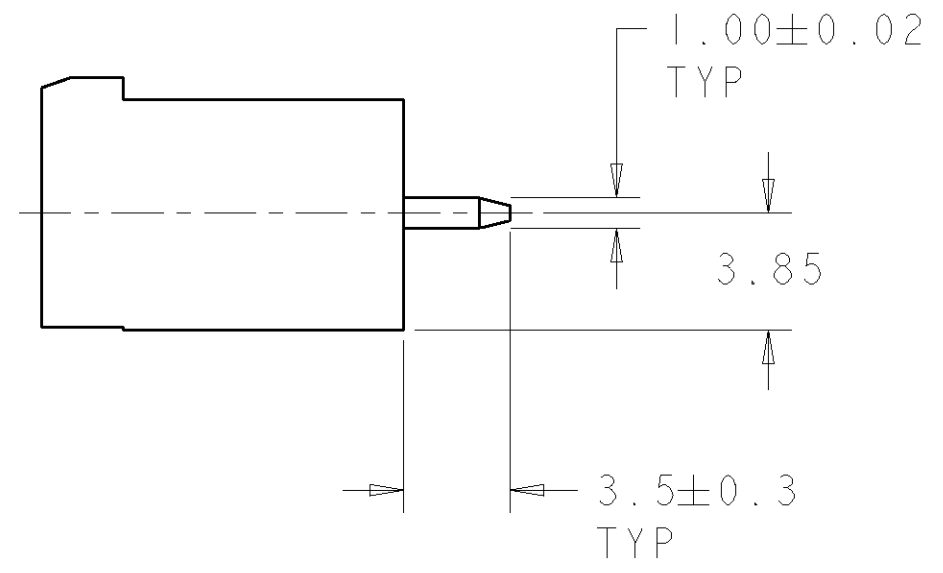
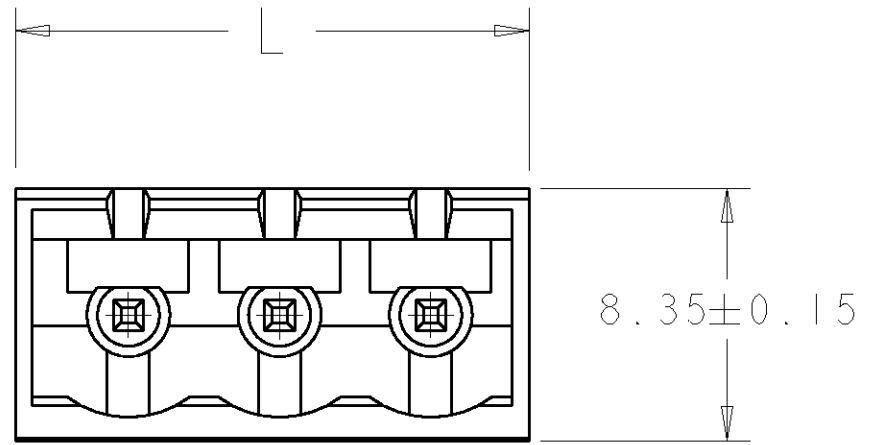
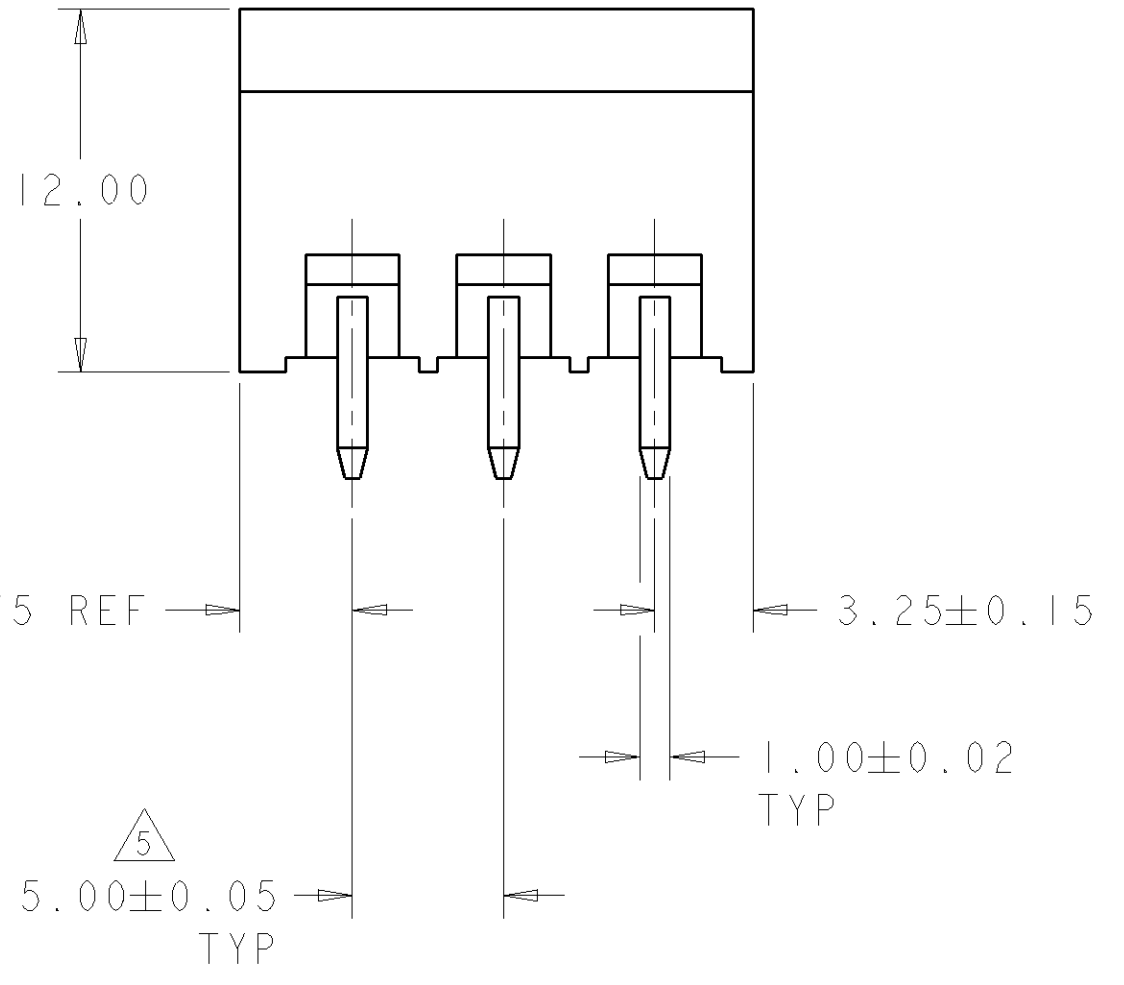


THIS DRAWING IS UNPUBLISHED. RELEASED FOR PUBLICATION 20
 © COPYRIGHT 20 BY TYCO ELECTRONICS CORPORATION. ALL RIGHTS RESERVED.

| LOC | DIST | REVISIONS | | | |
|-----|------|-------------|----------|-----------|-------|
| P | LTR | DESCRIPTION | DATE | DWN | APVD |
| FT | 0 | A | RELEASED | 02MAR2001 | SW DB |

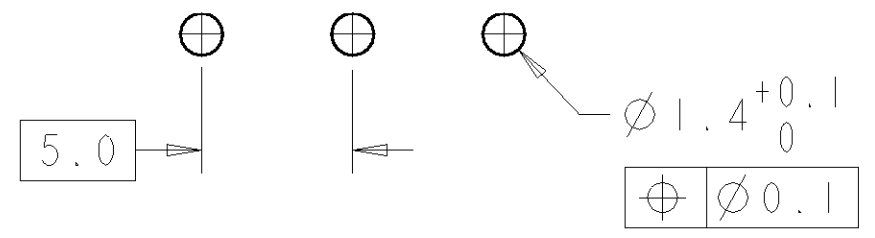


796699-3 AS SHOWN



- △ MATERIALS AND FINISH:
 HOUSING: PA 6-6, UL 94-V0, COLOR: BLUE.
 TERMINAL: PHOSPHOR BRONZE, TIN PLATED.
- SUITABLE FOR 1,6-2, 4mm PC BOARD THICKNESS.
 - RECOGNIZED UNDER THE COMPONENT PROGRAM OF UNDERWRITERS LABORATORIES INC. FILE N° E60677.
 - IMQ CERTIFICATE WITH SURVEILLANCE IN CONFORMITY WITH IEC 998-1/998-2-1.)

△ NOT CUMULATIVE TOLERANCE



RECOMMENDED PC BOARD LAYOUT

| DIM L | NO OF POSN | PART NUMBER |
|-------|------------|-------------|
| 127.0 | 25 | 2-796699-5 |
| 122.0 | 24 | 2-796699-4 |
| 117.0 | 23 | 2-796699-3 |
| 112.0 | 22 | 2-796699-2 |
| 107.0 | 21 | 2-796699-1 |
| 102.0 | 20 | 2-796699-0 |
| 97.5 | 19 | 1-796699-9 |
| 92.0 | 18 | 1-796699-8 |
| 87.0 | 17 | 1-796699-7 |
| 82.0 | 16 | 1-796699-6 |
| 77.0 | 15 | 1-796699-5 |
| 72.0 | 14 | 1-796699-4 |
| 67.0 | 13 | 1-796699-3 |
| 62.0 | 12 | 1-796699-2 |
| 57.0 | 11 | 1-796699-1 |
| 52.0 | 10 | 1-796699-0 |
| 47.0 | 9 | 796699-9 |
| 42.0 | 8 | 796699-8 |
| 37.0 | 7 | 796699-7 |
| 32.0 | 6 | 796699-6 |
| 27.0 | 5 | 796699-5 |
| 22.0 | 4 | 796699-4 |
| 17.0 | 3 | 796699-3 |
| 12.0 | 2 | 796699-2 |

| | | | |
|---|---|---|---|
| THIS DRAWING IS A CONTROLLED DOCUMENT FOR TYCO ELECTRONICS CORPORATION. IT IS SUBJECT TO CHANGE AND THE CONTROLLING ENGINEERING ORGANIZATION SHOULD BE CONTACTED FOR THE LATEST REVISION. | | DWN: S. WELDON 02MAR2001 CHK: D. BIEVENOUR 02MAR2001 APVD: D. BIEVENOUR 02MAR2001 | Tyco Electronics Harrisburg, PA 17105-3608 |
| DIMENSIONS: mm TOLERANCES UNLESS OTHERWISE SPECIFIED: 0 PLC ± 1 PLC ±0.2 2 PLC ± 3 PLC ± 4 PLC ± ANGLES ± FINISH | PRODUCT SPEC: - APPLICATION SPEC: - WEIGHT: - | NAME: TERMINAL BLOCK HEADER ASSEMBLY, 180 DEGREE, CLOSED ENDS, 5.00mm PITCH SIZE: A2 CAGE CODE: 00779 DRAWING NO: 796699 | RESTRICTED TO: - SCALE: 4:1 SHEET: 1 OF 1 REV: A |
| MATERIAL: | | CUSTOMER DRAWING | |