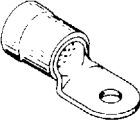
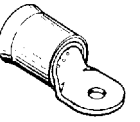
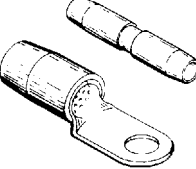
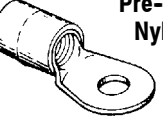
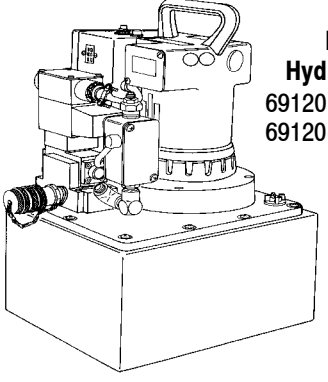


DESCRIPTION	WIRE SIZE	HYDRAULIC TOOLING 69120- [], 314979, 122271-1		PNEUMATIC TOOLING			TAPE TOOLING			HEAVY HEAD HAND TOOL
		Dies for 69051 59974-1	Dies for 69066 58422-1	Heads for 626	Heads for 69015	Jaws for 68068- []	Dies for 68250-1	Dies for 68354-1	Dies for 69875	
Terminal/Splice Color Code <div style="display: flex; justify-content: space-around; font-size: 8px;"> Red Blue Yellow </div>	8	48752-1 47820	48858-1 47236-1†	217942-1 L		68229-1	68247-1●	68355-1	68116-1▲	69959
	6	48753-1 47821●	48859-1 47237-1†			68325-1	68233-1	68248-1●		
	4	48754-1 47822●	48860-1 47238-1†			314991-1		68249-1●		
	2	48755-1 47823●	48861-1 47239-1†							
	1/0		48756-1 47824● 47378-1†							
	2/0		48757-1 47825●							
PLASTI-GRIP* Terminals 	3/0		48758-1 47915●							
	4/0		48759-1 47918●							
	8	48752-1	48858-1 47236-1†	217942-1 L				68355-1	68116-1▲	69959
	6	48753-1	48859-1 47237-1†			68325-1				
	4	48754-1	48860-1 47238-1†			314991-1				
	2	48755-1	48861-1 47239-1†							
AMPLI-BOND* Terminals 	1/0		48756-1 47378-1†							
	2/0		48757-1							
	3/0		48758-1							
	4/0		48759-1							
	8	47820●					68247-1●			
	6	47821●					68248-1●			
TERMINYL* Terminals and Splices 	4	47822●					68249-1●			
	2	47823●								
	1/0		47824●							
	2/0		47825●							
	3/0		47915●							
	4/0		47918●							
Pre-Insulated Nylon H.D. 	4		69463●							

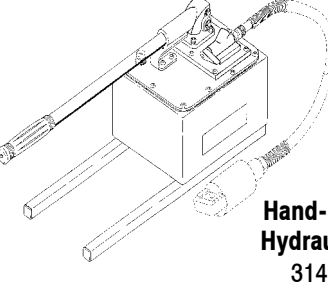
● No insulation crimp
 † Large expansion
 ▲ Foot pedal operation only

TOOLING AND ACCESSORIES

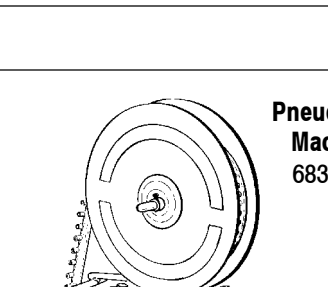
Hydraulic



DYNA-CRIMP* Hydraulic Power Units
 69120-1 (115 VAC - 60 Hz)
 69120-2 (230 VAC - 60 Hz)



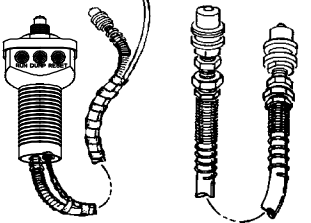
Battery-Operated Hydraulic Unit
 122271-1



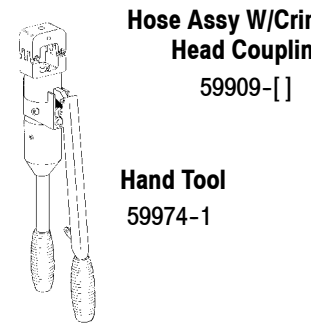
Hand-Operated Hydraulic Pump
 314979-1

Handle Control W/Hose and Cord

59907-[]



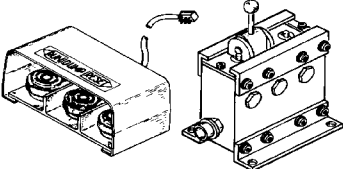
Hose Assy W/Crimping Head Coupling
 59909-[]



Hand Tool
 59974-1

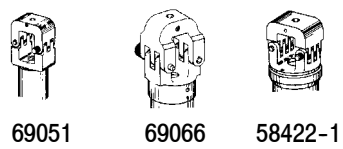
Foot Control

68284-1



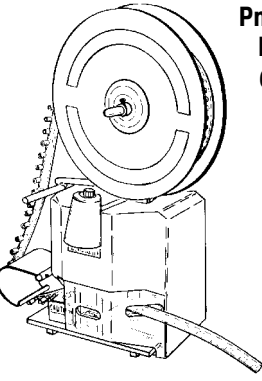
3-Way Multidirectional Valve
 59220 (No Safety Sw)
 59220-2 (W/Safety Sw)

Hydraulic Crimping Heads

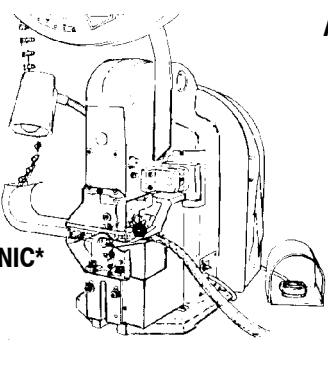


69051 69066 58422-1

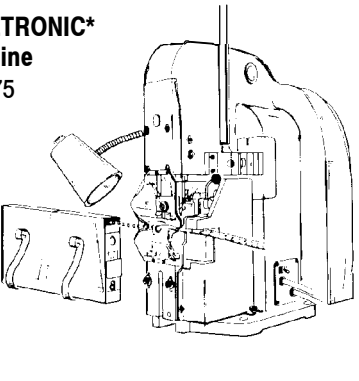
Tape Machines



Pneudraulic Machine
 68354-1

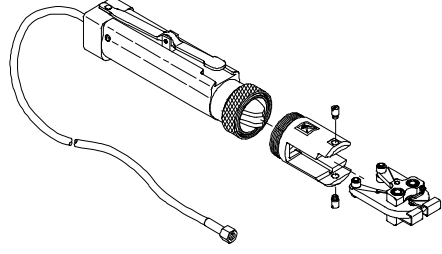


AMP-TAPETRONIC* Machine
 68250-1



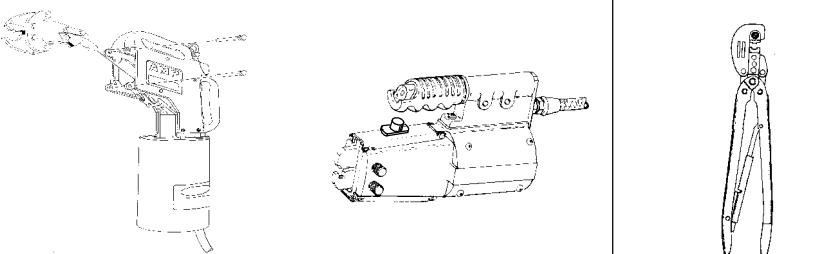
AMP-TAPETRONIC* Machine
 69875

Pneumatic



626 Pneumatic Tooling Systems

Hand Tool



Heavy Head Tool