

B72230M0511M401^{New}
Product



Applications	Communications Communication Systems
	Industrial Industrial
Type	MT30K510M4
Status	Production



Size	
W (Width)	34.00mm Max.
T (Thickness)	14.00mm Max.
H (Height)	28.00mm Max.
Detail Size Information	Please refer to the catalog

Electrical Characteristics	
Varistor Voltage @ 1mA	820V
Maximum Operating Voltage [DC]	670V
Maximum Operating Voltage [AC]	499Vrms
Nominal Discharge Current In [8/20μs, 15times]	15kA
Maximum Surge Current I _{max} [8/20μs, 1time]	25kA
Energy Absorption	750J
Capacitance (Typ.)	950pF

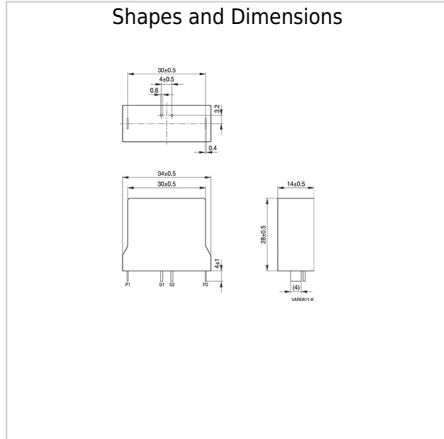
Other	
Operating Temperature Range	Please refer to the catalog
Soldering Method	Please refer to the document (Soldering Instructions)
Packing Information	Please refer to the document (Taping, Packaging and Lead Configuration)

! Images are for reference only and show exemplary products.
! This PDF document was created based on the data listed on the TDK Corporation website.
! All specifications are subject to change without notice.

B72230M0511M401^{New}
Product



Associated Images



! Images are for reference only and show exemplary products.
! This PDF document was created based on the data listed on the TDK Corporation website.
! All specifications are subject to change without notice.