



Features

- Switching capacity up to 20A
- Small size and light weight
- PCB pin and quick connect mounting available
- Suitable for automobile and lamp accessories
- QS-9000, ISO-9002 Certified Manufacturing

Contact Data*

Contact Arrangement	1A = SPST N.O. 1B = SPST N.C.
Contact Rating	1A : 20A @ 14VDC 1B : 15A @ 14VDC

Contact Resistance	< 50 milliohms initial
Contact Material	AgSnO ₂
Maximum Switching Power	280W
Maximum Switching Voltage	75VDC
Maximum Switching Current	30A

Coil Data*

Coil Voltage VDC		Coil Resistance Ω +/- 10%	Pick Up Voltage VDC (max) 70% of rated voltage	Release Voltage VDC (min) 10% of rated voltage	Coil Power W	Operate Time ms	Release Time ms
Rated	Max						
12	15.6	124	8.40	1.2	1.16	10	7
24	31.2	489	16.80	2.4			

General Data*

Electrical Life @ rated load	100K cycles, average
Mechanical Life	10M cycles, average
Insulation Resistance	100M Ω min. @ 500VDC initial
Dielectric Strength, Coil to Contact	1500V rms min. @ sea level initial
Contact to Contact	1000V rms min. @ sea level initial
Shock Resistance	100m/s ² for 11 ms
Vibration Resistance	1.27mm double amplitude 10~40Hz
Terminal (Copper Alloy) Strength	10N (quick connect), 4N (PCB pins)
Operating Temperature	-40°C to +85°C
Storage Temperature	-40°C to +155°C
Solderability	260°C for 5 s
Weight	14g

* Values can change due to the switching frequency, desired reliability levels, environmental conditions and in-rush load levels. It is recommended to test actual load conditions for the application. It is the user's responsibility to determine the performance suitability for their specific application. The use of any coil voltage less than the rated coil voltage may compromise the operation of the relay.

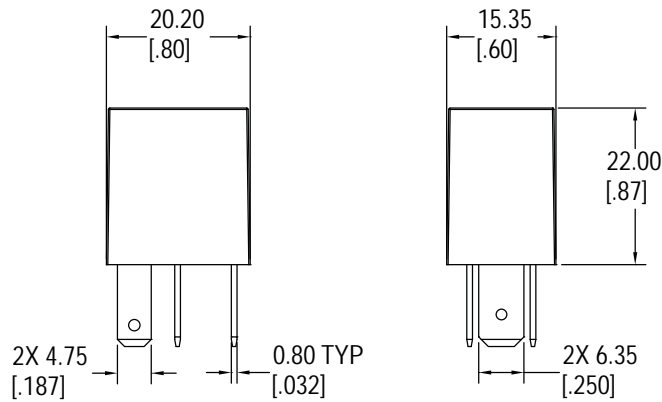
A1M

Ordering Information

1. Series	A1M	1A	C	Q	12VDC
A1M					
2. Contact Arrangement					
1A = SPST N.O.					
1B = SPST N.C.					
3. Sealing Option					
C = Dust Cover					
4. Termination					
Q = Quick Connect					
5. Coil Voltage					
12VDC					
24VDC					
6. Coil Suppression					
Blank = Standard					
D = Diode (1N4005)					
R = Resistor (680 ohms)					
** Consult factory if other values are needed					

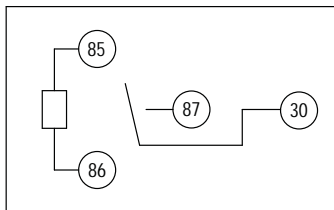
Dimensions

Units = mm

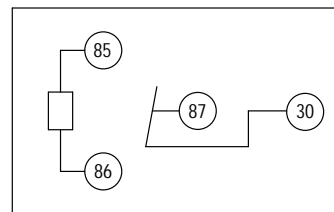


Schematics & PC Layouts

Bottom Views



1A



1B