

40 x 40 x 10mm High Quality DC Fan

Features:

- 40mm fans are great for cooling a Northbridge and Southbridge
- Two bearing system selection, sleeve or 1 ball 1 sleeve
- Low noise
- Easy to connect
- Our 40mm fans are perfect for any space-limited cooling needs

Specifications:

Item No.	Bearing System	Rated Voltage (VDC)	Rated Current (AMP)	Input Power (Watt)	Fan Speed (RPM)	Air Flow (CFM)	Static Pressure (Inch-H2O)	Noise Level (dBA)	Dimension (mm)
4010L05S 4010L05B 4010L05D	Sleeve Bearing 1 Ball Bearing 2 Ball Bearings	5V	0.08	0.40	4,000 ± 10%	4.2	0.07	23	40 X 40 X 10 (mm) (1.57" X 1.57" X .39")
4010M05S 4010M05B 4010M05D	Sleeve Bearing 1 Ball Bearing 2 Ball Bearings	5V	0.10	0.50	5,000 ± 10%	5.6	0.10	24	40 X 40 X 10 (mm) (1.57" X 1.57" X .39")
4010H05S 4010H05B 4010H05D	Sleeve Bearing 1 Ball Bearing 2 Ball Bearings	5V	0.16	0.80	6,000 ± 10%	6.2	0.13	26	40 X 40 X 10 (mm) (1.57" X 1.57" X .39")
4010L12S 4010L12B 4010L12D	Sleeve Bearing 1 Ball Bearing 2 Ball Bearings	12V	0.06	0.72	4,000 ± 10%	4.2	0.07	23	40 X 40 X 10 (mm) (1.57" X 1.57" X .39")
4010M12S 4010M12B 4010M12D	Sleeve Bearing 1 Ball Bearing 2 Ball Bearings	12V	0.09	1.08	5,000 ± 10%	5.6	0.10	24	40 X 40 X 10 (mm) (1.57" X 1.57" X .39")
4010H12S 4010H12B 4010H12D	Sleeve Bearing 1 Ball Bearing 2 Ball Bearings	12V	0.12	1.44	6,000 ± 10%	6.2	0.13	26	40 X 40 X 10 (mm) (1.57" X 1.57" X .39")
4010L24S 4010L24B 4010L24D	Sleeve Bearing 1 Ball Bearing 2 Ball Bearings	24V	0.04	0.96	4,000 ± 10%	4.2	0.07	23	40 X 40 X 10 (mm) (1.57" X 1.57" X .39")
4010M24S 4010M24B 4010M24D	Sleeve Bearing 1 Ball Bearing 2 Ball Bearings	24V	0.06	1.44	5,000 ± 10%	5.6	0.10	24	40 X 40 X 10 (mm) (1.57" X 1.57" X .39")
4010H24S 4010H24B 4010H24D	Sleeve Bearing 1 Ball Bearing 2 Ball Bearings	24V	0.10	2.40	6,000 ± 10%	6.2	0.13	26	40 X 40 X 10 (mm) (1.57" X 1.57" X .39")

Connectors:

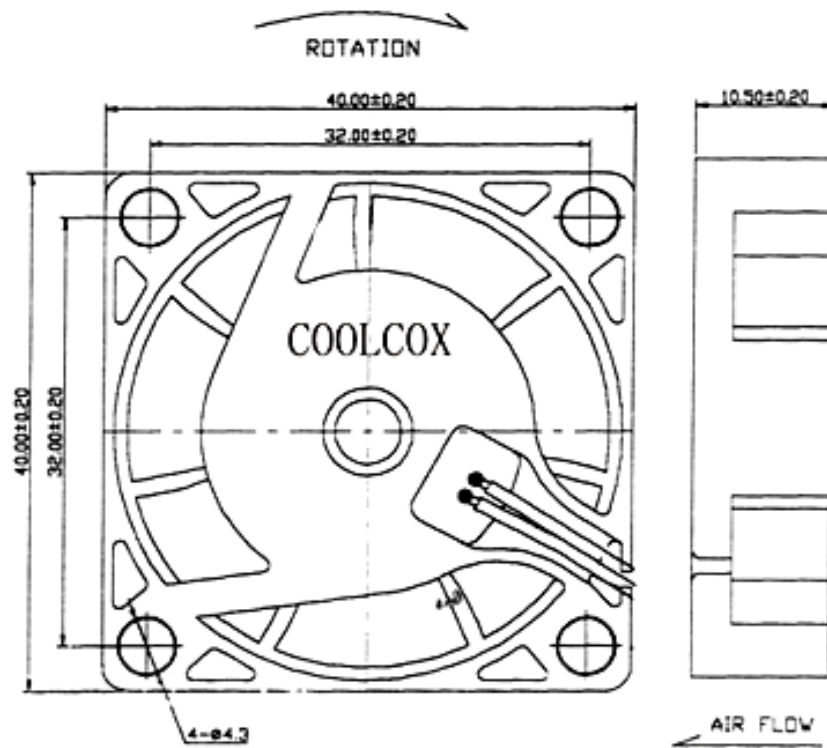
We recommend the below 2 pin, 3pin or 4pin connectors for option



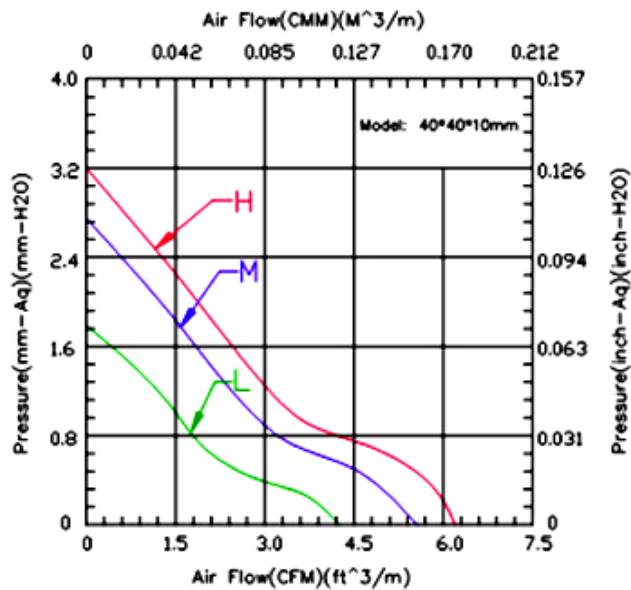
Packing:

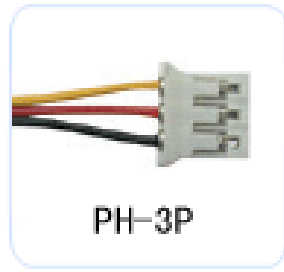
- 900pcs/ctn
- 0.053cbm/ctn

Dimensions:

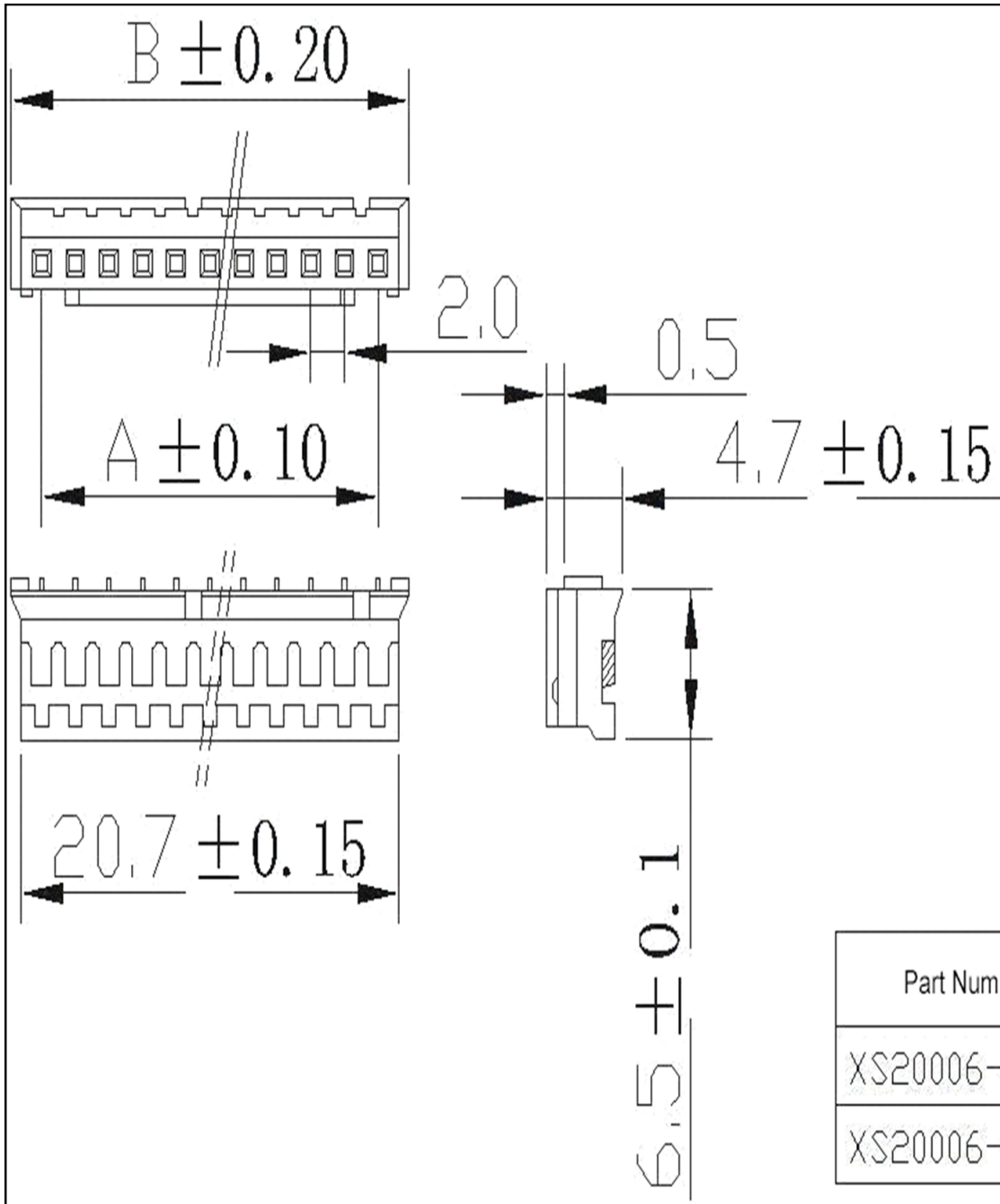


Performance Curves:

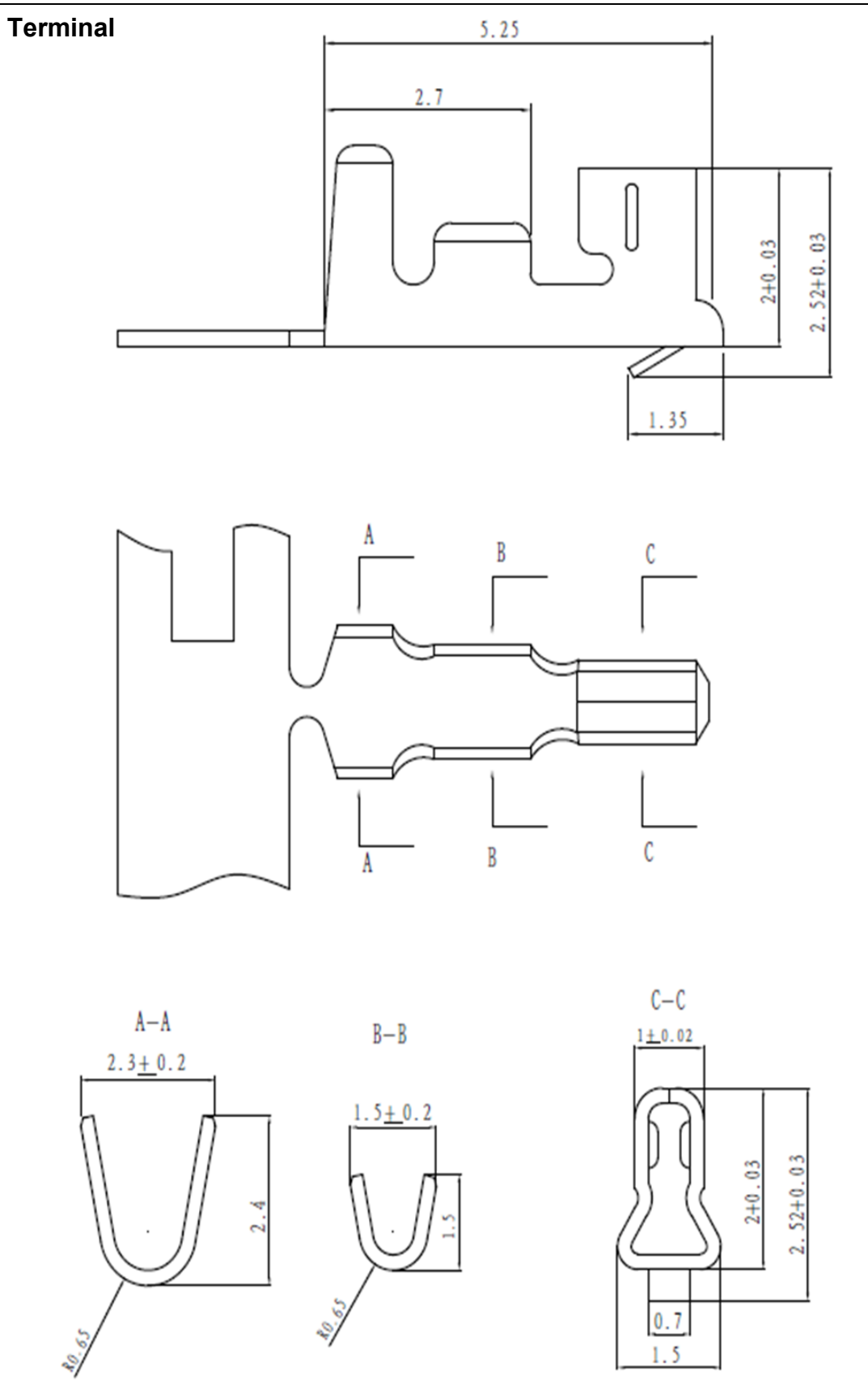
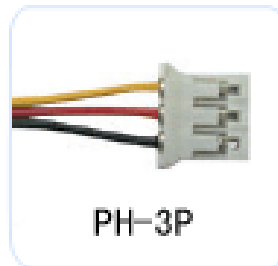


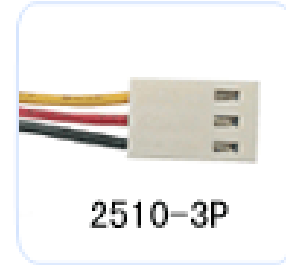


Housing



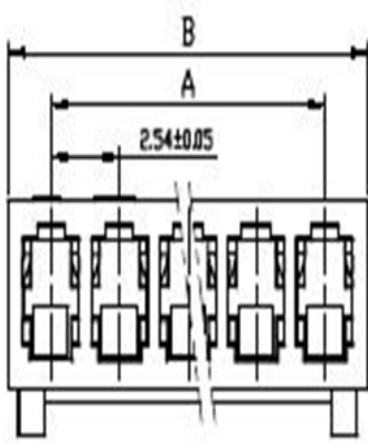
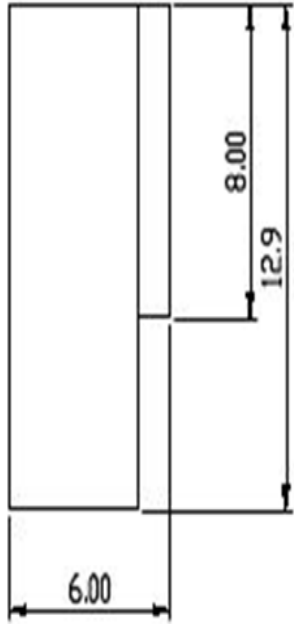
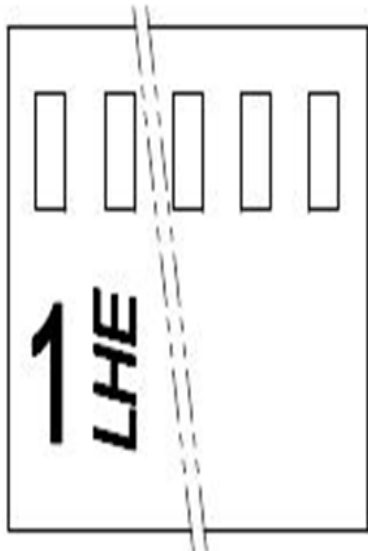
Part Number	A	B
XS20006-2Y	2.0	6.0
XS20006-3Y	4.0	8.0





HOUSING

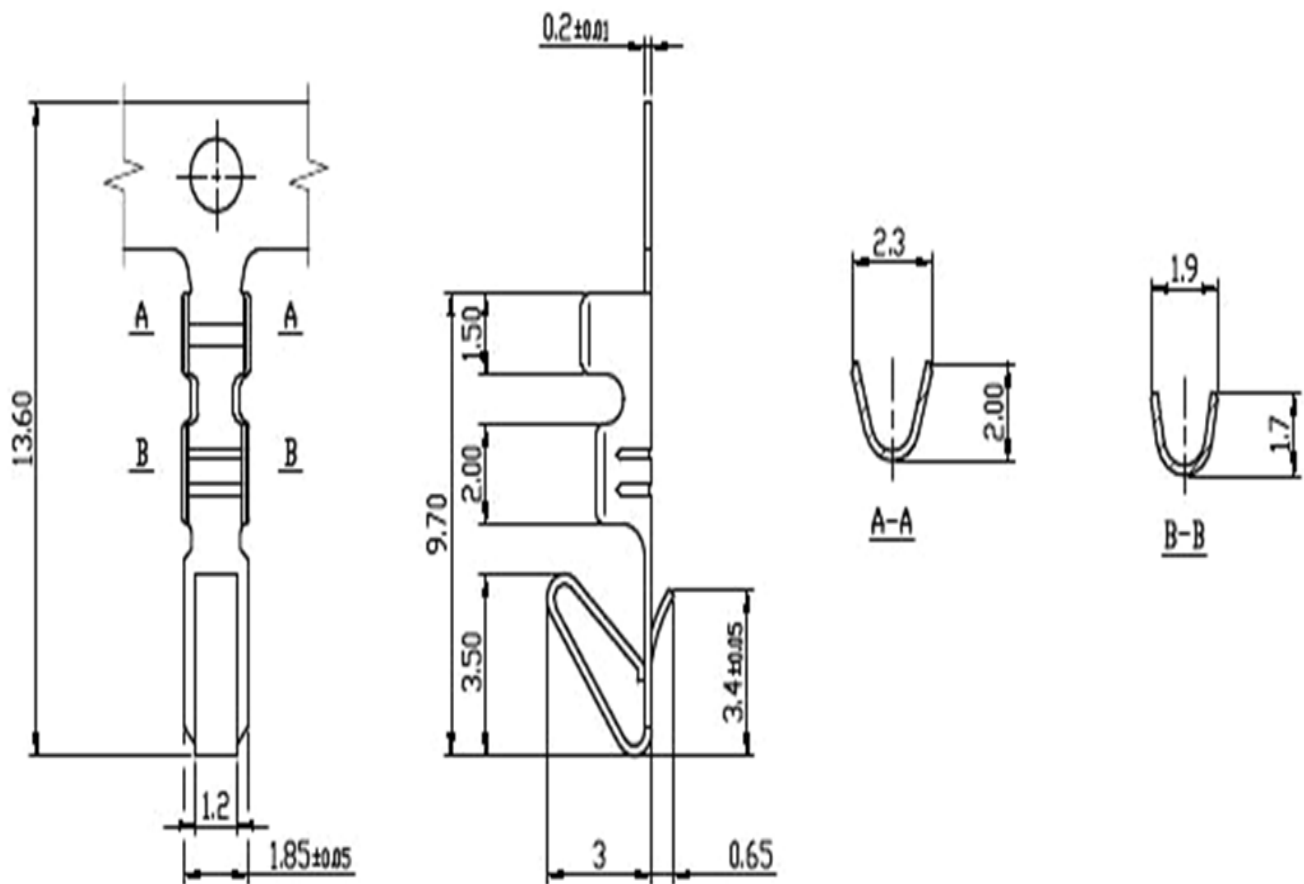
Material: Nylon 66 UL 94V-0



Poles	Part No.	Dimensions mm	
		A	B
2	A2543-H02	2.54	5.76
3	A2543-H03	5.08	8.30



TERMINAL

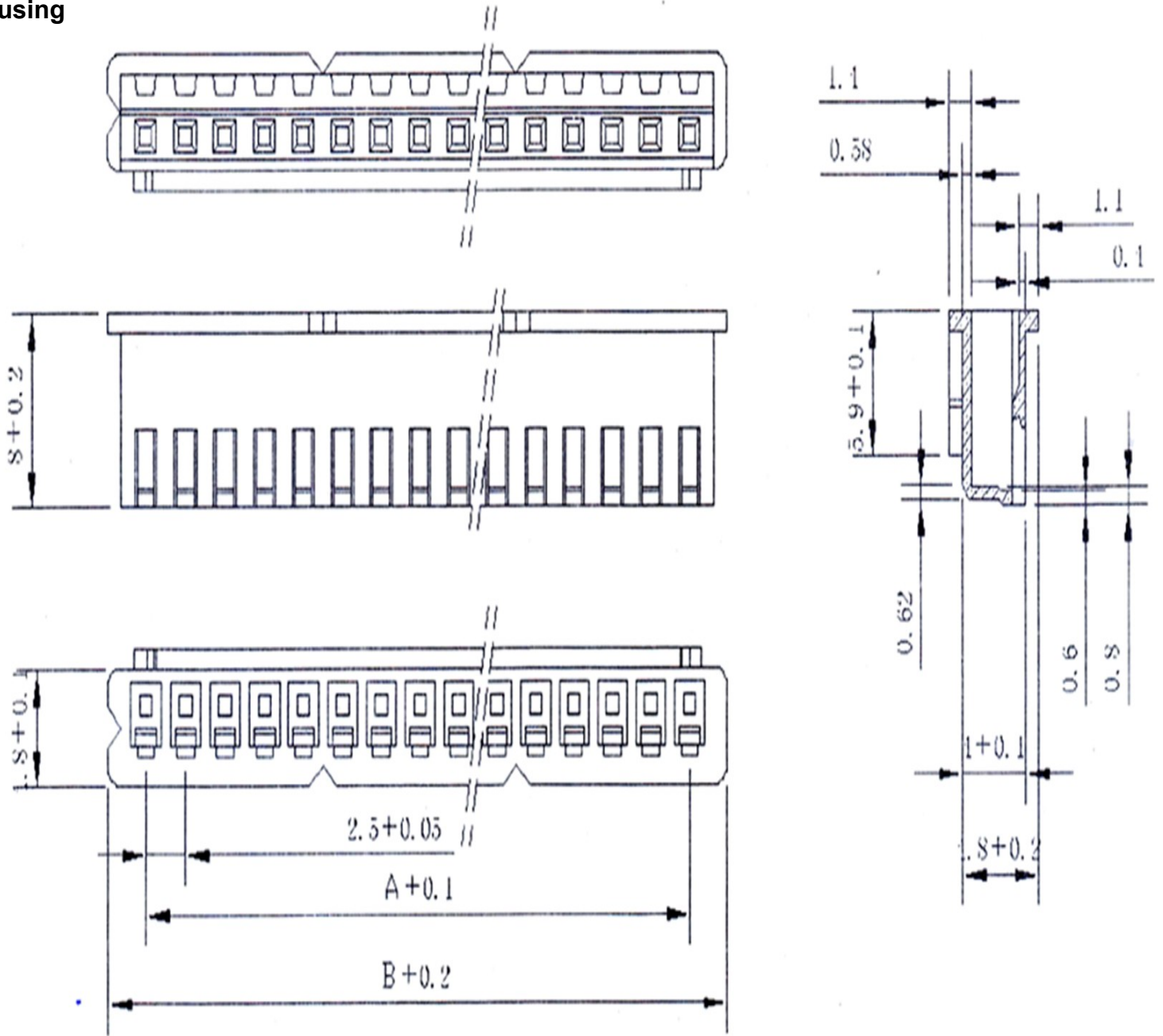


Part No.	Wire Range	Insulation O.D	Material	Finish	Qty/reel
A2543-TP2	AWG #28 to #22	1.2 to 1.9mm	Phosphor bronze	Tin-plated	10,000pcs
A2543-TP8	AWG #28 to #22	1.2 to 1.9mm	Phosphor bronze	Gold.Ni.plated	10,000pcs



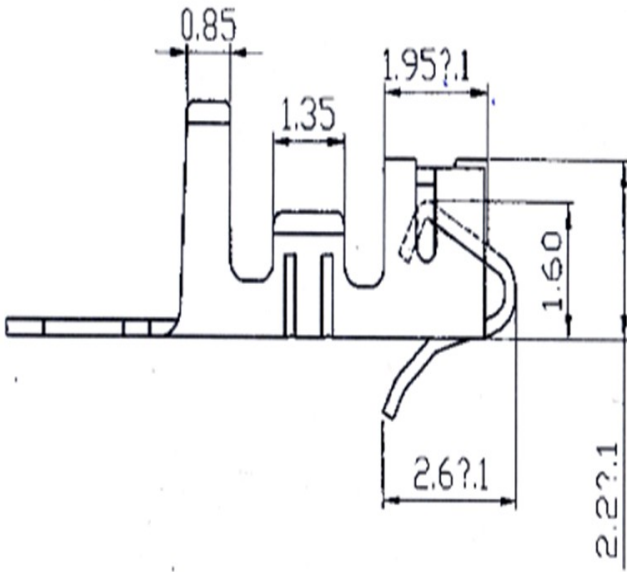
Part No.	Dimension mm	
	A	B
XS25001-2Y	2.5	7.3
XS25001-3Y	5	9.8

Housing

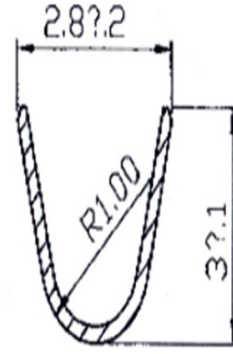




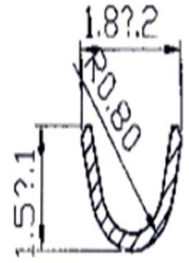
Terminal



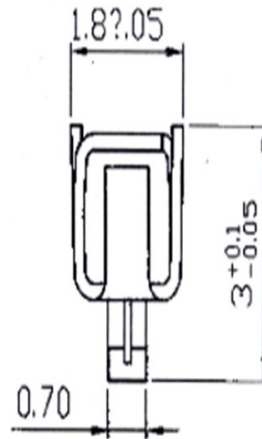
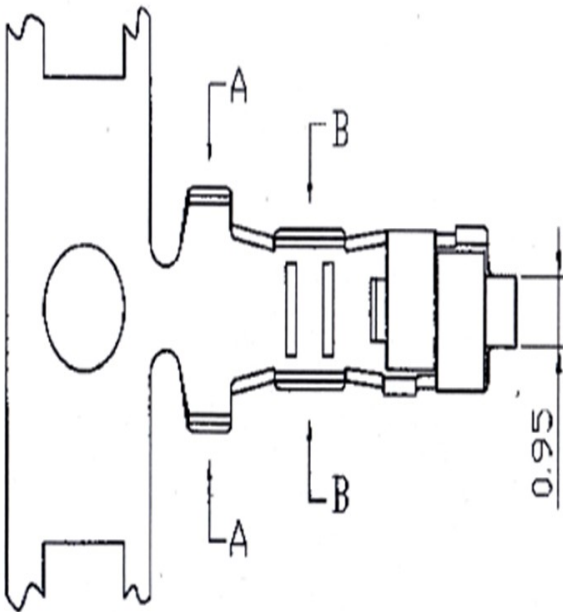
C向



SECTION A-A



SECTION B-B



C向

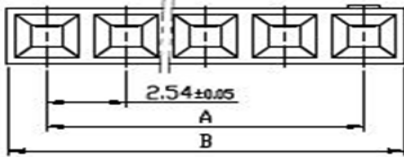
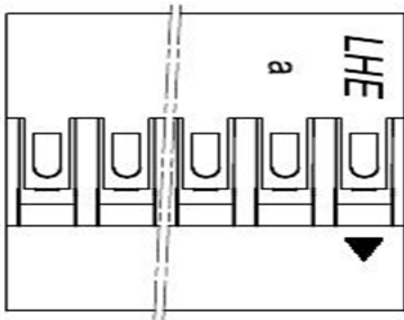


Dupont-2P

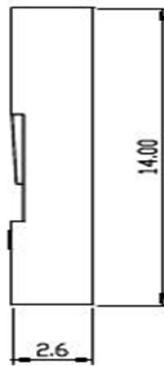
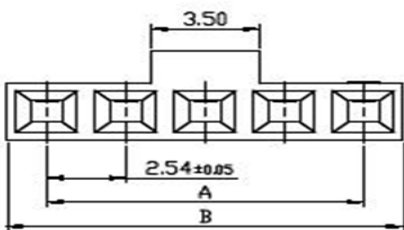
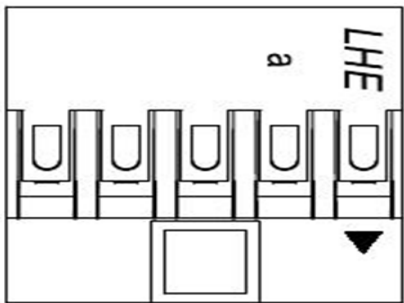
DUPONT-2P

HOUSING

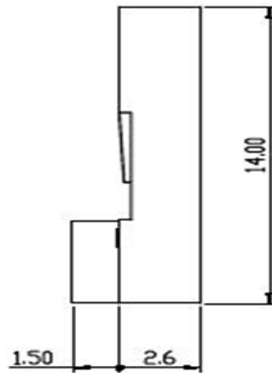
Material: PPO UL 94V-0 & Nylon 66 UL 94V-0



● B-Type:

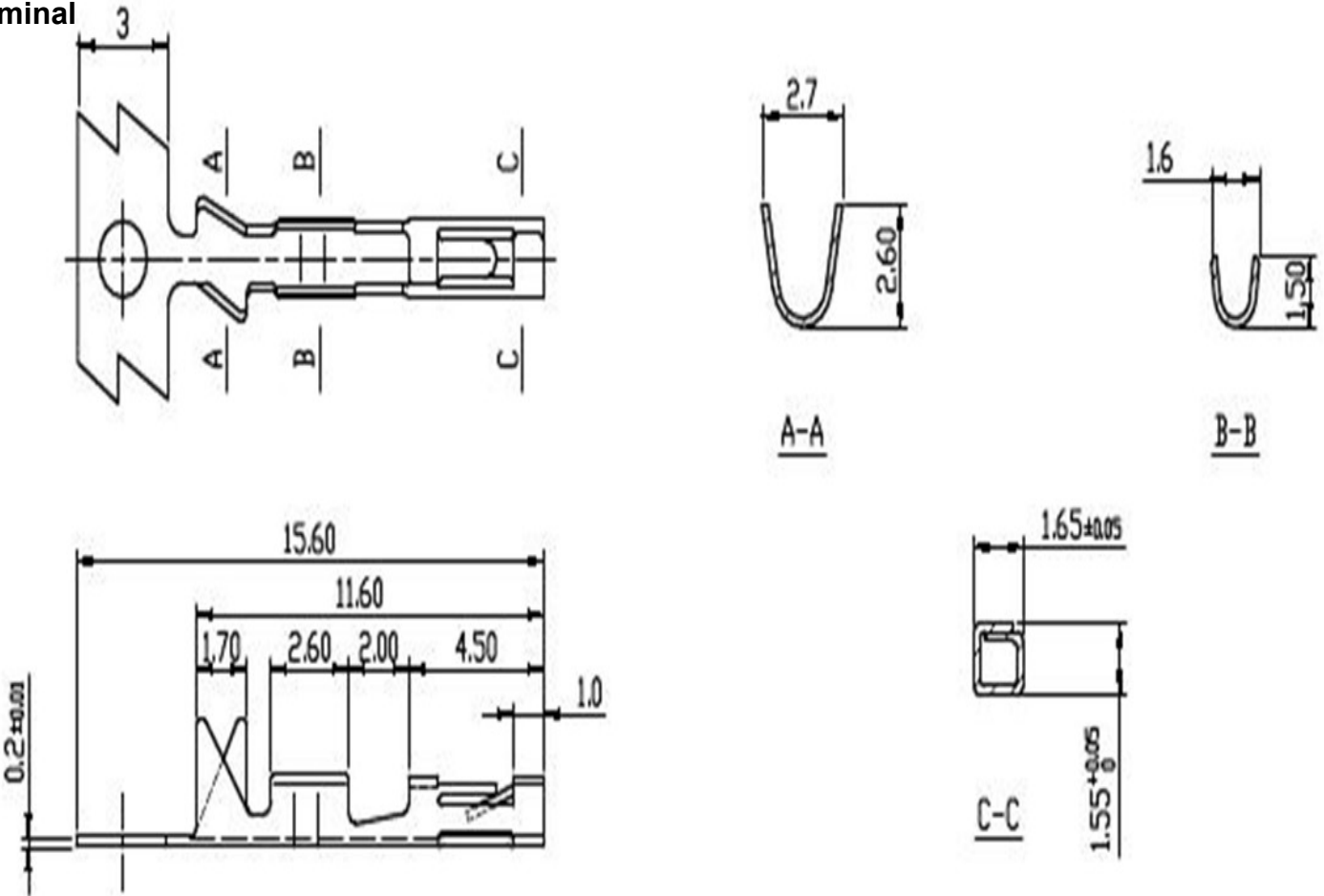


Poles	Part No.	Part No.	Dimensions mm	
			A	B
2	A2541-H02		2.54	5.08

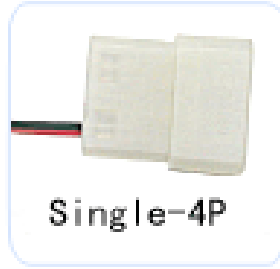




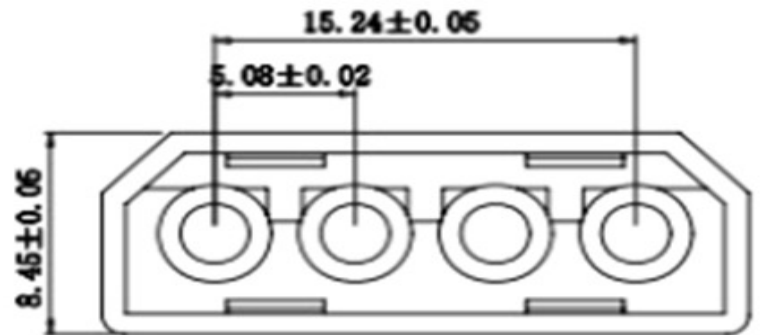
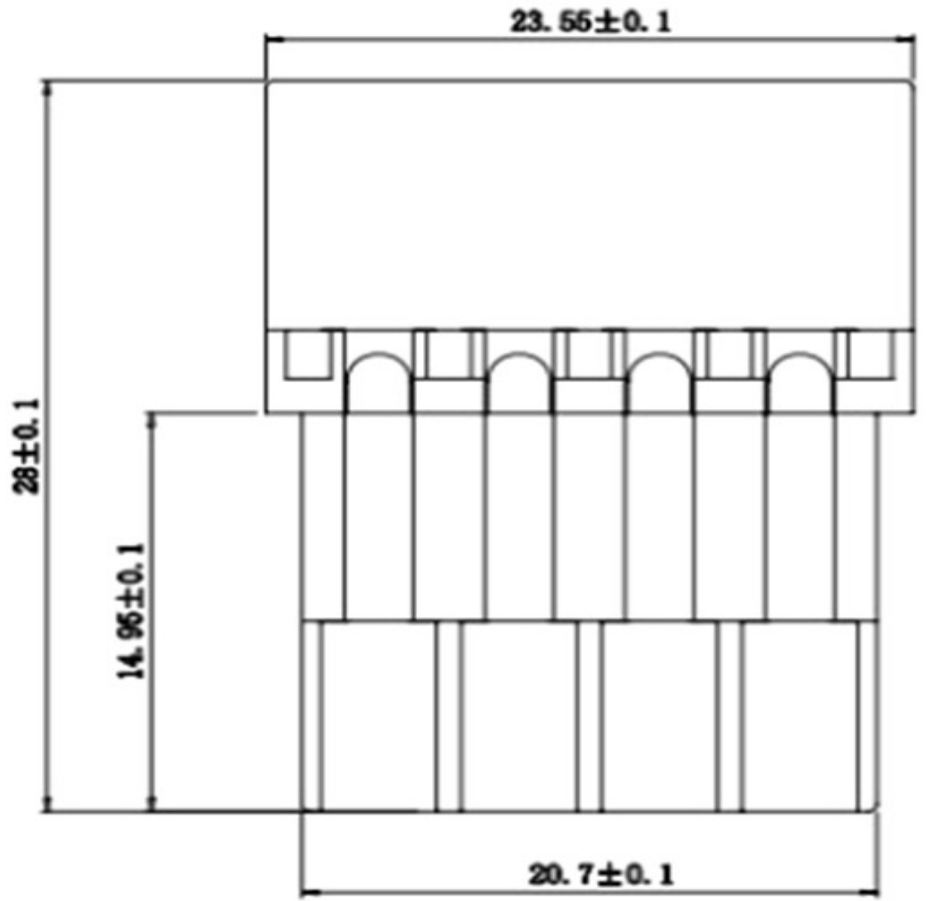
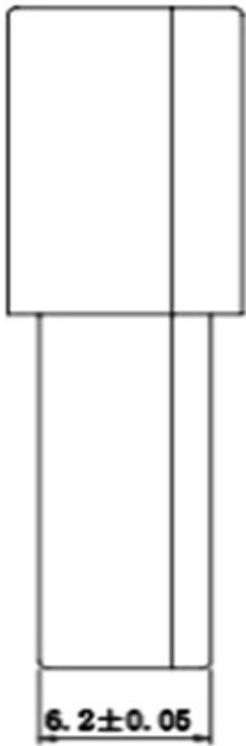
Terminal



Part No.	Wire Range	Insulation O.D	Material	Finish	Qty/reel
A2541A-TP2	AWG #26 to #22	1.2 to 1.6mm	Phosphor bronze	Tin-plated	8,000pcs
A2541A-TP8	AWG #26 to #22	1.2 to 1.6mm	Phosphor bronze	Gold.Ni.plated	8,000pcs

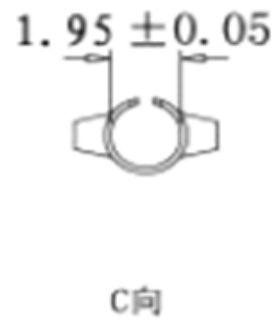
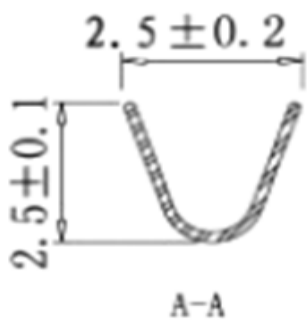
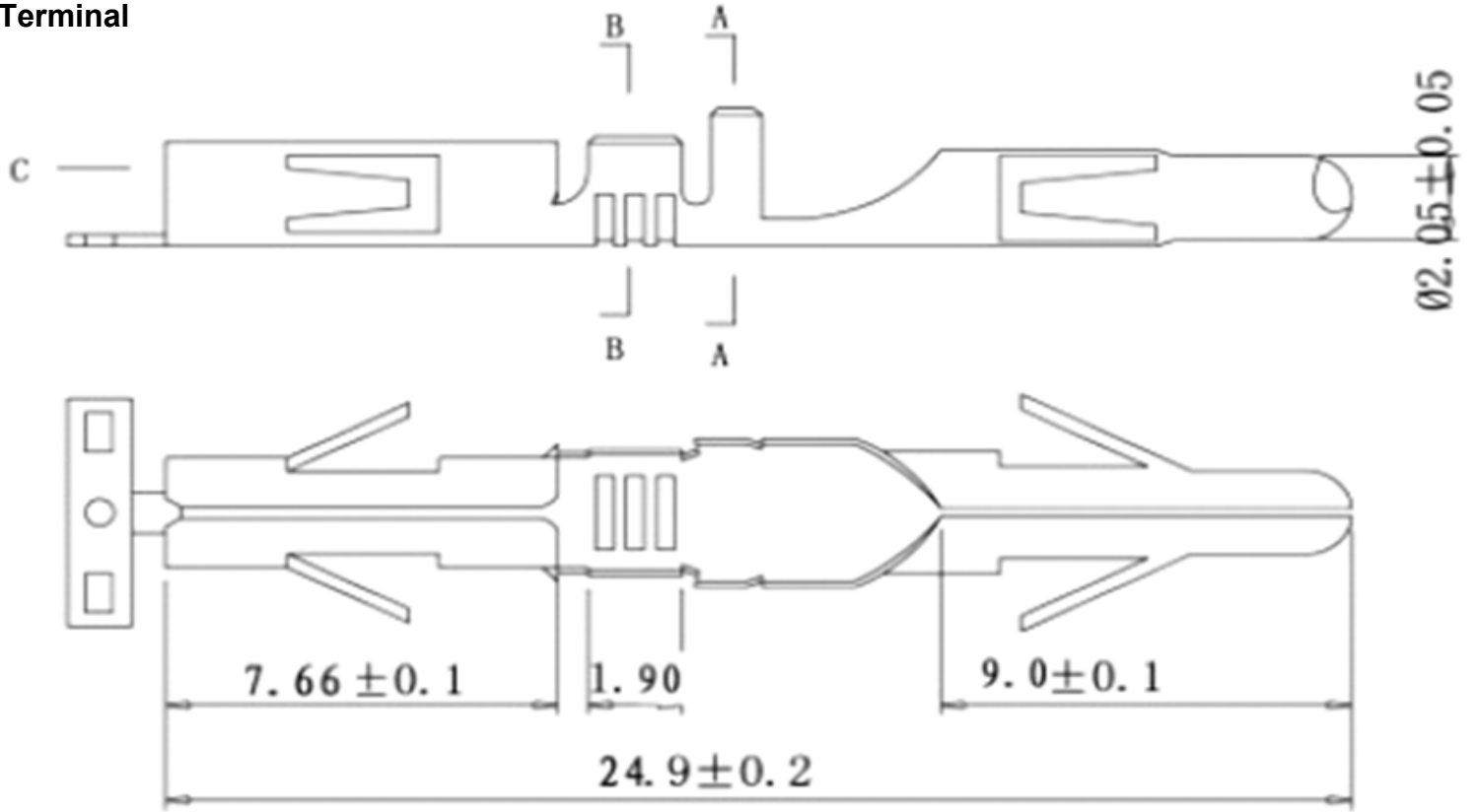


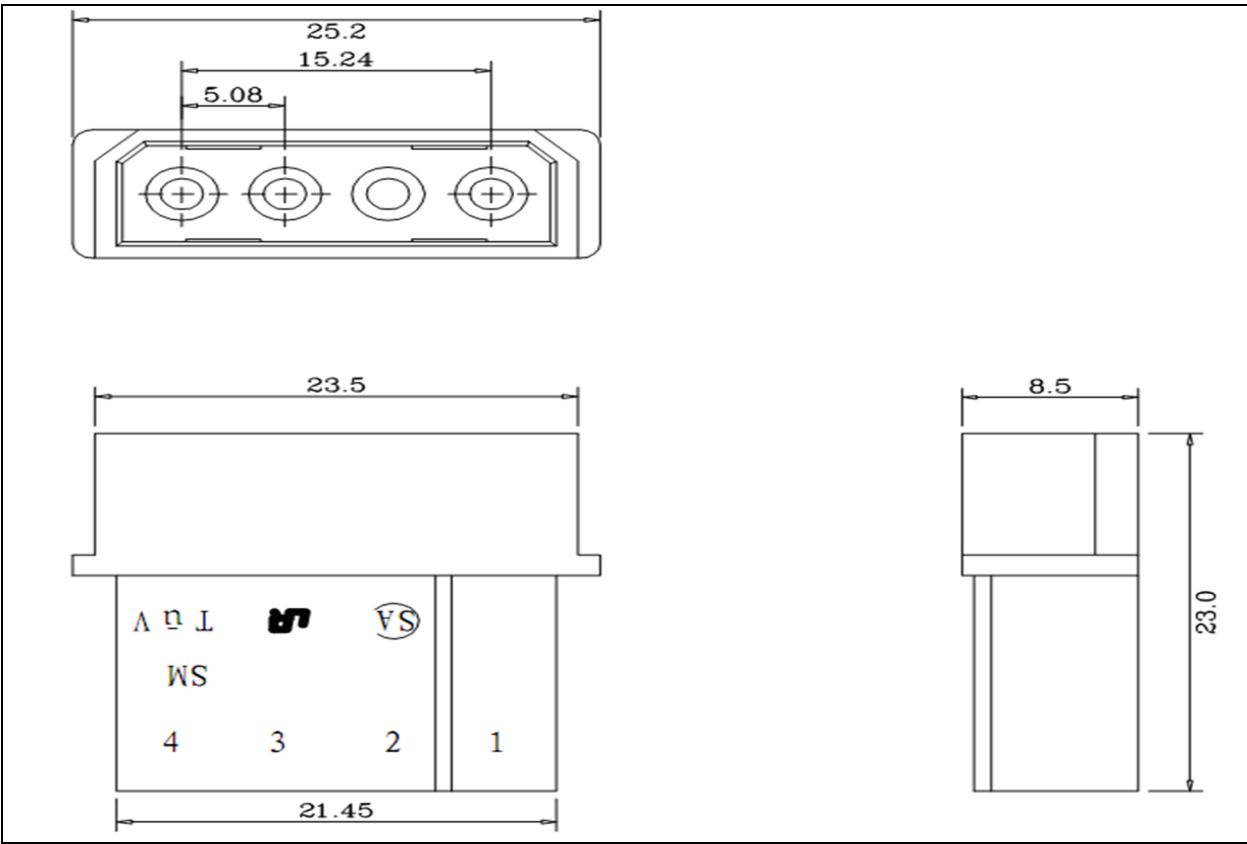
Housing



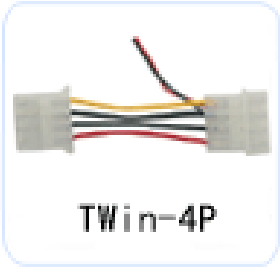


Terminal

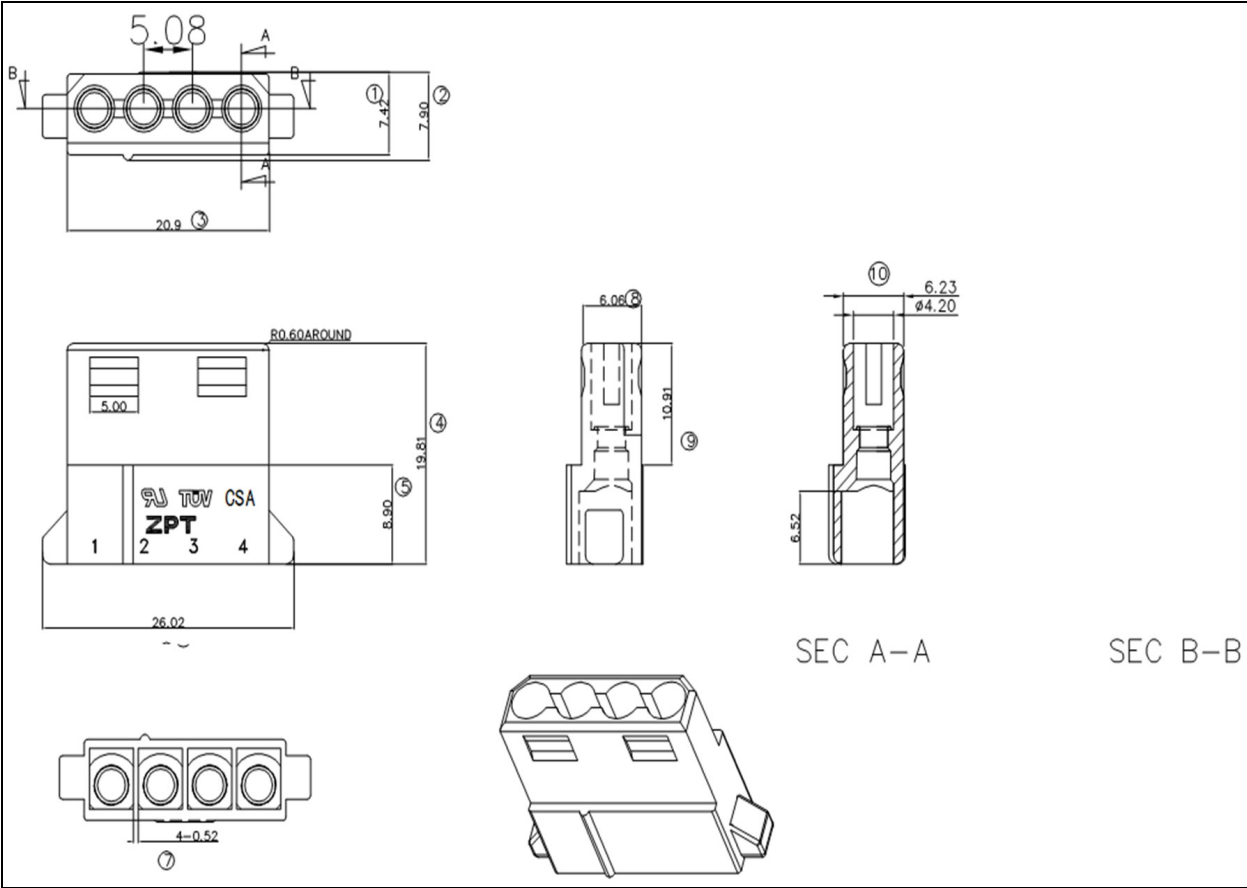


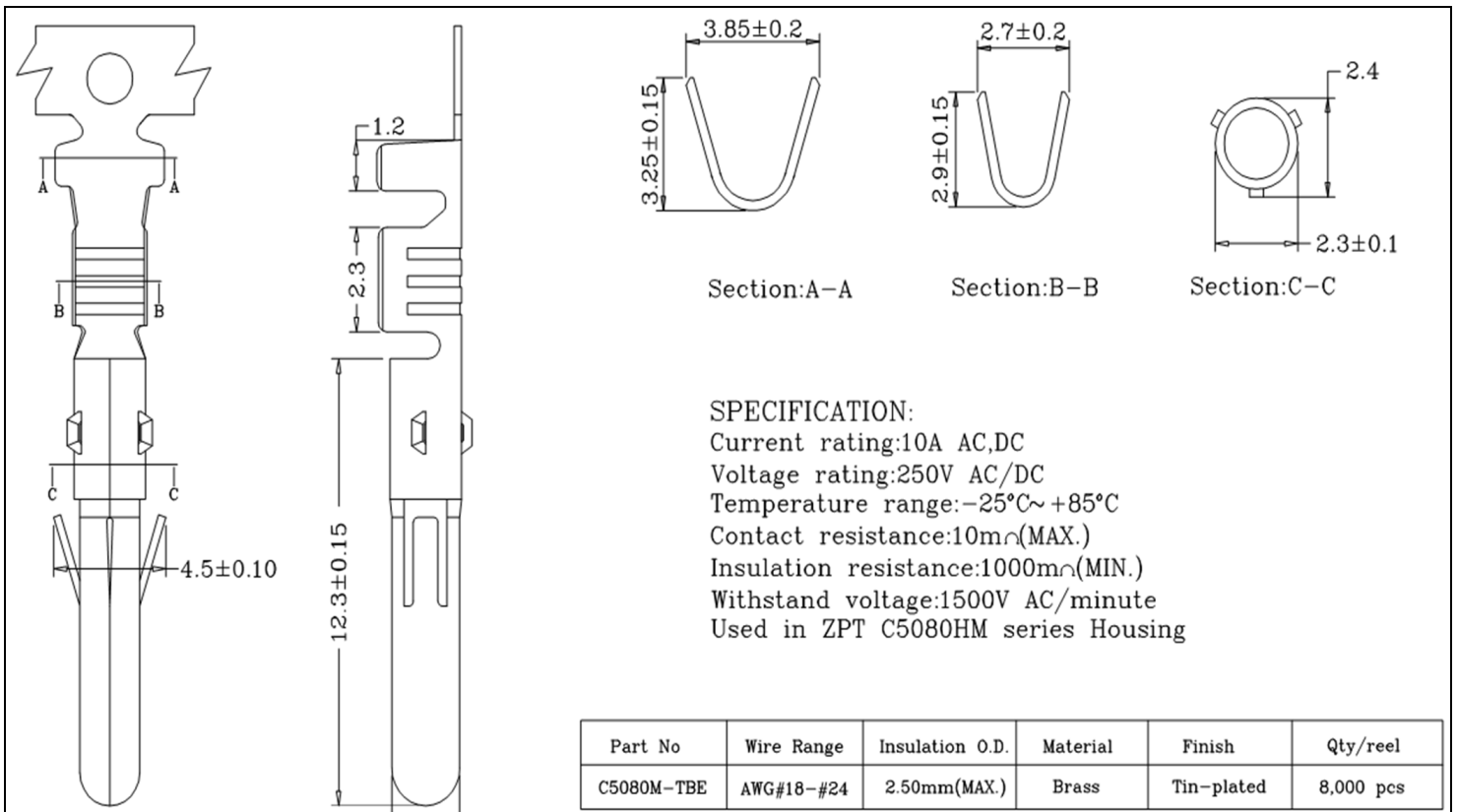


Housing



TWIn-4P





Terminal

