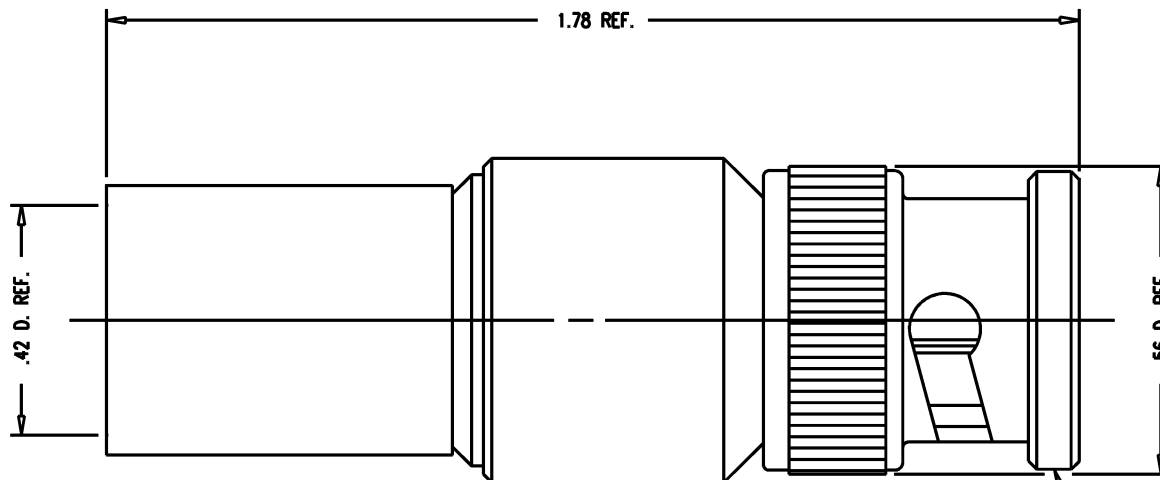


DASH NO.	M CODE	MADE FROM
----------	--------	-----------

SD

2065-8-9



STAMP: KINGS P/N 2065-8-9
YR WK (DATE CODE)

NOTES:

- FOR USE WITH BELDEN 8213 AND 7731A CABLE.
- FOR CABLING INSTRUCTIONS SEE 3-661-3.
- FOR CABLE TRIMMING USE KTJ-150 & KTD-138.
- FOR CRIMPING USE DIE KTH-2004.
- INTERFACE PER KINGS ES-17, FIG. 6.
- CENTER CONTACT TO BE SUPPLIED UNASSEMBLED.
- MATERIALS:
INSULATOR: TEFLON, ASTM-D-1457
K-GRIP SLEEVE: COM. BRONZE, ALLOY 220
GASKET: SILICONE RUBBER, ZZ-R-765
SPRING WASHER: BER. COPPER, ASTM-B-196
ALL OTHER METAL PARTS: BRASS, ASTM-B16
- FINISHES:
SPRING WASHER: SILVER PLATE, QQ-S-365
CENTER CONTACT: HARD GOLD PLATE, PER MIL-G-45204
ALL OTHER METAL PARTS: KINGS TARNISH RESISTANT FINISH (TR-5)
- ELECTRICAL CHARACTERISTICS:
NOMINAL IMPEDANCE: 75 OHMS
WORKING VOLTAGE: 500 VRMS
FREQUENCY RANGE: DC TO 3 GHz

REVISIONS	
ISSUE	CHANGES
0	ER 37767 DCT 01/12/99
1	CN 37783 E DCT 01/29/99
2	CN 37790 A TML 02/12/99
3	CN 37806 E TML 04/05/99
4	CN 37830 E TML 05/19/99
5	CN 37933 D TML 11/09/99
6	CN 38011 D HVN 05/23/00
7	CN 38495 E TML 02/01/02

206589S

SCALE	4:1
APPROX SURFACE AREA	
USED ON	
REF:	
PLUG, 75 BNC	
DRAWN HVN	DATE 01/12/99
DESIGN DCT	DATE 01/11/99
APPR. DCT	DATE 01/12/99

KINGS
ELECTRONICS CO., INC.
ROCK HILL, SOUTH CAROLINA 29730

2065-8-9

SD

UNLESS OTHERWISE SPECIFIED	2. REMOVE ALL BURRS, BREAK SHARP EDGES .005 MAX.	7. ALL LEAD THREADS TO BE CHAMFERED 45° TO ROOT DIAMETER.
1. TOLERANCES: FRACTIONS & 2 PLACE DECIMALS ± .010	3. NO FILLETS PERMITTED.	* CRITICAL DIMENSIONS
3 PLACE DECIMALS ± .004 ANGLES ± 1°	4. SURFACE ROUGHNESS 63 MICRONS RMS MAX.	
CONCENTRICITY OF ANY 2 DIAMETERS MAY NOT EXCEED HALF THE SUM OF THEIR TOLERANCES.	5. ALL DIMENSIONS PRIOR TO PLATING.	
	6. ALL PLATING IN ACCORDANCE WITH KER 10004.	