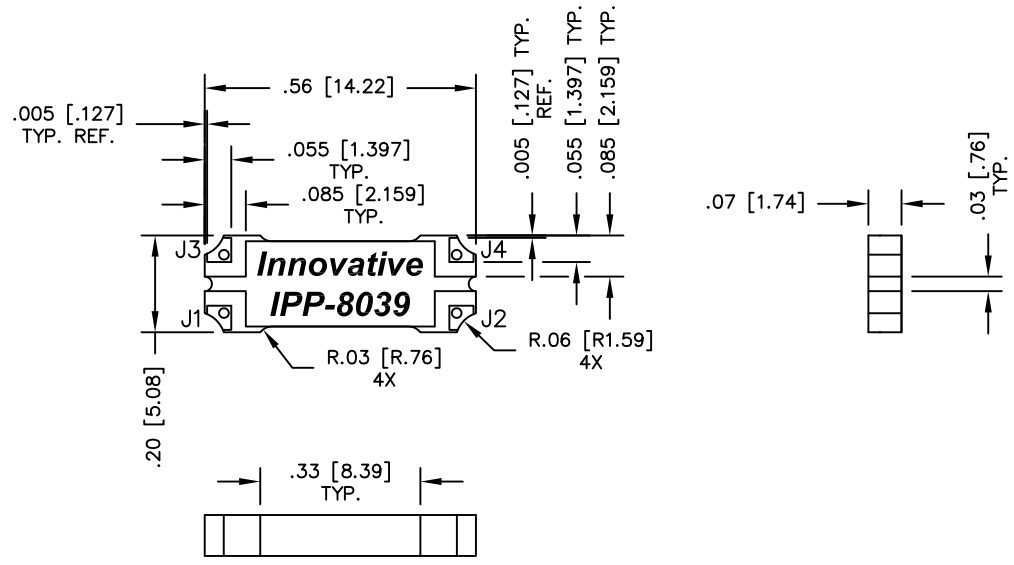


UNAUTHORIZED USE OF THIS  
DRAWING IS STRICTLY PROHIBITED

DAR	REV	DESCRIPTION	APPVD	DATE
2708	A	INITIAL RELEASE	TJD	9-10
2757	B	SEE DAR	TJD	10-10
4454	C	SEE DAR	DG	7-13



FINISH	
P/N	TYPE
IPP-8039	TIN/LEAD
IPP-8039RT	RoHS MATTE TIN
IPP-8039RG	RoHS NICKEL GOLD

- NOTES:**
- SEE SMD COUPLER APPLICATION NOTE FOR FURTHER INFORMATION.
  - PARTS WITH RoHS MATTE TIN AND RoHS NICKEL GOLD FINISHES ARE RoHS COMPLIANT.
  - AVAILABLE IN TAPE AND REEL. SEE SMD COUPLER APPLICATION NOTE FOR FURTHER INFORMATION.

PORT CONFIGURATION			
INPUT	OUTPUT	FORWARD COUPLED	REFLECTED COUPLED
J1	J2	J3	J4 ADD 50Ω TERMINATION
J1	J2	J3 ADD 50Ω TERMINATION	J4
J2	J1	J4	J3 ADD 50Ω TERMINATION
J2	J1	J4 ADD 50Ω TERMINATION	J3

**ELECTRICAL SPECIFICATIONS**

FREQUENCY: 2000 – 6000 MHz.  
 INSERTION LOSS: <0.25 dB  
 MAIN LINE VSWR: <1.30:1  
 COUPLING: 20 +1.0dB, -1.8dB  
 DIRECTIVITY: >16dB  
 COUPLED FLATNESS: ±1.9dB  
 POWER: 100 WATT  
 TEMPERATURE: -55°C TO 85°C

MATERIAL	DWN DG	DATE 8-10	<b>Innovative</b> <i>Power</i> <b>Products</b>	
FINISH	ENG TJD	DATE 8-10		
SEE FINISH CHART	MANUF	DATE	TITLE OUTLINE, SMD COUPLER	
TOLERANCE	CAGE CODE: 437R2		BI DIRECTIONAL, 2000 - 6000 MHz. 100W	
IN [MM]	SHEET 1	OF 1	SCALE 4:1	SIZE B
.XX ±.02 [.50] .XXX ±.010 [.254] ANG. ±1/2°			P/N	IPP-8039*
				REV. C