

PLEASE CHECK WWW.MOLEX.COM FOR LATEST PART INFORMATION

Part Number: [0533071071](#)
Status: **Active**
Description: 0.80mm (.031") Pitch Header, Surface Mount, Dual Row, Vertical Stacking, 4.50 and 5.50mm (.177 and .217") Stacking Heights, Lead-free, 10 Circuits

Documents:

[3D Model](#) [Product Specification PS-52465-015 \(PDF\)](#)
[Drawing \(PDF\)](#) [RoHS Certificate of Compliance \(PDF\)](#)

General

Product Family	PCB Headers
Series	53307
Application	Board-to-Board
Product Name	N/A

Physical

Breakaway	No
Circuits (Loaded)	10
Circuits (maximum)	10
Color - Resin	Natural
First Mate / Last Break	No
Glow-Wire Compliant	No
Guide to Mating Part	No
Keying to Mating Part	None
Lock to Mating Part	None
Mated Height (in)	0.177 In, 0.217 In
Mated Height (mm)	4.50 mm, 5.50 mm
Material - Metal	Phosphor Bronze
Material - Plating Mating	Tin
Material - Plating Termination	Tin
Material - Resin	High Temperature Thermoplastic
Number of Rows	2
Orientation	Vertical
PCB Locator	No
PCB Retention	None
Packaging Type	Embossed Tape on Reel
Pitch - Mating Interface (in)	0.031 In
Pitch - Mating Interface (mm)	0.80 mm
Plating min: Mating (µin)	120
Plating min: Mating (µm)	3
Plating min: Termination (µin)	120
Plating min: Termination (µm)	3
Polarized to PCB	No
Shrouded	Fully
Stackable	No
Temperature Range - Operating	-20°C to +105°C
Termination Interface: Style	Surface Mount

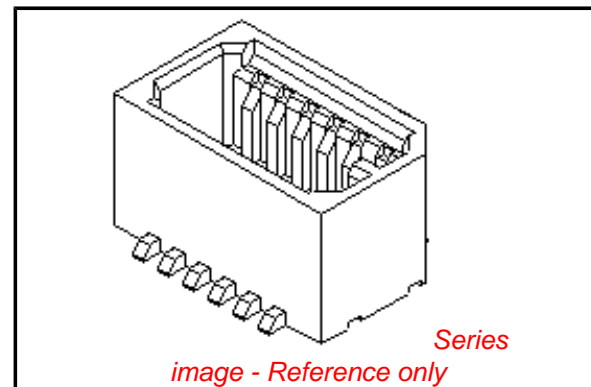
Electrical

Current - Maximum per Contact	0.5A
Voltage - Maximum	50V

Material Info

Reference - Drawing Numbers

Packaging Specification	SPK-53307-001
Product Specification	PS-52465-015, RPS-52465-042, RPS-52465-052



EU RoHS

**ELV and RoHS
Compliant**
**REACH SVHC
Contains SVHC: No
Halogen-Free
Status
Not Reviewed**

China RoHS



**Need more information on product
environmental compliance?**

Email productcompliance@molex.com
 For a multiple part number RoHS Certificate of Compliance, [click here](#)

Please visit the [Contact Us](#) section for any non-product compliance questions.

Search Parts in this Series

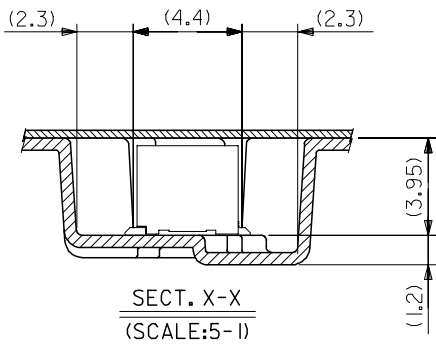
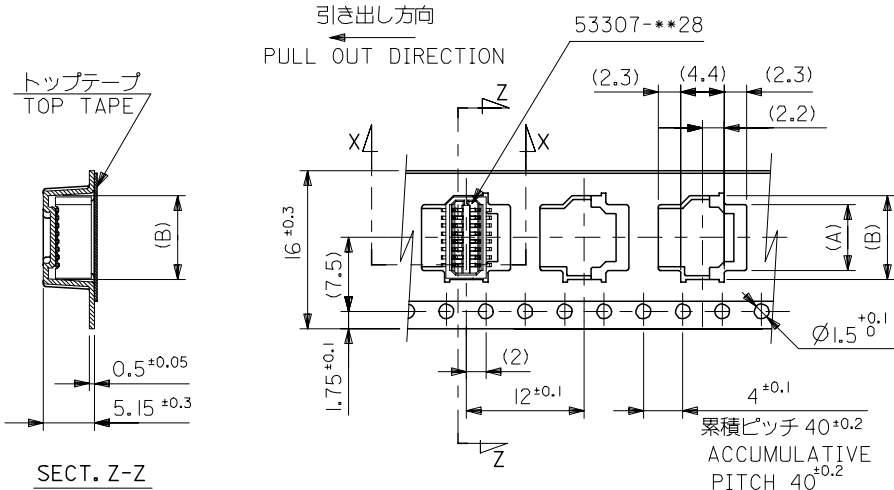
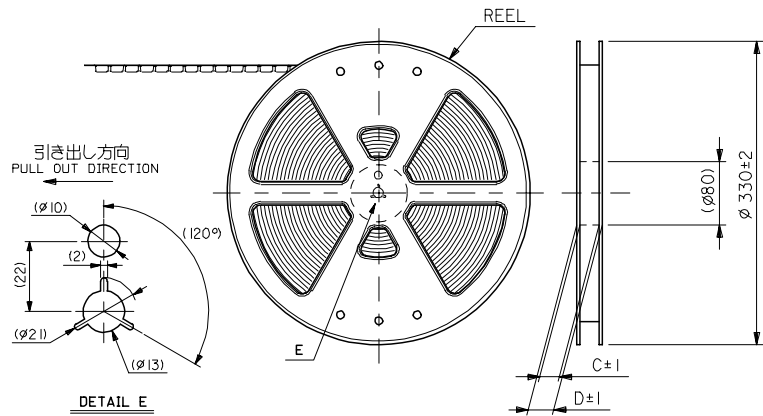
[53307Series](#)

Mates With

Board-to-Board Receptacle [52465](#) , [52588](#)

This document was generated on 06/07/2010

PLEASE CHECK WWW.MOLEX.COM FOR LATEST PART INFORMATION

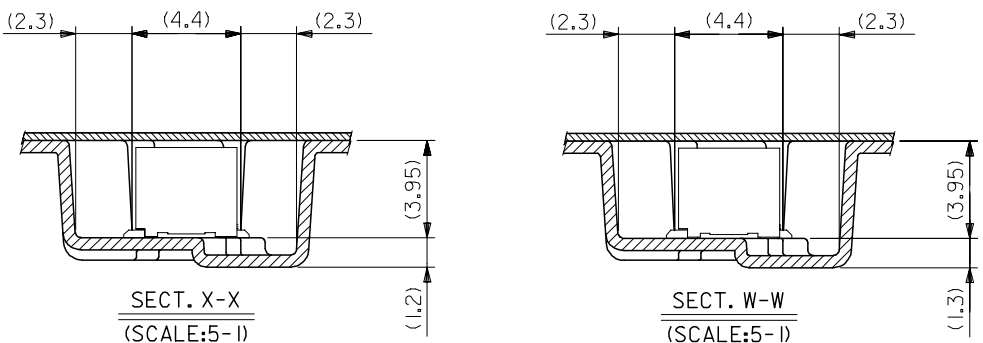
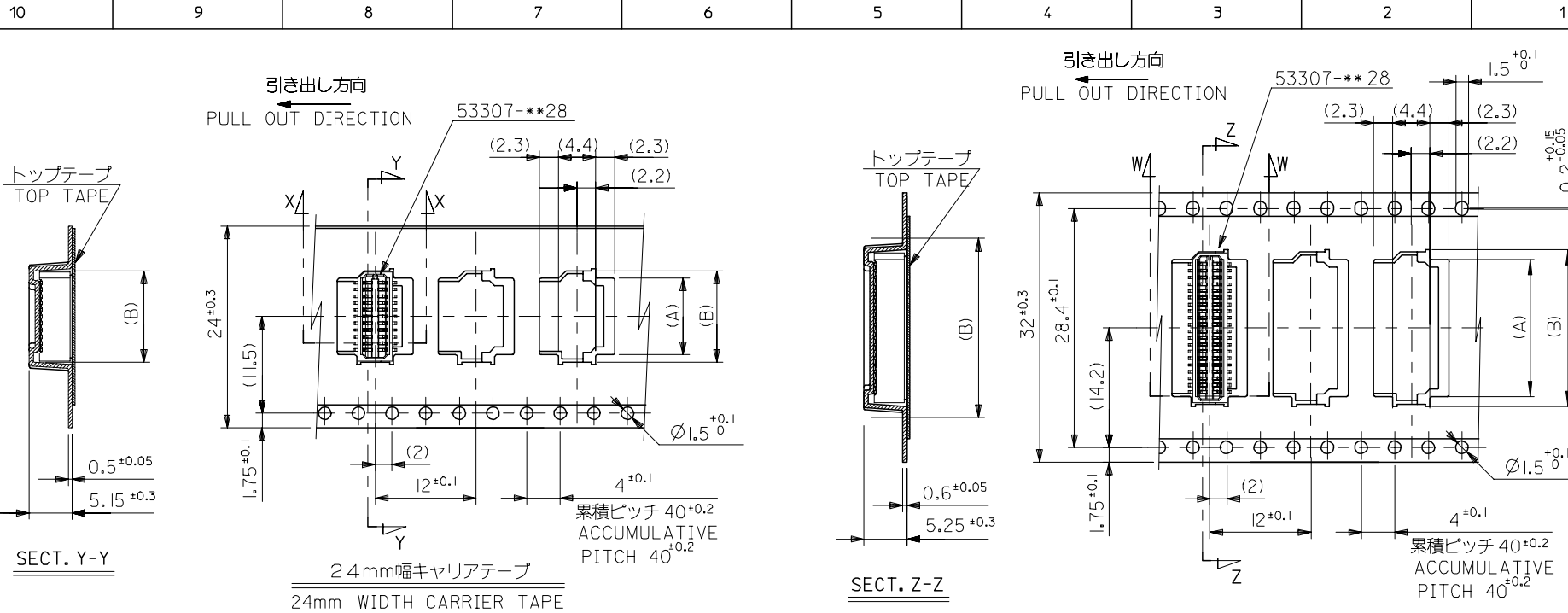


注記 NOTES

1. 梱包数量：1000個/リール NUMBER OF CONNECTORS:1000PCS/REEL
2. リードテープ長さ LEAD TAPE LENGTH
 トップテープ リーダー部 TOP TAPE LEADER PART
 トップテープ 未接着部 TOP TAPE NON-BONDED PART
 175 ±25 25 ±5
 引き出し方向 PULL OUT DIRECTION
 リーダー部 (空部) LEADER PART (EMPTY) 120 ±20
 部品挿入部 COMPONENT SUPPLIER
 末端部 (空部) TAIL PART (EMPTY) 150 ±40
3. トップテープの剥離強度：(剥離方向は下図参照)
 0.1N~1.3N {10gf~130gf} 尚、本規格値は、出荷時に適用。
 (但し、輸送時に剥離が発生しない事。)
 PEELING OFF FORCE OF TOP TAPE
 0.1N~1.3N {10gf~130gf} (PEELING DIRECTION AS SHOWN IN FOLLOWING FIG.)
 THIS REQUIREMENT SHOULD BE APPLIED AT SHIPMENT
 PEEL OFF SHOULD NOT BE ALLOWED, DURING TRANSPORTATION
 引き出し方向 PULL OUT DIRECTION
 剥離方向 PEEL OFF DIRECTION
 10°
4. 材料
 キャリアテープ：ポリプロピレン (PP) MATERIAL CARRIER TAPE:POLYPROPYLENE
 トップテープ：PET, PE, PEF TAPE:PET,PE,PEF
 リール：ポリスチレン (PS) REEL:POLYSTYRENE(PS)
 <リサイクル材を含む> <RECYCLE MATERIAL CONTAINED>
5. 本製品は 53307-***91 の鉛フリー品である。
 THIS PRODUCT IS LEAD FREE OF 53307-***91

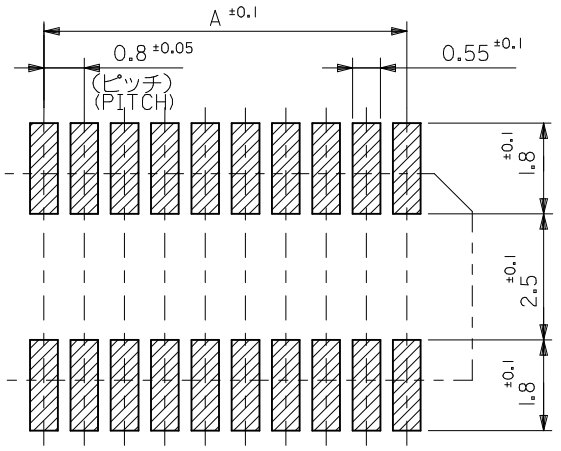
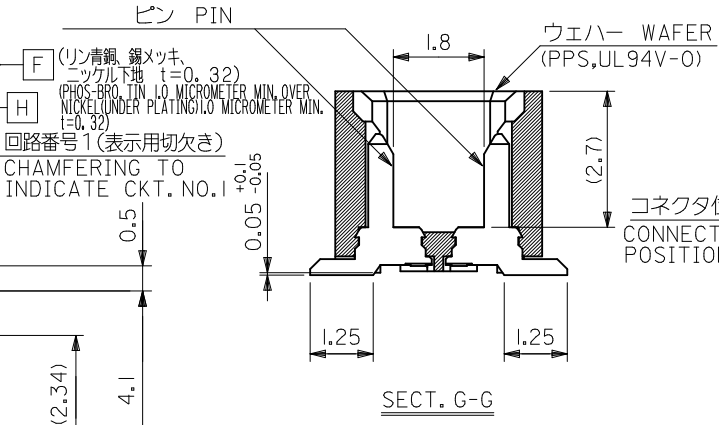
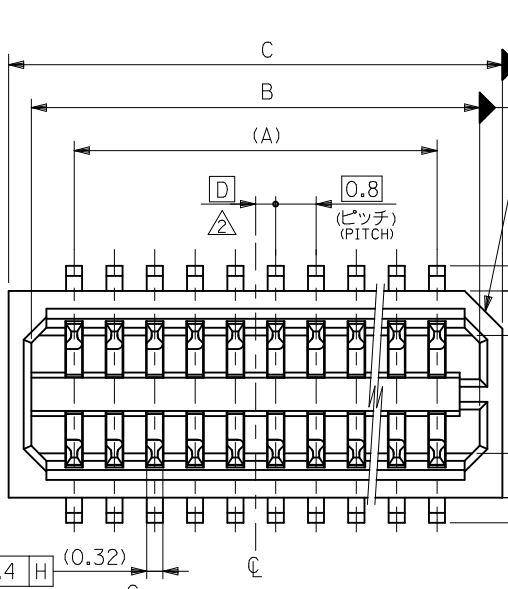
53307-***71 MODEL.NO.	キャリアテープ幅 CARRIER TAPE WIDTH	D	C	(B)	(A)	MATERIAL. NO.	9.3	7.5	53307-1871	18
							8.5	6.7	53307-1671	16
							7.7	5.9	53307-1471	14
							6.9	5.1	53307-1271	12
							6.1	4.3	53307-1071	10
										極数 CIRCUIT

REVISED EC NO: J2006-0187 DRWN: OTANI CHKD: NUKITA APPR: NUKITA	DESCRIPTION 2005/08/01 2005/08/02 2005/08/18	GENERAL TOLERANCES (UNLESS SPECIFIED)		DIMENSION STYLE MM ONLY		SCALE ---	DESIGN UNITS METRIC	THIRD ANGLE PROJECTION		
		10 UNDER	±0.2	DRAWN BY	DATE	TITLE				
		10 OVER 30 UNDER	±0.25	HSHIMABUKURO	2004/02/09	0.8 B-TO-B WAFER ASSY SMT EMBSTP PKG -LEAD FREE-				
		30 OVER	±0.3	KTOJO	2004/02/09	MOLEX INCORPORATED				
		ANGULAR	±3 °	APPROVED BY	DATE	MATERIAL NO.	DOCUMENT NO.	SHEET NO.		
DRAFT WHERE APPLICABLE MUST REMAIN WITHIN DIMENSIONS		SEE CHART		SD-53307-014		1 OF 2				
THIS DRAWING CONTAINS INFORMATION THAT IS PROPRIETARY TO MOLEX INCORPORATED AND SHOULD NOT BE USED WITHOUT WRITTEN PERMISSION										



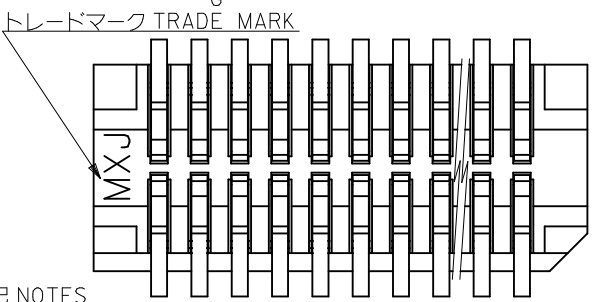
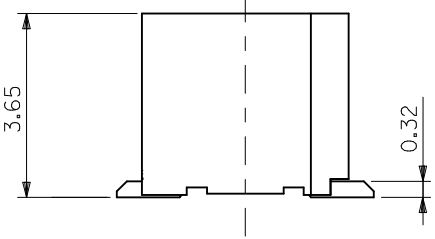
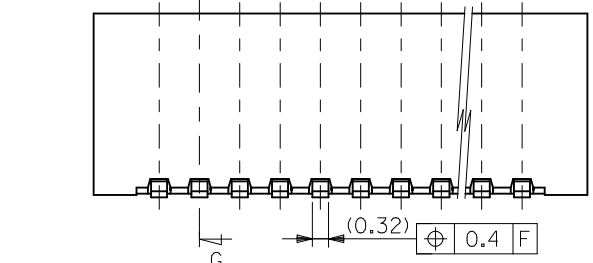
32	37.4	33.4	18.1	16.3	53307-4071	40
24	29.4	25.4	16.5	14.7	53307-3671	36
			15.7	13.9	53307-3471	34
			14.1	12.3	53307-3071	30
			13.3	11.5	53307-2871	28
			12.5	10.7	53307-2671	26
			11.7	9.9	53307-2471	24
			10.9	9.1	53307-2271	22
			10.1	8.3	53307-2071	20
53307-***71	キャリアテープ幅	D	C	(B)	(A)	材料 No. 極数
MODEL NO.	CARRIER TAPE WIDTH					CIRCUIT

REVISED EC NO: J2006-0187 DRWN: YOTANI CHK: DANUKITA APPR: NUKITA 2005/08/01 2005/08/02 2005/08/18	GENERAL TOLERANCES (UNLESS SPECIFIED)		DIMENSION STYLE MM ONLY		SCALE ---	DESIGN UNITS METRIC	THIRD ANGLE PROJECTION
	10 UNDER	±0.2	DRAWN BY HSHIMABUKURO	DATE 2004/02/09	TITLE 0.8 B-TO-B WAFER ASSY SMT EMBSTP PKG -LEAD FREE-		
	10 OVER 30 UNDER	±0.25	CHECKED BY KTOJO	DATE 2004/02/09	MOLEX INCORPORATED		
	30 OVER	±0.3	APPROVED BY MSASAO	DATE 2004/02/09	MATERIAL NO. SEE CHART		
	ANGULAR	±3 °	MATERIAL NO. SEE CHART		DOCUMENT NO. SD-53307-014	SHEET NO. 2 OF 2	
DRAFT WHERE APPLICABLE MUST REMAIN WITHIN DIMENSIONS		THIS DRAWING CONTAINS INFORMATION THAT IS PROPRIETARY TO MOLEX INCORPORATED AND SHOULD NOT BE USED WITHOUT WRITTEN PERMISSION					



参考基板レイアウト (マウント面)
P.C.B. PATTERN LAYOUT (REF.) (MOUNT AREA)

0.4	17.8	16.9	15.2	53307-4028	40
0.8	17.0	16.1	14.4	-3828	38
0.4	16.2	15.3	13.6	-3628	36
0.8	15.4	14.5	12.8	-3428	34
0.4	14.6	13.7	12.0	-3228	32
0.8	13.8	12.9	11.2	-3028	30
0.4	13.0	12.1	10.4	-2828	28
0.8	12.2	11.3	9.6	-2628	26
0.4	11.4	10.5	8.8	-2428	24
0.8	10.6	9.7	8.0	-2228	22
0.4	9.8	8.9	7.2	-2028	20
0.8	9.0	8.1	6.4	-1828	18
0.4	8.2	7.3	5.6	-1628	16
0.8	7.4	6.5	4.8	-1428	14
0.4	6.6	5.7	4.0	-1228	12
0.8	5.8	4.9	3.2	53307-1028	10



注記 NOTES

- 1 嵌合相手: 52465,52588
MATE WITH: 52465,52588 SERIES
- 2 △ ウエハの C から隣接するピンの C 迄の位置を示す。
SHOW POSITION FROM C OF WAFER TO C OF ADJACENT PINS.
- 3 本製品は 53307-**-27 の鉛フリー品である。
THIS PRODUCT IS LEAD FREE OF 53307-**-27

REVISED EC NO: J2010-1410 DRWN: TOSHIMA CHKD: MARUYAMA APPR: MSASAO	DESCRIPTION 2010/01/12 2010/01/12 2010/01/20	GENERAL TOLERANCES (UNLESS SPECIFIED)		DIMENSION STYLE MM ONLY		SCALE ---		DESIGN UNITS METRIC		MATERIAL NO. 極数 CKT.	
		10 UNDER	±0.2	DRAWN BY DATE		TITLE		THIRD ANGLE PROJECTION		53307-**-28 MODEL NO. D C B A	
		10 OVER 30 UNDER	±0.25	HS HIMABUKURO 2004/02/09		0.8 B/B CONN WAFER ASSY ST SMT -LEAD FREE-					
		30 OVER	±0.3	CHECKED BY DATE		KT0JO 2004/02/09		MOLEX INCORPORATED			
ANGULAR ±3 °		DRAFT WHERE APPLICABLE MUST REMAIN WITHIN DIMENSIONS		APPROVED BY DATE		MSASAO 2004/02/09		DOCUMENT NO.		SHEET NO.	
SIZE A3		THIS DRAWING CONTAINS INFORMATION THAT IS PROPRIETARY TO MOLEX INCORPORATED AND SHOULD NOT BE USED WITHOUT WRITTEN PERMISSION		SEE CHART		SD-53307-015		1 OF 2			

10 9 8 7 6 5 4 3 2 1

F

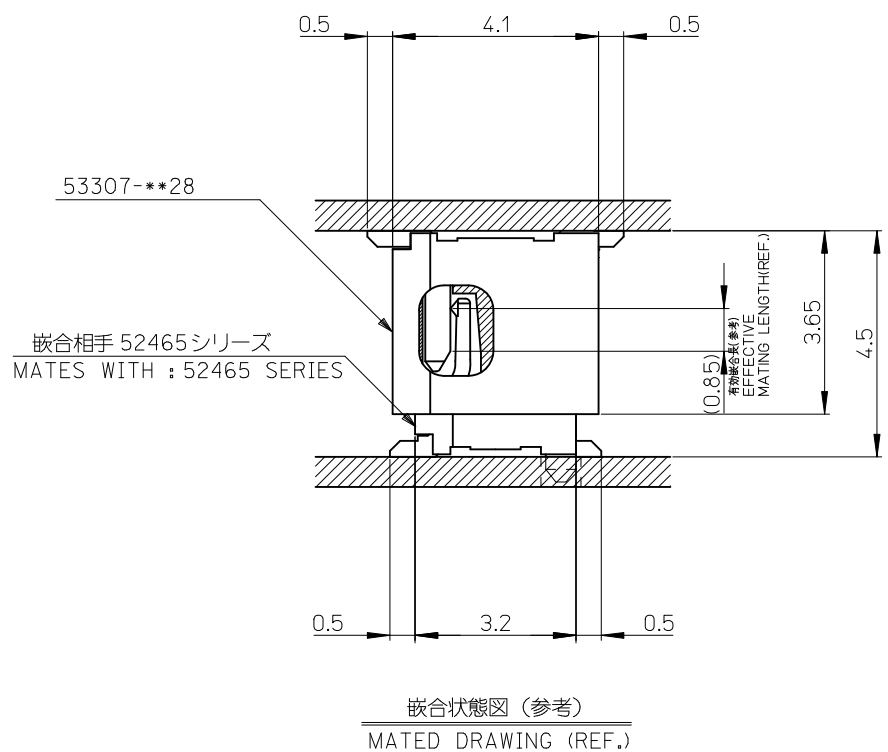
E

D

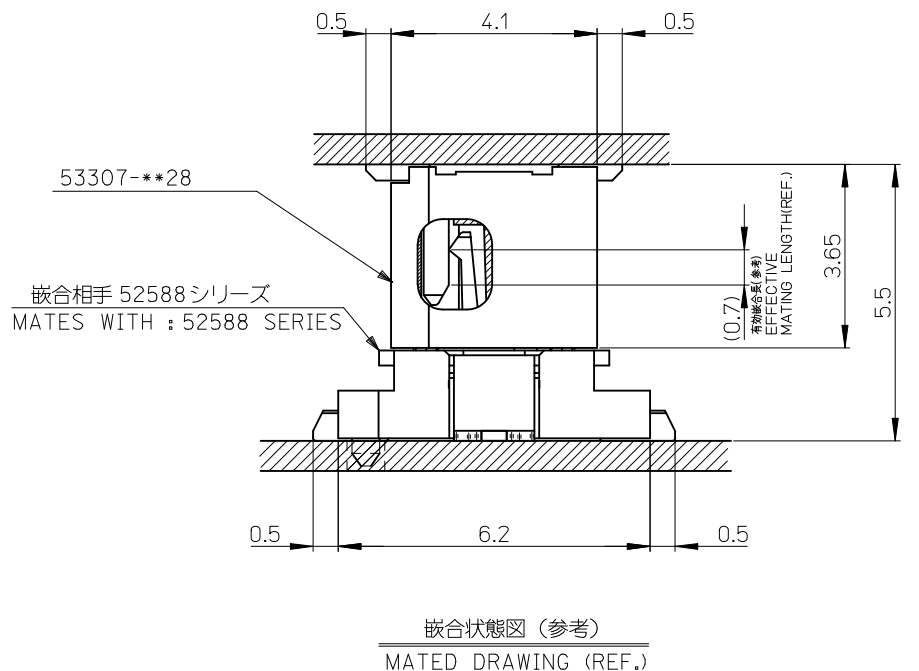
C

B

A



嵌合状態図 (参考)
MATED DRAWING (REF.)



嵌合状態図 (参考)
MATED DRAWING (REF.)

53307-***28 MODEL NO.

REVISED EC NO: J2010-1410 DRWN:TOSHIMA 2010/01/12 CHKD:SMARYAMA 2010/01/12 APPR:MSASAO 2010/01/20	DESCRIPTION D	GENERAL TOLERANCES (UNLESS SPECIFIED)		DIMENSION STYLE MM ONLY		SCALE ---	DESIGN UNITS METRIC	THIRD ANGLE PROJECTION	
		10 UNDER	±0.2	DRAWN BY HSHIMABUKURO	DATE 2004/02/09	TITLE 0.8 B/B CONN WAFER ASSY ST SMT -LEAD FREE-			
		10 OVER 30 UNDER	±0.25	CHECKED BY KTOJO	DATE 2004/02/09	APPROVED BY MSASAO 2004/02/09			
		30 OVER	±0.3	APPROVED BY MSASAO 2004/02/09		MATERIAL NO. © SEE CHART		DOCUMENT NO. SD-53307-015	
ANGULAR ±3 °		DRAFT WHERE APPLICABLE MUST REMAIN WITHIN DIMENSIONS		SIZE A3		THIS DRAWING CONTAINS INFORMATION THAT IS PROPRIETARY TO MOLEX INCORPORATED AND SHOULD NOT BE USED WITHOUT WRITTEN PERMISSION			