

PULSEJACK™

Single-Port Gigabit PoE

Description:

10/100/1000 Base-TX RJ45 single port with integrated magnetics – Designed for most leading PHY manufacturers with the addition of Power over Ethernet, according to IEEE 802.3af



Features and Benefits:

- ⊕ RoHS peak wave solder temperature rating 260°C
- ⊕ Single port Connector for PoE applications

Electrical Performance Summary:

- ⊕ 350μH minimum OCL with 8mA bias current
- ⊕ High performance for maximum EMI suppression
- ⊕ 15W, 350mA, 48V PoE rating

Electrical Specifications @ 25°C — Operating Temperature 0°C to +70°C

RoHS Compliant Part No.	Tab Option	LEDs ¹ L/R	Insertion Loss TX/RX (dB TYP) 1-100 MHz	Return Loss (dB TYP) 100Ω (±15Ω)			Crosstalk (dB TYP)			Common Mode Rejection (dB TYP)		Hipot (Vrms MIN) @60Hz 1 MIN
				30 MHz	60-80 MHz	100 MHz	30 MHz	60 MHz	100 MHz	1-50 MHz	50-130 MHz	
JK0-0133NL	UP	—	-1.0	-16	-12	-10	-44	-37	-33	-27	-20	1500
JK0-0145NL	UP	G/Y	-1.0	-16	-12	-10	-44	-37	-33	-27	-20	1500
JK0-0161NL	UP	—	-1.0	-16	-12	-10	-44	-37	-33	-27	-20	1500

NOTES:

1. LEDs Left/Right: G = green; Y = yellow.

RJ45 Durability Testing Rating

Part Number	Mating Force (MAX)	Unmating Force (MAX)	Durability	Plug to Jack Retention (MIN)
JK0 Series	5lbs./2.268kgs.	5lbs./2.268kgs.	500 Insertions	20lbs./9.072kgs.

RJ45 Material Specification

Part Number	Shield		Contact			Housing		MSL ³ Rating
	Material	Finish	Material	Plating Area	Solder Area ²	Material	Specification	
JK0 Series	Brass	20-40μ inches thick nickel over brass	Phosphor Bronze	15μ inches gold over 30-80μ inches nickel	75-300μ inches tin-lead over 75-300μ inches nickel	Thermoplastic	UL 94 V-0	1

NOTES:

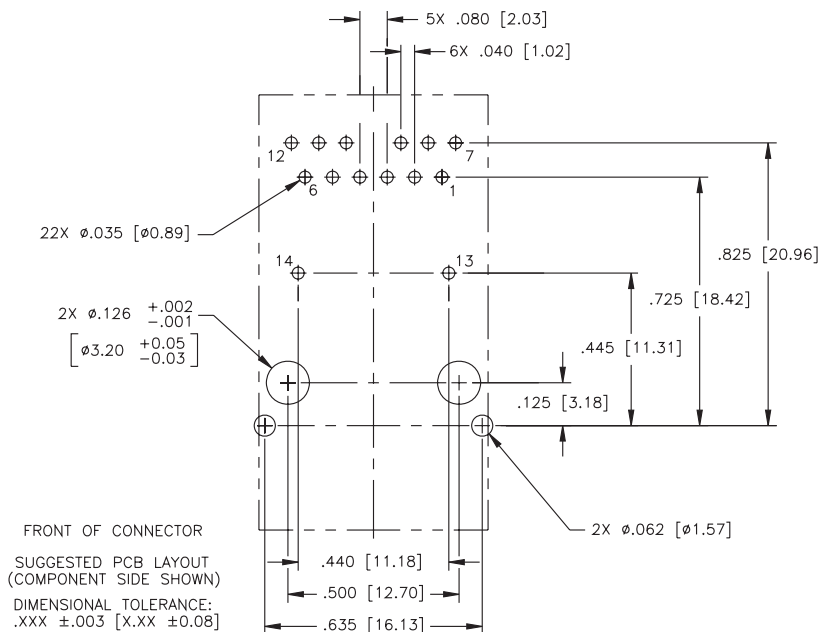
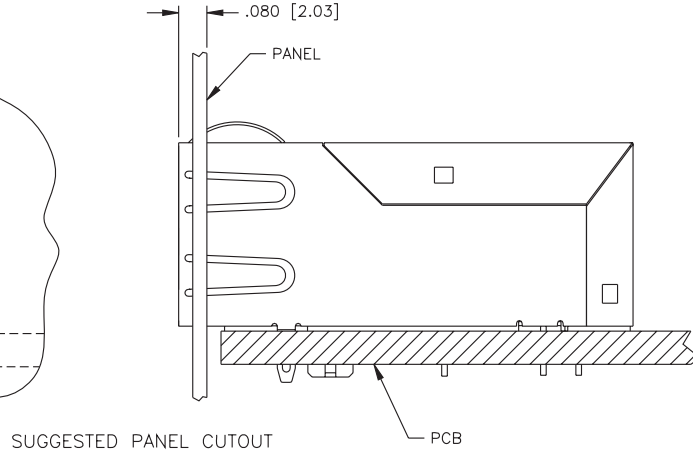
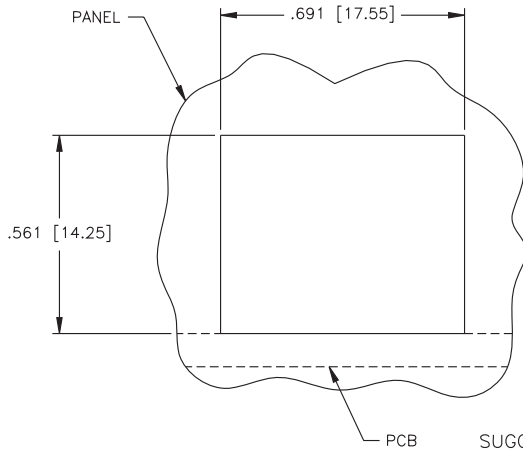
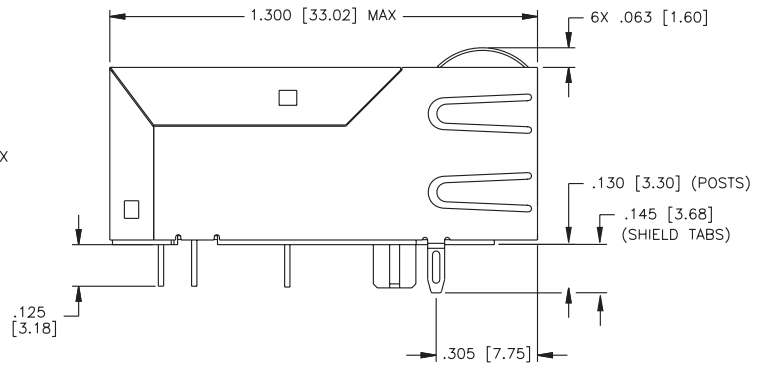
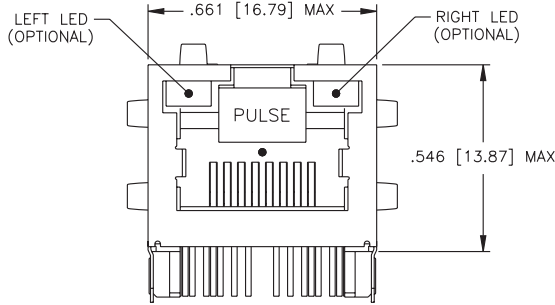
1. Connector dimensions comply with FCC dimension requirements.

2. NL parts are tin matte finish over nickel.

3. MSL - Moisture Sensitivity Level class limits = 1 to 5 (Highest: 1; Lowest: 5).

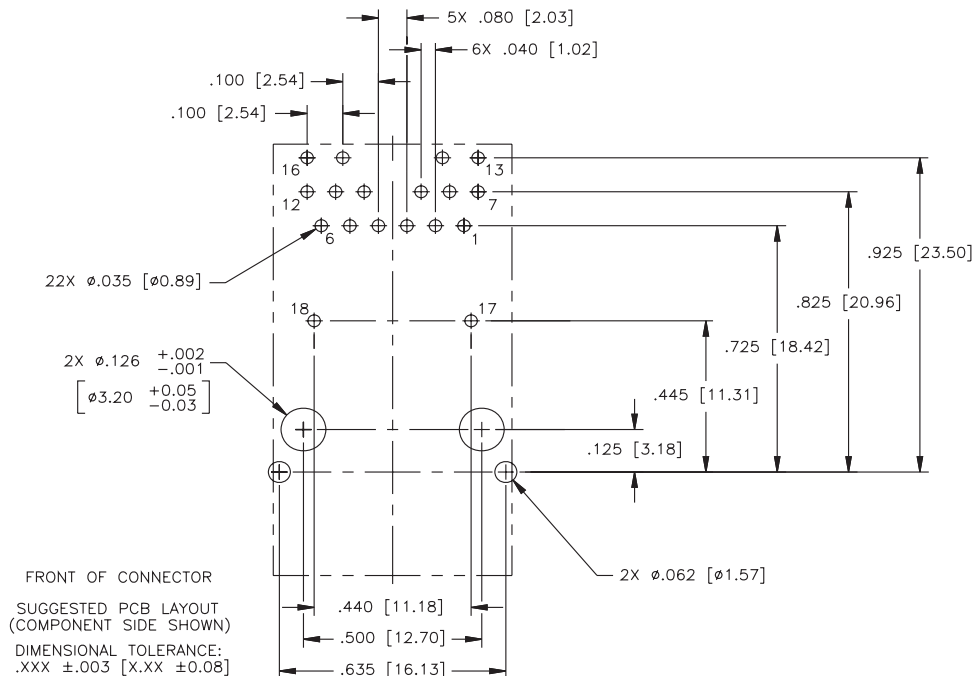
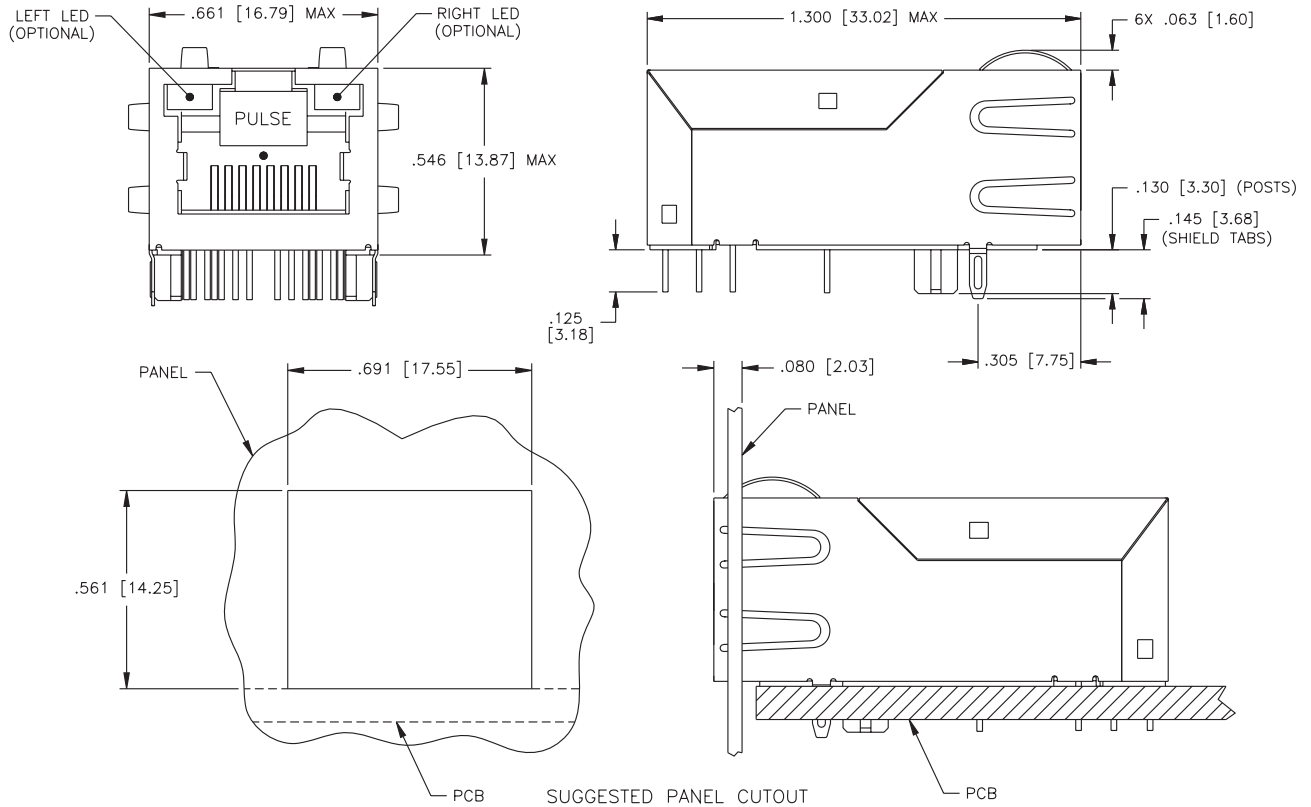
Mechanical

JK0-0133NL



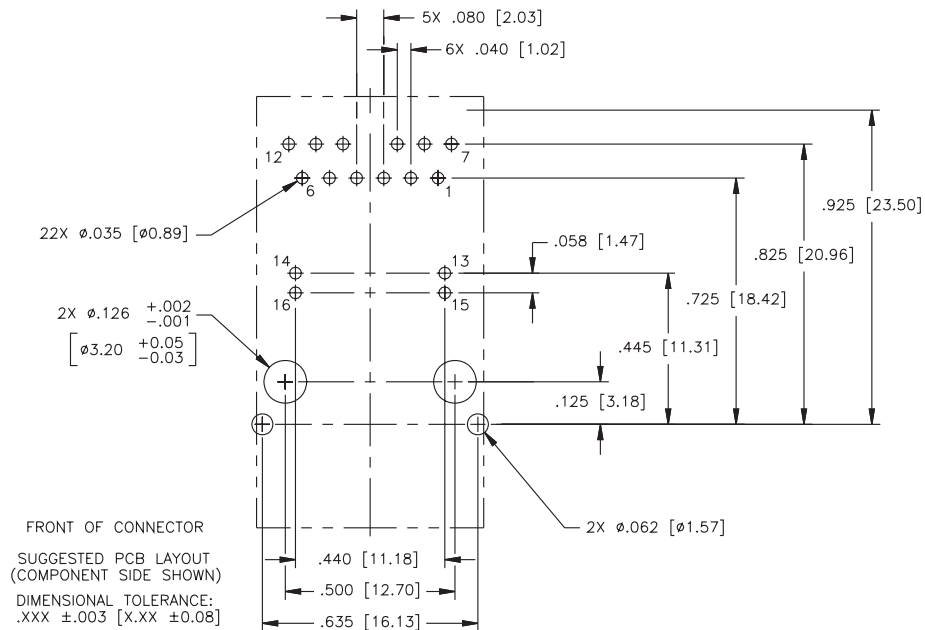
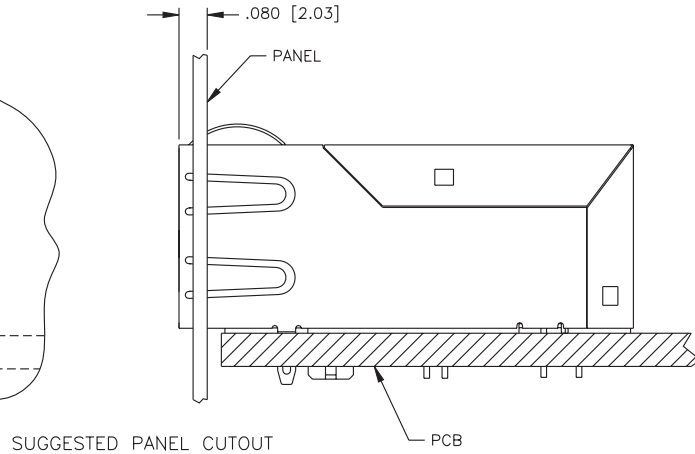
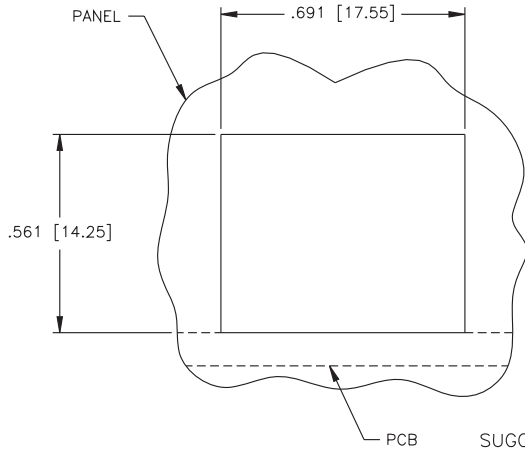
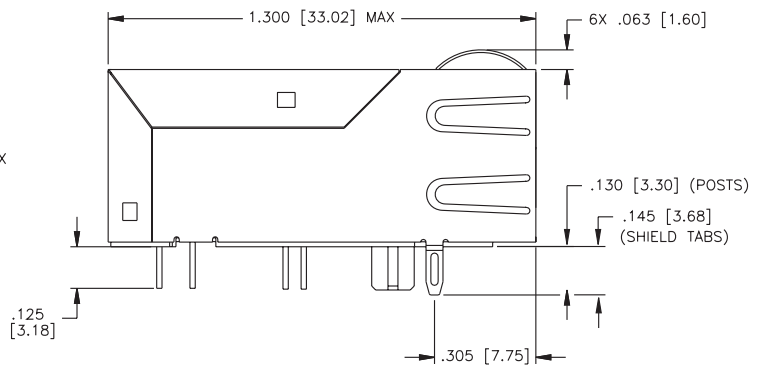
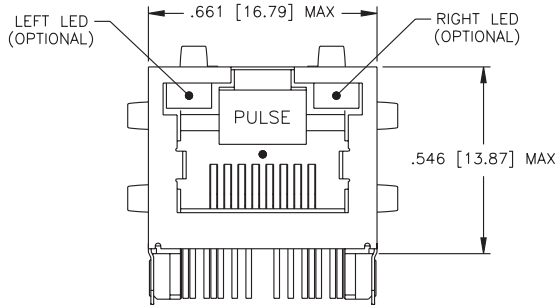
Mechanical

JK0-0145NL



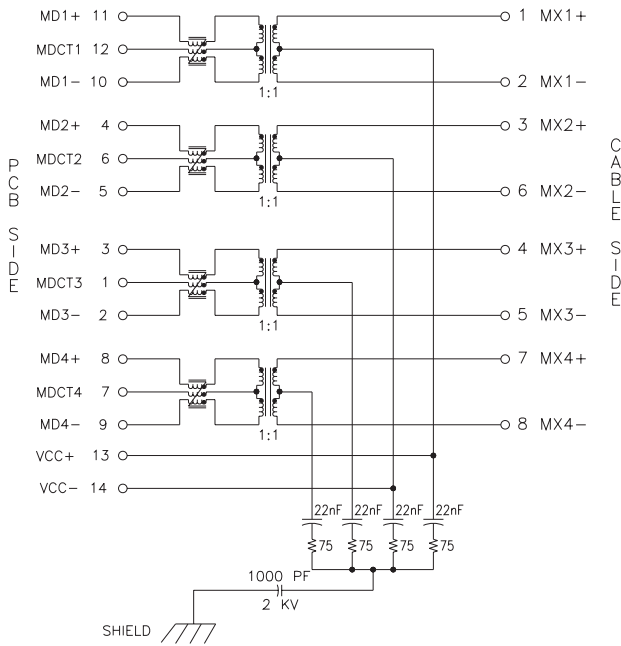
Mechanical

JK0-0161NL

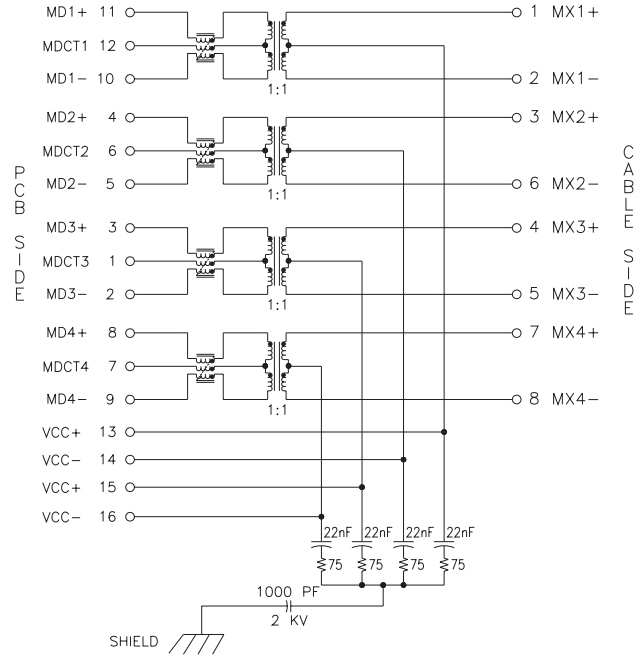


Schematics

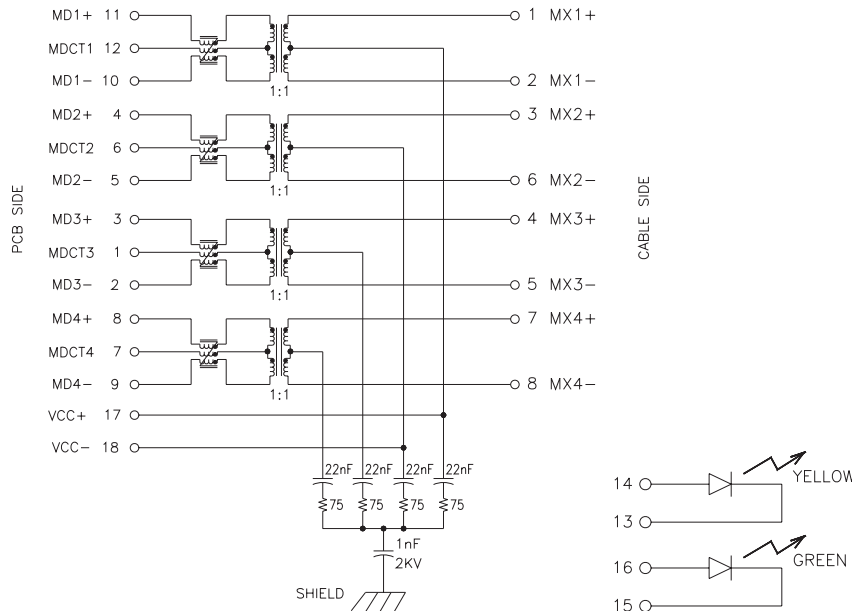
JK0-0133NL



JK0-0161NL



JK0-0145NL



For More Information:

Pulse Worldwide Headquarters
12220 World Trade Dr.
San Diego, CA 92128
U.S.A.
www.pulseeng.com

Pulse European Headquarters
Einsteinstrasse 1
D-71083 Herrenberg
Germany

Pulse China Headquarters
B402, Shenzhen Academy of
Aerospace Technology Bldg.
10th Kejian Rd.
High-Tech Zone
Nanshan District
Shenzhen, PR China 518057

Pulse North China
Room 1503
XinYin Building
No. 888 YiShan Rd.
Shanghai 200233
China

Pulse South Asia
150 Kampong Ampat
#07-01/02
KA Centre
Singapore 368324

Pulse North Asia
No. 26
Kao Ching Rd.
Yang Mei Chen
Taoyuan Hsien
Taiwan, R. O. C.
32667

TEL: 858 674 8100
FAX: 858 674 8262

TEL: 49 7032 7806 0
FAX: 49 7032 7806 12

TEL: 86 755 33966678
FAX: 86 755 33966700

TEL: 86 21 32181071
FAX: 86 21 32181396

TEL: 65 6287 8998
FAX: 65 6280 0080

TEL: 886 3 4643715
FAX: 886 3 4641911

Performance warranty of products offered on this data sheet is limited to the parameters specified. Data is subject to change without notice. Other brand and product names mentioned herein may be trademarks or registered trademarks of their respective owners. © Copyright, 2008. Pulse Engineering, Inc. All rights reserved.