

Spezifikation für Freigabe / specification for release

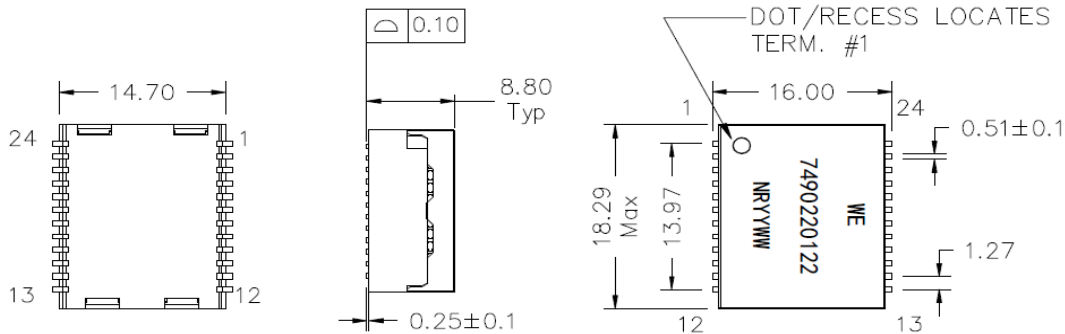
Kunde / customer :
 Artikelnummer / part number : **7490220122**
 Bezeichnung : **LAN-Übertrager WE-LAN**
 description : **LAN-Transformer WE-LAN**



DATUM / DATE : 2016-07-26

A Mechanische Abmessungen / dimensions :

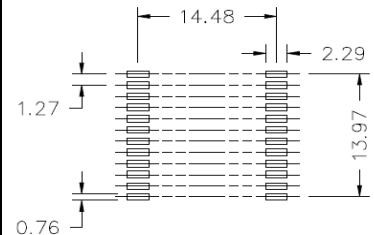
1000 BaseT 4PPoE



B Elektrische Eigenschaften / electrical properties :

| Eigenschaften / properties | Testbedingungen / test conditions | | Wert / value | Einheit / unit | tol. |
|--------------------------------------|-----------------------------------|---------|--------------|----------------|------|
| Induktivität / Inductance | 100kHz / 100mV @ 24mA DC-Bias | OCL | 350 | µH | min. |
| Übersetzungsverhältnis / Turns ratio | 100kHz / 100mV | 1CT:1CT | 1 : 1 | Tx | ±2% |
| | | | 1 : 1 | Rx | |
| Insertion Loss | 1MHz - 100 MHz | IL | -1,0 | dB | max. |
| Return Loss | 1MHz - 30 MHz | RL | -18 | dB | min. |
| | 30MHz - 60 MHz | | -14 | | |
| | 60MHz - 80 MHz | | -12 | | |
| | 80MHz - 100 MHz | | -10 | | |
| Common to Common Mode Rejection | 1MHz - 30MHz | CMRR | -40 | dB | min. |
| | 30MHz - 60 MHz | | -35 | | |
| | 60MHz - 100MHz | | -30 | | |
| Crosstalk | 1MHz - 60 MHz | CT | -35 | dB | min. |
| | 60MHz - 100 MHz | | -30 | | |

C Lötpad / soldering spec. :



D Prüfgeräte / test equipment :

Agilent E5071C

E Testbedingungen / test conditions :

Lufffeuchtigkeit / Humidity: 33%
 Umgebungstemperatur / Temperature: +25°C

F Werkstoffe & Zulassungen / material & approvals :

Basismaterial / Base material: Ferrit / Ferrite
 Draht / Wire: 0UEW/Y 180
 Kontaktmaterial / Contact plating: Cu-Ni-Sn
 Gehäuse / Case: DAP Black per UL 94V-0

G Eigenschaften / general specifications :

Betriebstemp. / operating temperature: -40°C - +85°C
 Hochspannungsprüfung / Hipot test: 1500Vrms 1min.
 Geeignet für 1000BaseT gemäß kommendem IEEE 802.3bt /
 Compliant with upcoming IEEE 802.3bt for 4PPoE

Freigabe erteilt / general release:

| Kunde / customer | | | |
|-------------------|--------------------------|--------------|-------------------------|
| | | | |
| Datum / date | Unterschrift / signature | | |
| | | | |
| Würth Elektronik | | JaB | Version 02 |
| | | JaB | Version 01 |
| | | JLiu | Preliminary |
| Geprüft / checked | Kontrolliert / approved | Name | Änderung / modification |
| | | Datum / date | |

Würth Elektronik eiSos GmbH & Co.KG

D-74638 Waldenburg · Max-Eyth-Straße 1 - 3 · Germany · Telefon (+49) (0) 7942 - 945 - 0 · Telefax (+49) (0) 7942 - 945 - 400
<http://www.we-online.com>

Spezifikation für Freigabe / specification for release

Kunde / customer :

Artikelnummer / part number :

7490220122

Bezeichnung :

LAN-Übertrager WE-LAN

description :

LAN-Transformer WE-LAN



DATUM / DATE : 2016-07-26

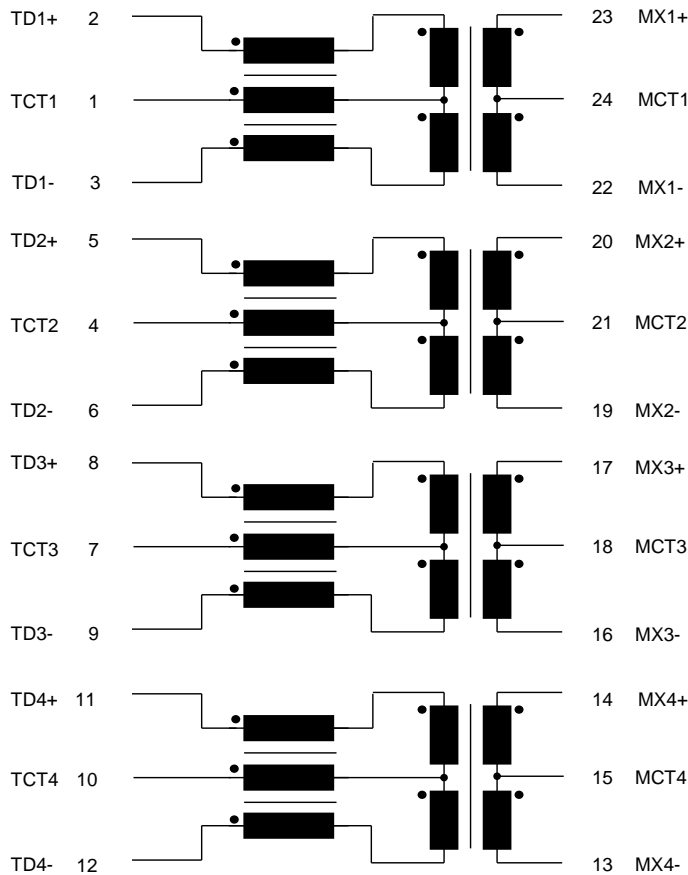
H PoE Eigenschaften :

Designed für Anwendungen bis 900mA
 pro Mittelanzapfung
 Designed für 45W Anwendungen wenn zwei Kanäle beströmt
 Designed für 90W Anwendungen wenn vier Kanäle beströmt

H PoE Specifications :

Designed to support applications up to 900mA
 per centre tap
 Designed for 45W applications when using two channels
 Designed for 90W applications when using four channels

I Schaltbild / Schematics :



| | | | |
|-------------------|--------------------------|------|---|
| Datum / date | Unterschrift / signature | | |
| | Würth Elektronik | JaB | Version 02 2016-07-26 |
| | | JaB | Version 01 2016-04-12 |
| | | JLiu | Preliminary 2015-08-18 |
| Geprüft / checked | Kontrolliert / approved | Name | Änderung / modification Datum / date |

Würth Elektronik eiSos GmbH & Co.KG

D-74638 Waldenburg · Max-Eyth-Straße 1 - 3 · Germany · Telefon (+49) (0) 7942 - 945 - 0 · Telefax (+49) (0) 7942 - 945 - 400
<http://www.we-online.com>

Spezifikation für Freigabe / specification for release

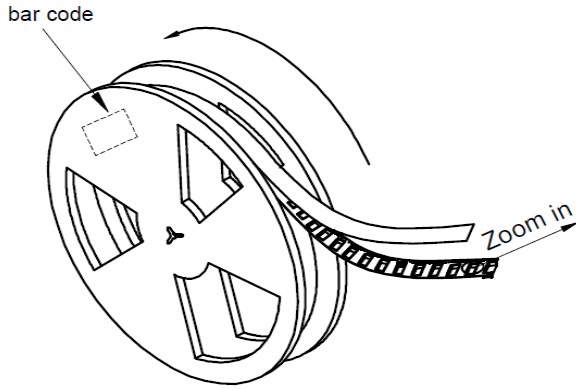
Kunde / customer :
 Artikelnummer / part number : **7490220122**
 Bezeichnung : **LAN-Übertrager WE-LAN**
 description : **LAN-Transformer WE-LAN**



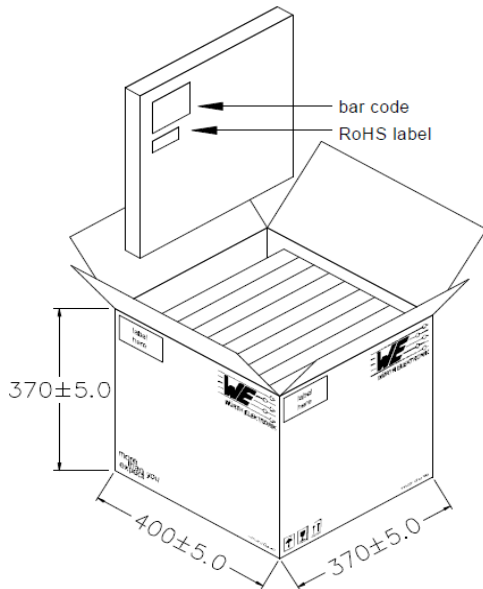
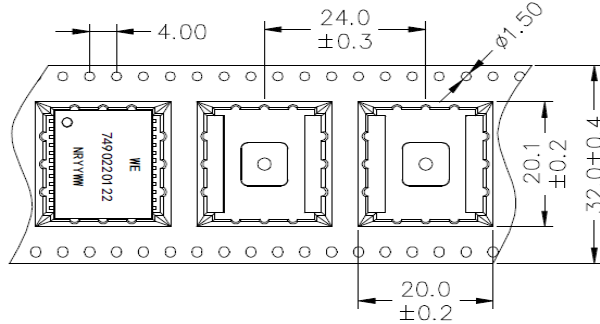
DATUM / DATE : 2016-07-26

I Rollenspezifikation / tape and reel specification :

PACKAGING(Tape & Reel)



(13" Reel)



Packing Quality:

290 pcs Finished Goods / Reel

8 Reels (2320pcs Finished Goods) / Carton

| | | | | |
|-------------------------------------|--------------------------|------|-------------------------|--------------|
| Freigabe erteilt / general release: | Kunde / customer | | | |
| | | | | |
| Datum / date | Unterschrift / signature | | | |
| | Würth Elektronik | JaB | Version 02 | 2016-07-26 |
| | | JaB | Version 01 | 2016-04-12 |
| | | JLiu | Preliminary | 2015-08-18 |
| Geprüft / checked | Kontrolliert / approved | Name | Änderung / modification | Datum / date |

This electronic component has been designed and developed for usage in general electronic equipment. Before incorporating this component into any equipment where higher safety and reliability is especially required or if there is the possibility of direct damage or injury to human body, for example in the range of aerospace, aviation, nuclear control, submarine, transportation, (automotive control, train control, ship control), transportation signal, disaster prevention, medical, public information network etc. Würth Elektronik eiSos GmbH must be informed before the design-in stage. In addition, sufficient reliability evaluation checks for safety must be performed on every electronic component which is used in electrical circuits that require high safety and reliability functions or performance.

Würth Elektronik eiSos GmbH & Co.KG

D-74638 Waldenburg · Max-Eyth-Straße 1 - 3 · Germany · Telefon (+49) (0) 7942 - 945 - 0 · Telefax (+49) (0) 7942 - 945 - 400
<http://www.we-online.com>