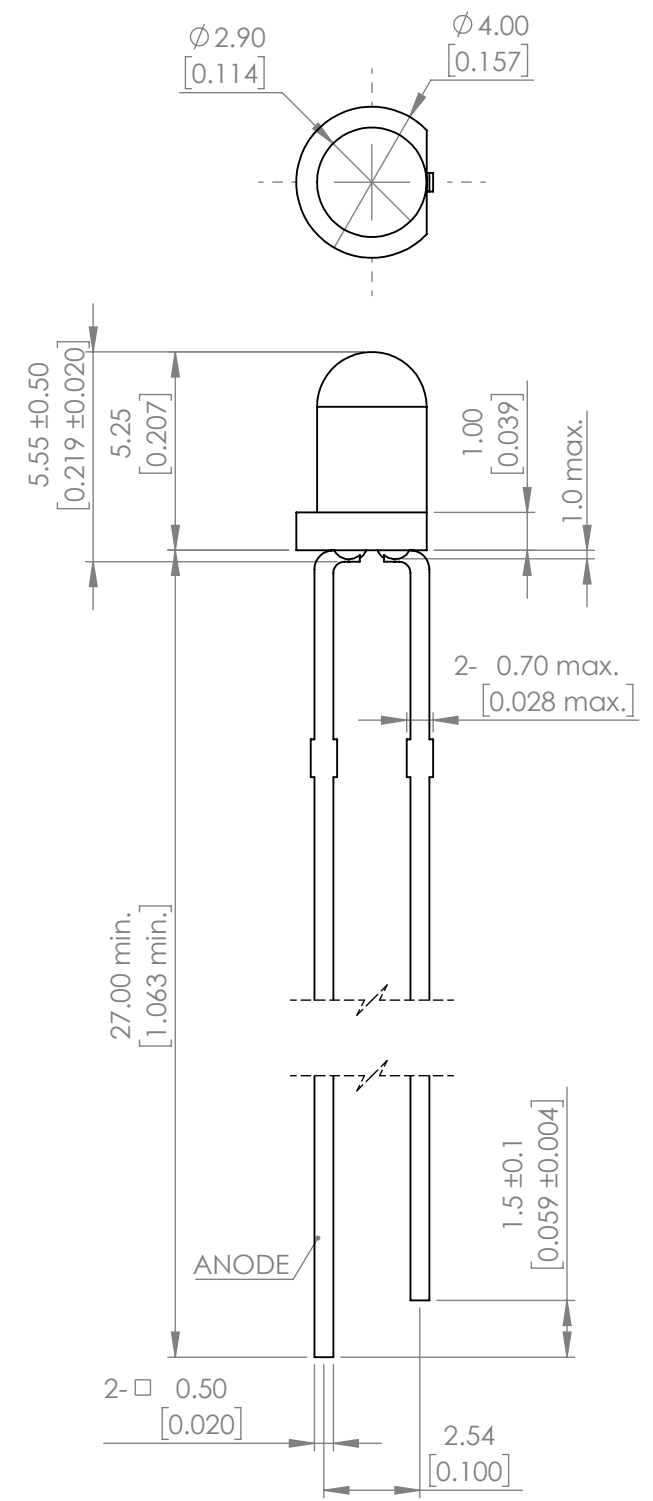
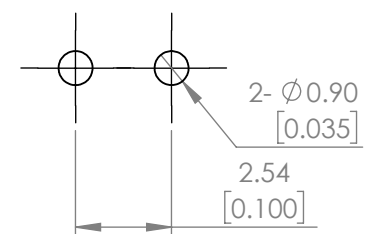


PART NUMBER		SSL-LX3054SYD	REV	C
REV	E.C.N. NUMBER AND REVISION COMMENTS			DATE
A	E.C.N. #10BRDR. & REDRAWN & REDRAWN IN 3D.			04.16.01
B	E.C.N. #10BRDR. & REDRAWN.			02.22.13
C	ECN-Lumex201700110			11.10.17



RECOMMENDED LAYOUT



ELECTRO-OPTICAL CHARACTERISTIC TA=25°C

PARAMETER	MIN	TYP	MAX	UNITS	TEST COND
PEAK WAVELENGTH	-	590	-	nm	If=20mA
FORWARD VOLTAGE	-	2.0	2.5	Vf	If=20mA
REVERSE CURRENT	-	-	10	uA	Vr=5V
LUMINOUS INTENSITY	300	500	-	mcd	If=20mA
VIEWING ANGLE	-	60	-	2x theta ^{1/2}	-
EMITTED COLOR	YELLOW				
EPOXY LENS FINISH	YELLOW DIFFUSED				

ABSOLUTE MAXIMUM RATINGS TA=25°C

PARAMETER	MAX	UNITS
PEAK FORWARD CURRENT*	150	mA
FORWARD CURRENT	30	mA
REVERSE VOLTAGE	5	V
POWER DISSIPATION	75	mW
STORAGE TEMPERATURE	-40 TO +85	°C
OPERATING TEMPERATURE	-40 TO +85	°C
LEAD SOLDER TEMPERATURE**	3SEC MAX @260	°C

*1/10 DUTY CYCLE, 0.1MS PULSE WIDTH.
**2mm BELOW PACKAGE BASE

NOTE:
1.RoHS COMPLIANT.

*UNLESS OTHERWISE SPECIFIED TOLERANCES PER DECIMAL PRECISION ARE: X= ± 1 (± 0.039), X.X= ± 0.5 (± 0.020), X.XX= ± 0.25 (± 0.010), X.XXX= ± 0.127 (± 0.005). LEAD SIZE= ± 0.05 (± 0.002), LEAD LENGTH= ± 0.75 (± 0.030). MIN= ^{+DECIMAL PRECISION}/_{-0.00} MAX= ^{+0.00}/_{-DECIMAL PRECISION}