

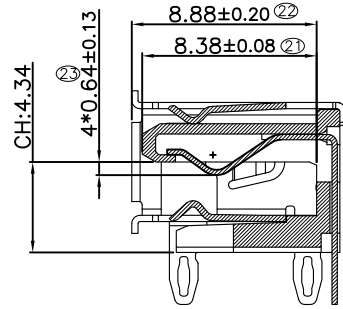
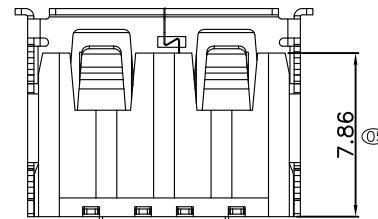
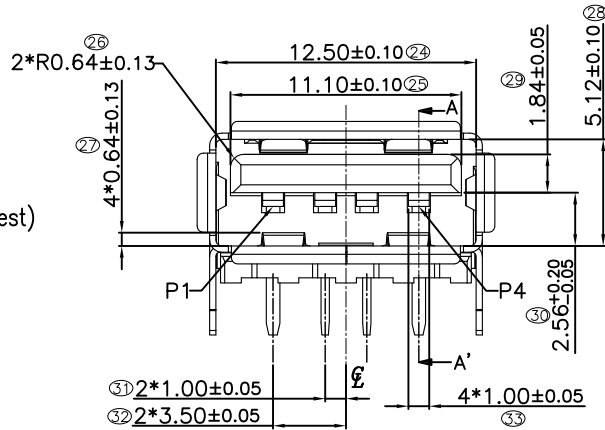
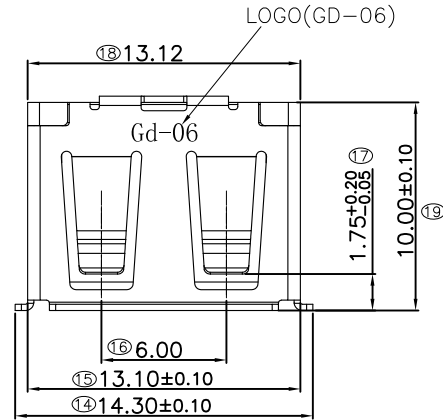
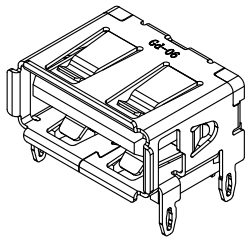
RoHS & HF Compliant

NOTE:

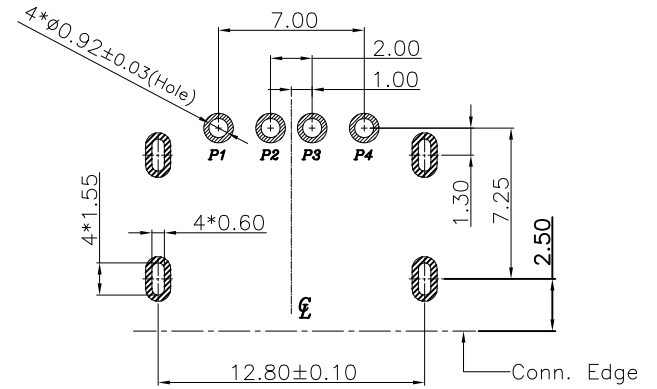
- Material:
  - Housing: PBT White; Thermoplastics, UL94V-0 (Halogen free)
  - Contact: Copper Alloy (C5191)
  - Shell: Stainless Steel (SUS201)
- FINISH:
  - Contact: Gold 3u" Plated on Contact Area, 80u" Min. Tin Plated on Solder Tails Area, 50u" Min. Nickel Underplating Over All.
  - Shell: 50u" Min. Nickel Underplating Over All.
- Specification:
  - ELECTRICAL
    - Rated current: 1.5 A
    - Insulation Resistance: 1000MΩ Min. at 500V/DC for 1Minute.
    - Withstanding voltage: 500 VAC/minute
    - Contact Resistance: 30 m ohms Max.
  - MECHANICAL
    - Mating force: 6-25N (initial test)
    - Unmating force: 10-25N (initial test)
    - 8-25N (After Durability test)
    - Durability: 3000 cycles.
    - Housing Pull out force: 80N Min.
  - ENVIRONMENTAL
    - Salt Spray: 24 Hours Min.
- Ordering information

USB-AF-DIP-539-HW

USB SERIES | CONNECTOR TYPE A TYPE FEMALE | CONNECTOR STYLE DIP TYPE | Halogen Free, White | FOLLOW NUMBER

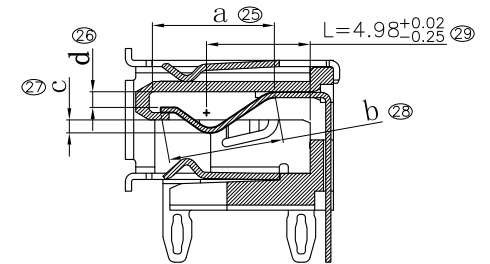
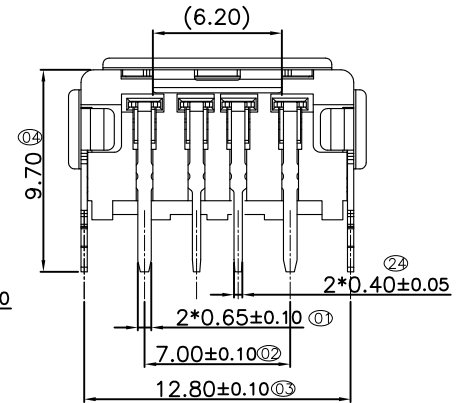
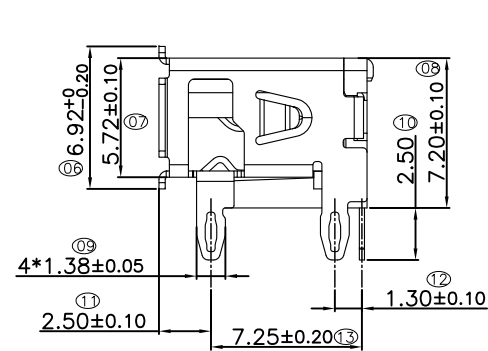


SECTION A-A'



RECOMMENDED P.C.B. PATTERN LAYOUT

GENERAL TOLERANCES: ±0.05  
PCB T=1.0~1.2mm



以上尺寸, 必须满足 a>b, d>c 标准  
4.98±0.02/-0.25 必须在公差内  
生产时需重点管控

3	外壳	GUB102U-1A1-NN24	SUS201 不锈钢壳 镀可焊镍50u" Min.	1PCS
2	端子	GUB43P-1J4-NP03	接触区镀金3u" 焊接区镀亮锡80u" Min.	4PCS
1	胶芯	HUB85T-1A1-WX00-H	PBT 白色, 无卤	1PCS

UNIT	mm	*: Inspection Item	IJJ-Tech 东莞市皇捷通讯科技有限公司 DONGGUAN HUANGJIE COMMUNICATION TECHNOLOGY CO., LTD.	
A6	按客户要求, 新增尺寸管控	20.11.20	Nick	Lcz
A5	增加筒支尺寸管控	19.03.11	Lua	YSH
A4	高端LOGO印字修改为GD-06	18.12.26	Lua	YSH
A3	2, 3PIN端子的DIP脚改为0.40MM宽度	18.09.22	Lua	YSH
版本	设定内容	日期	修改	核准
REV.	MODIFICATION	DATE	DRAW	APPROVE
			审核	CHECKED

