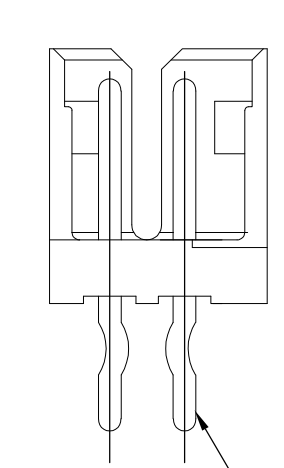
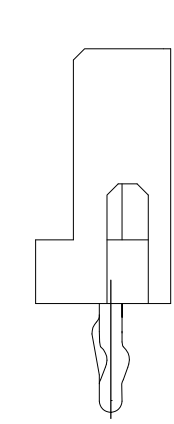
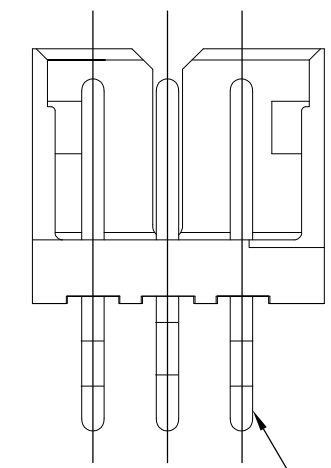
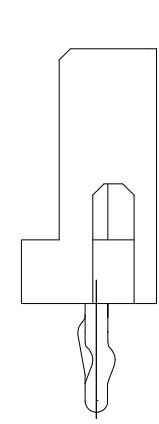
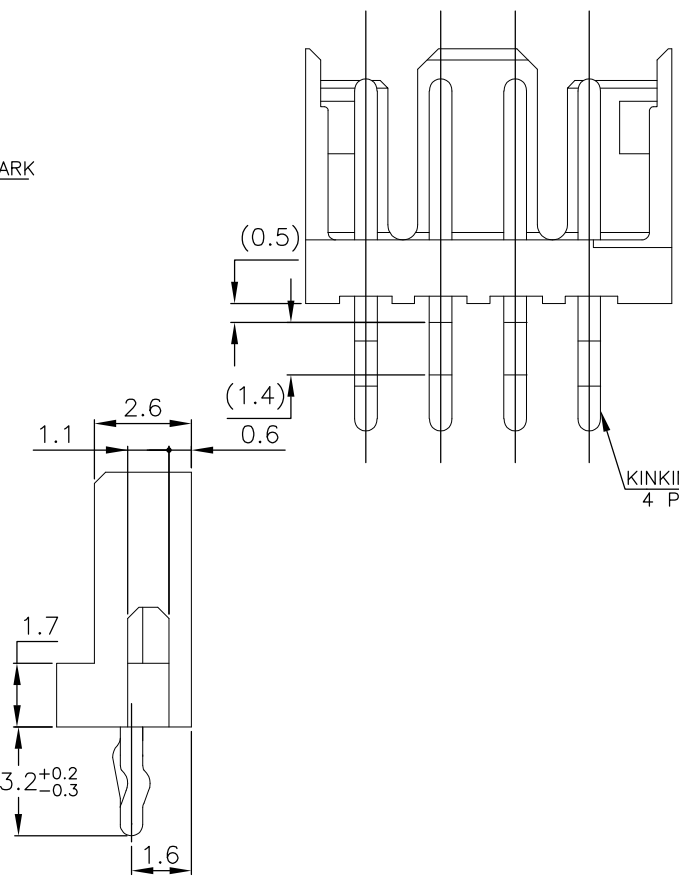
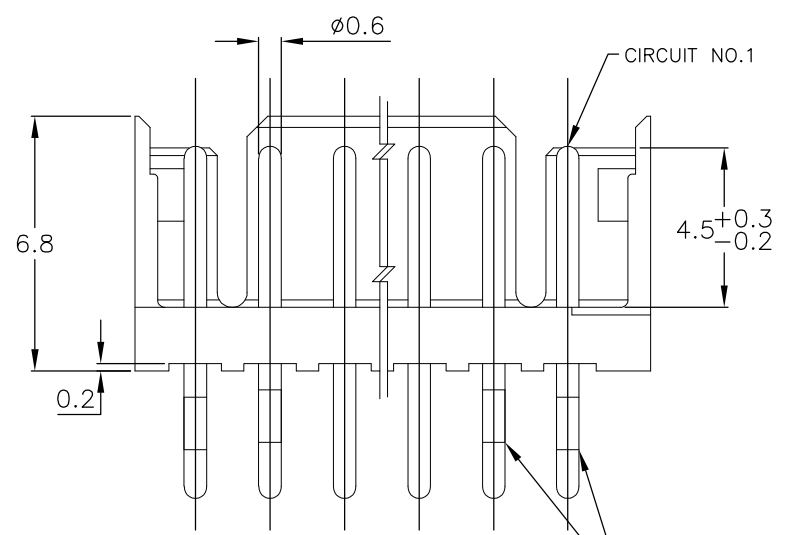
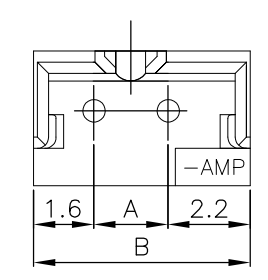
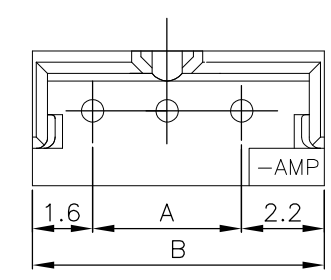
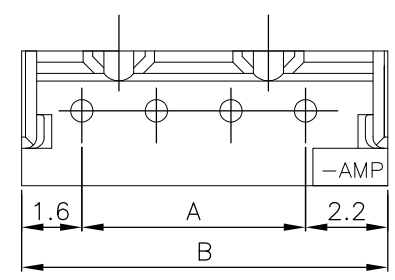
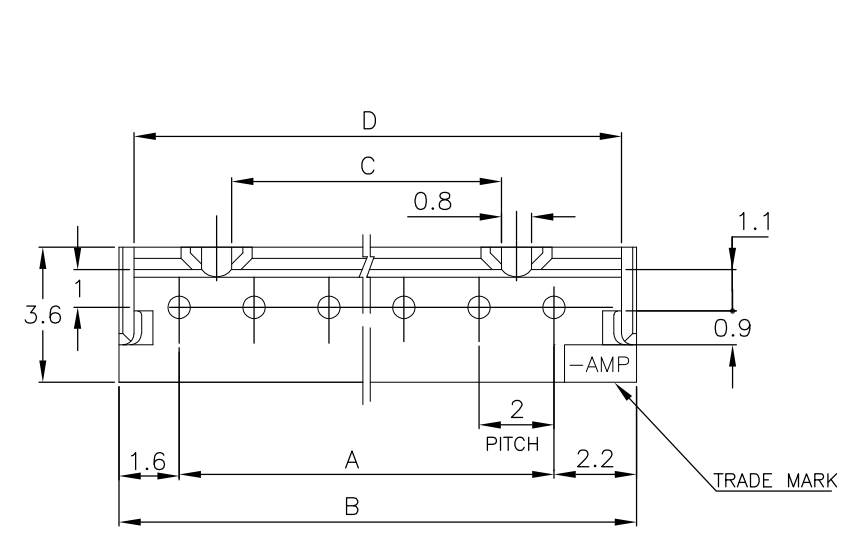


THIS DRAWING IS UNPUBLISHED. RELEASED FOR PUBLICATION
 © COPYRIGHT - By - ALL RIGHTS RESERVED.

LOC FB	DIST 00	REVISIONS		
P	LTR	DESCRIPTION	DATE	DWN
P		REVISED PER ECO-11-005033	24MAR11	RK
				APVD HMR



4 POS.

3 POS.

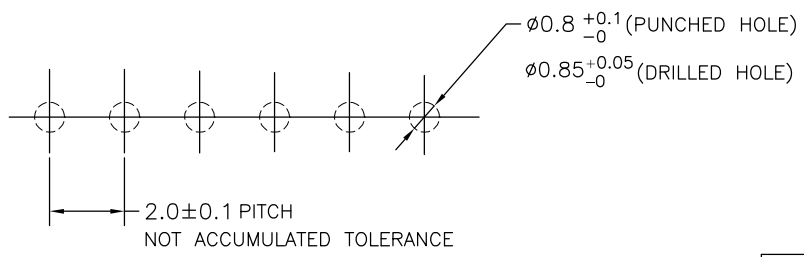
2 POS.

5~15 Pos.

NOTES:

- 1.MATERIAL: HOUSING - NYLON 66 (UL94V-0)
POST - TIN BRASS
- 2.APPLICABLE RECEPTACLE P/N 173977

	7-292161-5	5-292161-5	3-292161-5	1-292161-5	15	28	31.8	25.2	31.0
	7- ↑ -4	5- ↑ -4	3- ↑ -4	1- ↑ -4	14	26	29.8	23.2	29.0
	7- -3	5- -3	3- -3	1- -3	13	24	27.8	21.2	27.0
9-292161-2	7- -2	5- -2	3- -2	1- -2	12	22	25.8	19.2	25.0
9- ↑ -1	7- -1	5- -1	3- -1	1- -1	11	20	23.8	17.2	23.0
9- -0	7- -0	5- -0	3- -0	1- -0	10	18	21.8	15.2	21.0
8- -9	6- -9	4- -9	2- -9	-9	9	16	19.8	13.2	19.0
8- -8	6- -8	4- -8	2- -8	-8	8	14	17.8	11.2	17.0
8- -7	6- -7	4- -7	2- -7	-7	7	12	15.8	9.2	15.0
8- -6	6- -6	4- -6	2- -6	-6	6	10	13.8	7.2	13.0
8- -5	6- -5	4- -5	2- -5	-5	5	8	11.8	5.2	11.0
8- -4	6- -4	4- -4	2- -4	-4	4	6	9.8	3.2	9.0
8- ↓ -3	6- ↓ -3	4- ↓ -3	2- ↓ -3	↓ -3	3	4	7.8	-	7.0
8-292161-2	6-292161-2	4-292161-2	2-292161-2	292161-2	2	2	5.8	-	5.0
RED	BLACK	YELLOW	BLUE	NATURAL	Pos.	A	B	C	D



RECOMMENDABLE PCB LAYOUT
 (PCB THK:0.8-1.6)

TOLERANCES UNLESS OTHERWISE SPECIFIED:

10 > *	:	±0.2
30 > * > 10	:	±0.25
100 > * > 30	:	±0.3
ANGLE	:	±3°

THIS DRAWING IS A CONTROLLED DOCUMENT.

DIMENSIONS:	TOLERANCES UNLESS OTHERWISE SPECIFIED:
mm	0 PLC ± -
	1 PLC ± -
	2 PLC ± -
	3 PLC ± -
	4 PLC ± -
	ANGLES ± -
MATERIAL	FINISH
SEE NOTE	SEE NOTE

DWN S.XU	31JAN03	STE TE Connectivity
CHK S.YAO	31JAN03	
APVD T. SASAKI	31JAN03	
PRODUCT SPEC 108-60016		
NAME POST HEADER ASS'Y VERTICAL TYPE (AMP CT CONNECTOR 2mm PITCH)		
APPLICATION SPEC		
WEIGHT		
CUSTOMER DRAWING	SCALE 5:1	RESTRICTED TO
	SHEET 1 OF 1	REV P