

**PLEASE CHECK WWW.MOLEX.COM FOR LATEST PART INFORMATION**

**Part Number:** [0878981066](#)  
**Status:** **Active**  
**Overview:** [kk](#)  
**Description:** 2.54mm (.100") Pitch KK® Header, Surface Mount, Breakaway, Vertical, 10 Circuits, 2.54µm (100µ") Tin (Sn) Plating, Tube Packaging, without Cap, Lead-free

**Documents:**

[Drawing \(PDF\)](#) [RoHS Certificate of Compliance \(PDF\)](#)  
[Product Specification PS-87920-019 \(PDF\)](#)

**General**

Product Family	PCB Headers
Series	<a href="#">87898</a>
Application	Board-to-Board, Wire-to-Board
Overview	<a href="#">kk</a>
Product Name	KK®

**Physical**

Breakaway	Yes
Circuits (Loaded)	10
Circuits (maximum)	10
Color - Resin	Black
First Mate / Last Break	No
Glow-Wire Compliant	No
Guide to Mating Part	No
Keying to Mating Part	None
Lock to Mating Part	None
Material - Metal	Copper Alloy
Material - Plating Mating	Tin
Material - Plating Termination	Tin
Material - Resin	Nylon
Number of Rows	1
Orientation	Vertical
PCB Locator	No
PCB Retention	None
Packaging Type	Tube
Pitch - Mating Interface (in)	0.100 In
Pitch - Mating Interface (mm)	2.54 mm
Pitch - Term. Interface (in)	0.100 In
Pitch - Term. Interface (mm)	2.54 mm
Polarized to Mating Part	No
Polarized to PCB	No
Robotic Placement	None
Shrouded	No
Stackable	No
Temperature Range - Operating	-55°C to +105°C
Termination Interface: Style	Surface Mount

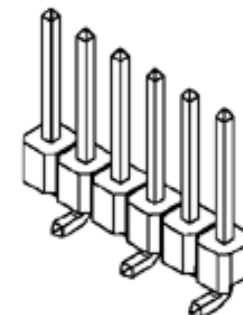
**Electrical**

Current - Maximum per Contact	3A
Voltage - Maximum	250V

**Material Info**

**Reference - Drawing Numbers**

Packaging Specification	PK-89990-545
Product Specification	PS-87920-019



*image - Reference only*

*Series*

**EU RoHS**

**ELV and RoHS  
Compliant**  
**REACH SVHC  
Not Reviewed**  
**Halogen-Free  
Status**

**China RoHS**



**Need more information on product  
environmental compliance?**

Email [productcompliance@molex.com](mailto:productcompliance@molex.com)  
For a multiple part number RoHS Certificate of Compliance, [click here](#)

Please visit the [Contact Us](#) section for any non-product compliance questions.

**Search Parts in this Series**

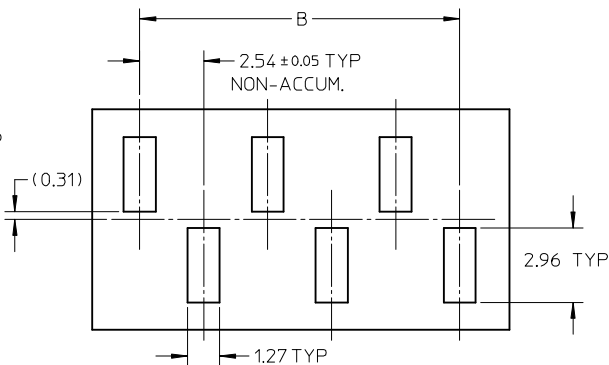
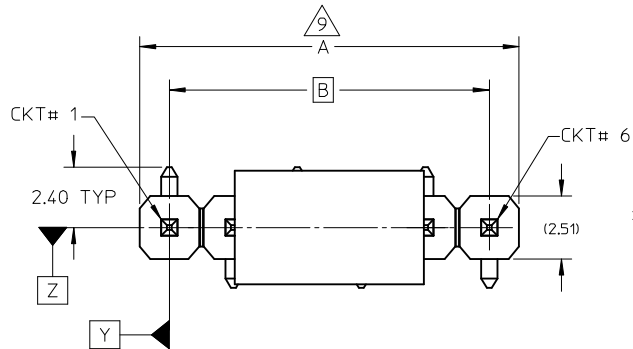
[87898Series](#)

**Mates With**

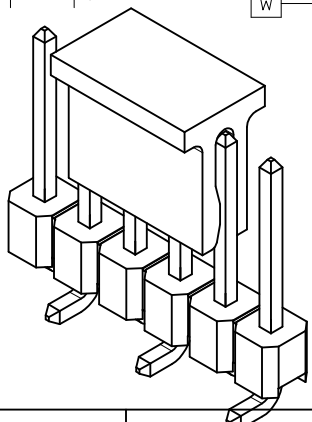
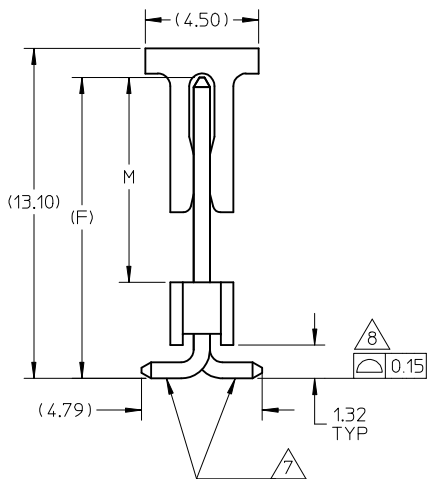
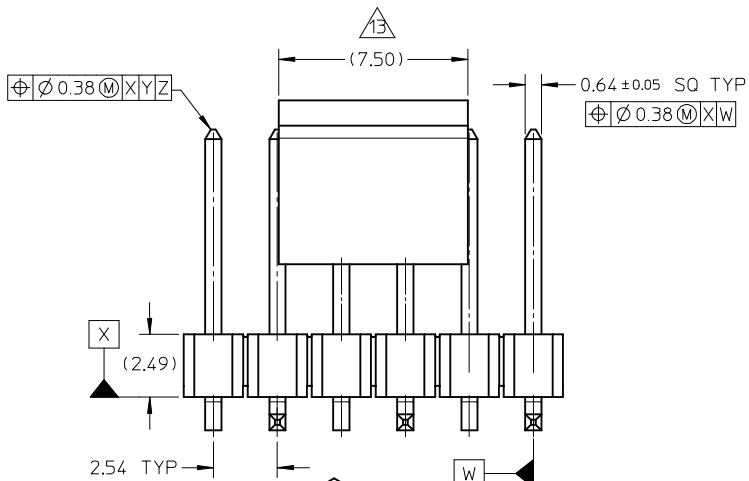
KK® PCB Receptacles [4455](#). SL™ IDT Housings [70430](#) , [7720](#), [70400](#). C-Grid® PCB Receptacles [90147](#), [90148](#)

This document was generated on 05/25/2010

**PLEASE CHECK [WWW.MOLEX.COM](http://WWW.MOLEX.COM) FOR LATEST PART INFORMATION**



**RECOMMENDED PCB LAYOUT**

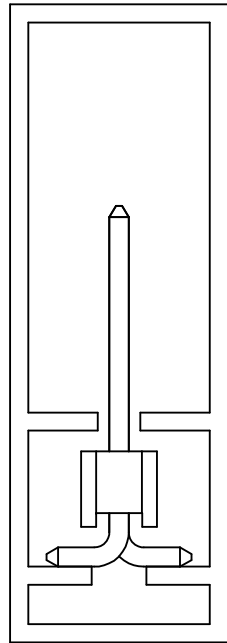


**NOTES:**

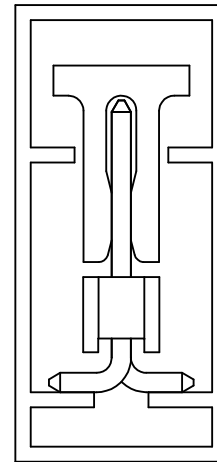
1. MATERIAL:  
HSG: NYLON, GLASS-FILLED, UL94V-0, COLOR: BLACK  
PIN: 0.64MM SQ, COPPER ALLOY
2. PLATING TYPE:  
(1) GOLD FLASH OVER  
1.25µm MIN. NICKEL OVERALL.  
(2) GOLD FLASH ON CONTACT AND  
2.50µm MIN. TIN ON SOLDER TAIL OVER  
1.25µm MIN. NICKEL OVERALL.  
(4) 0.38µm MIN. GOLD PLATE ON CONTACT AND  
2.00µm MIN. TIN ON SOLDER TAIL OVER  
1.25µm MIN. NICKEL OVERALL.  
(5) 0.75µm MIN. GOLD PLATE ON CONTACT AND  
2.00µm MIN. TIN ON SOLDER TAIL OVER  
1.25µm MIN. NICKEL OVERALL.  
(6) 2.50µm MIN. TIN OVERALL  
1.25µm MIN. NICKEL OVERALL
3. PRODUCT SPECIFICATION: PS-87920-019
4. PACKAGING TYPE: SEE TABLE
5. PACKAGING SPEC: PK-89990-545
6. WAFER TO BE FLAT WITHIN 0.003 mm/mm
7. BEND DEPRESSION IS ACCEPTED SO LONG AS IT DOES NOT AFFECT THE OVERALL COPLANARITY OF TAIL
8. COPLANARITY IS TO BE MEASURED BY RESTING THE SOLDER TAIL ON A FLAT SURFACE
9. IRREGULAR CIRCUIT CUTOFF WITHIN BREAKAWAY SECTION IS PERMISSIBLE. CUTTING OR CHIPPING OF THE MAIN BODY IS NOT ACCEPTABLE
10. TUBE LENGTH AS PER STANDARD 560mm
11. RECOMMENDED PCB THICKNESS IS 1.60mm ± 0.10
12. THE ABOVE CKT 6 IS FOR ILLUSTRATION PURPOSE ONLY
13. CAP LOCATION IS CENTERED ALONG THE MATING ENDS AS SHOWN. TOP SURFACE OF CAP TO BE FLAT FOR THE PURPOSE OF PICK & PLACE BY VACUUM SUCTION NOZZLE.

REVISE T&R QTY EC NO: S2009-0327 DRWN:SKANG 2008/11/26 CHKD:ATSEE 2008/11/27 APPR:MLONG 2008/11/28	QUALITY SYMBOLS	GENERAL TOLERANCES (UNLESS SPECIFIED)		DIMENSION STYLE	SCALE	DESIGN UNITS	THIRD ANGLE PROJECTION
	▽=0 ∠=0	mm	INCH	MM ONLY	NTS	METRIC	
		4 PLACES ± --- ± ---	3 PLACES ± --- ± ---	DRAWN BY SKLIM01	DATE 2005/10/26	TITLE	
		2 PLACES ± 0.2 ± ---	1 PLACE ± --- ± ---	CHECKED BY NAGESHKN	DATE 2005/10/30	CUSTOM HEADER 2.54MM PITCH SINGLE ROW SINGLE WAFER SMT HEADER	
	ANGULAR ± 3 °	DRAFT WHERE APPLICABLE MUST REMAIN WITHIN DIMENSIONS		APPROVED BY PTLIM	DATE 2005/11/07	MOLEX INCORPORATED	
				MATERIAL NO.	SEE TABLE	DOCUMENT NO.	SHEET NO.
				SIZE A3	THIS DRAWING CONTAINS INFORMATION THAT IS PROPRIETARY TO MOLEX INCORPORATED AND SHOULD NOT BE USED WITHOUT WRITTEN PERMISSION		SD-87898-003 1 OF 17

**PART WITHOUT CAP  
IN TUBE  
ORIENTATION**



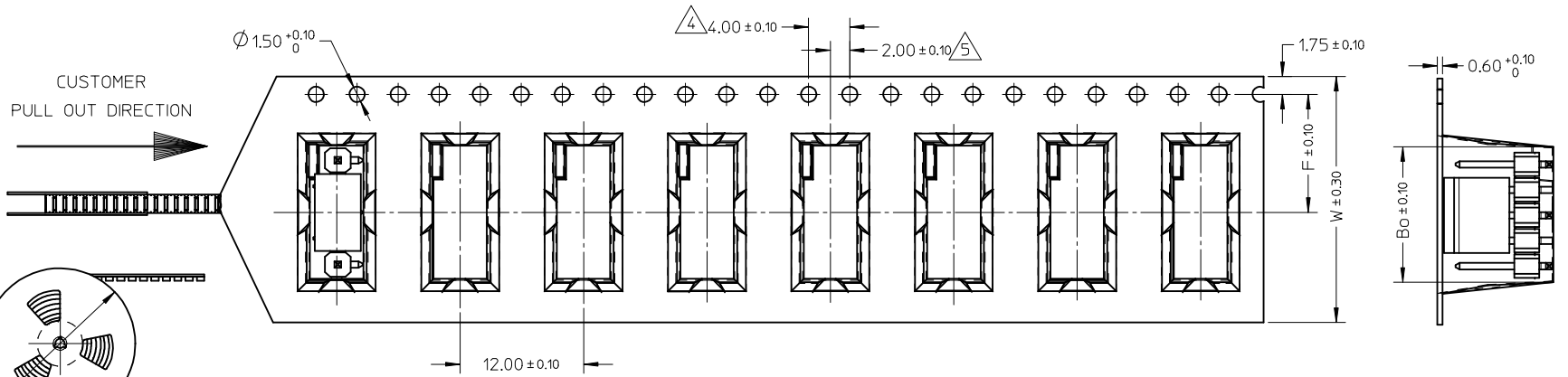
**PART WITH CAP  
IN TUBE  
ORIENTATION**



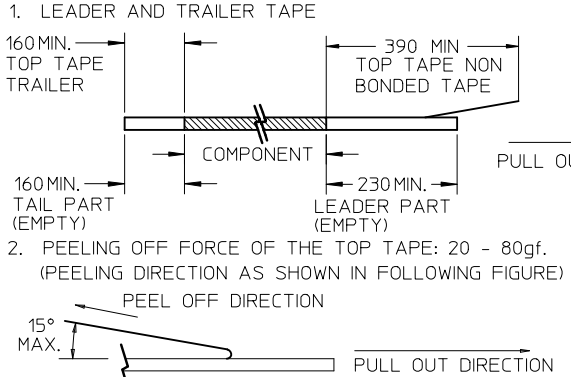
REVISE T&R QTY EC NO: S2009-0327 DRWN:SKANG CHKD:ATSEE APPR:MLONG	2008/11/26 2008/11/27 2008/11/28	DESCRIPTION REV	QUALITY SYMBOLS	GENERAL TOLERANCES (UNLESS SPECIFIED) mm INCH 4 PLACES ± --- ± --- 3 PLACES ± --- ± --- 2 PLACES ± 0.2 ± --- 1 PLACE ± --- ± --- ANGULAR ± 3 °	DIMENSION STYLE MM ONLY DRAWN BY SKLIM01 CHECKED BY NAGESHKN APPROVED BY PTLIM DATE 2005/10/26 DATE 2005/10/30 DATE 2005/11/07	SCALE NTS DESIGN UNITS METRIC THIRD ANGLE PROJECTION	TITLE CUSTOM HEADER 2.54MM PITCH SINGLE ROW SINGLE WAFER SMT HEADER MOLEX INCORPORATED	DOCUMENT NO. SD-87898-003	SHEET NO. 2 OF 17
			▼=0 □=0						
			DRAFT WHERE APPLICABLE MUST REMAIN WITHIN DIMENSIONS						
			SIZE A3						
THIS DRAWING CONTAINS INFORMATION THAT IS PROPRIETARY TO MOLEX INCORPORATED AND SHOULD NOT BE USED WITHOUT WRITTEN PERMISSION									

10 9 8 7 6 5 4 3 2 1

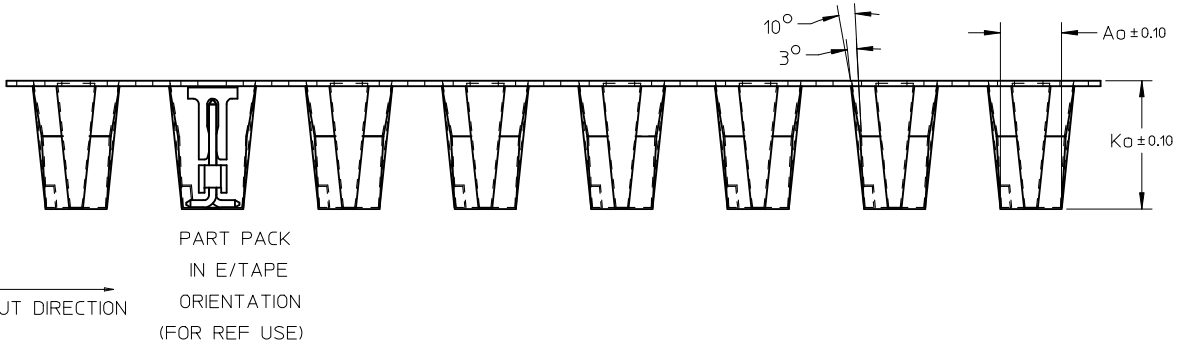
CKT	DIMENSION				
	Bo	Ao	Ko	F	W
3	8.02	5.20	13.60	11.50	24.00
5	13.10	5.20	13.60	11.50	24.00



NOTES:



- LEADER AND TRAILER TAPE
- PEELING OFF FORCE OF THE TOP TAPE: 20 - 80gf. (PEELING DIRECTION AS SHOWN IN FOLLOWING FIGURE)
- MATERIAL: BLACK P.S CONDUCTIVE, BLACK
- MEASURED FROM CENTRELINE OF SPROCKET HOLE TO CENTRELINE OF SPOCKET
- CUMULATIVE TOLERANCE OF 10 SPROCKET HOLE IS ±0.20mm
- A0 AND B0 ARE MEASURE FROM ABOVE POCKET BASE 0.30mm
- TAPE AND REEL SPECIFICATION IS AS PER EIA-481.
- TAPE AND REEL QUANTITY : 320PCS/REEL
- THE TAPE IS TREATED FOR ANTI-STATIC.
- ALL RADIUS ARE 0.30MM UNLESS SPECIFY
- SURFACE RESISTIVITY 10<sup>3</sup> TO 10 OHMS.



REVISE T&R QTY	DESCRIPTION
EC NO: S2009-0327	2008/11/26
DRWN:SKANG	2008/11/27
CHKD:ATSEE	2008/11/28
APPR:MLONG	2008/11/28
B2	REV

QUALITY SYMBOLS	GENERAL TOLERANCES (UNLESS SPECIFIED)	
	mm	INCH
▽=0	4 PLACES ± ---	± ---
∇=0	3 PLACES ± ---	± ---
	2 PLACES ± 0.2	± ---
	1 PLACE ± ---	± ---
	ANGULAR ± 3 °	
	DRAFT WHERE APPLICABLE MUST REMAIN WITHIN DIMENSIONS	

DIMENSION STYLE	
MM ONLY	
DRAWN BY	DATE
SKLIM01	2005/10/26
CHECKED BY	DATE
NAGESHKN	2005/10/30
APPROVED BY	DATE
PTLIM	2005/11/07
MATERIAL NO.	DOCUMENT NO.
SEE TABLE	SD-87898-003
SIZE	THIS DRAWING CONTAINS INFORMATION THAT IS PROPRIETARY TO MOLEX INCORPORATED AND SHOULD NOT BE USED WITHOUT WRITTEN PERMISSION
A3	

SCALE	DESIGN UNITS	THIRD ANGLE PROJECTION
NTS	METRIC	
TITLE		
CUSTOM HEADER		
2.54MM PITCH SINGLE ROW		
SINGLE WAFER SMT HEADER		
MOLEX INCORPORATED		
DOCUMENT NO.		SHEET NO.
SD-87898-003		3 OF 17

9 8 7 6 5 4 3 2 1

PACKAGING OPTION PART NO.						CKT SIZE	VOID POSITION	PLATING TYPE	DIMENSION			
TRAY WITHOUT CAP	TRAY WITH CAP	TUBE WITHOUT CAP	TUBE WITH CAP	TAPE & REEL WITHOUT CAP	TAPE & REEL WITH CAP				A	B	F	M
87898-0361	-----	-----	-----	-----	-----	3	----	1	7.62	5.08	11.94	8.13
87898-0362	-----	-----	-----	-----	-----	3	----	2	7.62	5.08	11.94	8.13
87898-0364	-----	-----	-----	-----	-----	3	----	4	7.62	5.08	11.94	8.13
87898-0365	-----	-----	-----	-----	-----	3	----	5	7.62	5.08	11.94	8.13
87898-0366	-----	-----	87898-0367	-----	87898-0368	3	----	6	7.62	5.08	11.94	8.13


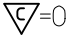
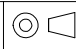
REVISE T&R QTY EC NO: S2009-0327 DRWN:SKANG CHKD:ATSEE APPR:MLONG	2008/11/26 2008/11/27 2008/11/28	DESCRIPTION REV	QUALITY SYMBOLS	GENERAL TOLERANCES (UNLESS SPECIFIED) 4 PLACES ± --- ± --- 3 PLACES ± --- ± --- 2 PLACES ± 0.2 ± --- 1 PLACE ± --- ± --- ANGULAR ± 3 °	DIMENSION STYLE <b>MM ONLY</b> DRAWN BY SKLIM01 CHECKED BY NAGESHKN APPROVED BY PTLIM	SCALE NTS DESIGN UNITS METRIC THIRD ANGLE PROJECTION	TITLE <b>CUSTOM HEADER          2.54MM PITCH SINGLE ROW          SINGLE WAFER SMT HEADER</b> <b>MOLEX INCORPORATED</b>	MATERIAL NO. <b>SEE TABLE</b> SIZE <b>A3</b>	DATE 2005/10/26 DATE 2005/10/30 DATE 2005/11/07	DOCUMENT NO. <b>SD-87898-003</b>	SHEET NO. <b>4 OF 17</b>		
			=0 =0									DRAFT WHERE APPLICABLE MUST REMAIN WITHIN DIMENSIONS	THIS DRAWING CONTAINS INFORMATION THAT IS PROPRIETARY TO MOLEX INCORPORATED AND SHOULD NOT BE USED WITHOUT WRITTEN PERMISSION

PACKAGING OPTION PART NO.


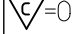
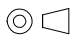
F	TRY WITHOUT CAP	TRY WITH CAP	TUBE WITHOUT CAP	TUBE WITH CAP	TAPE & REEL WITHOUT CAP	TAPE & REEL WITH CAP	CKT SIZE	VOID POSITION	PLATING TYPE	DIMENSION			
	A	B	F	M									
-----	-----	87898-0461	-----	-----	-----	-----	4	----	1	10.16	7.62	11.94	8.13
-----	-----	87898-0462	-----	-----	-----	-----	4	----	2	10.16	7.62	11.94	8.13
-----	-----	87898-0464	-----	-----	-----	-----	4	----	4	10.16	7.62	11.94	8.13
-----	-----	87898-0465	-----	-----	-----	-----	4	----	5	10.16	7.62	11.94	8.13
-----	-----	87898-0466	-----	-----	-----	-----	4	----	6	10.16	7.62	11.94	8.13
-----	-----	87898-0561	-----	-----	-----	-----	5	----	1	12.70	10.16	11.94	8.13
-----	-----	87898-0562	-----	-----	-----	-----	5	----	2	12.70	10.16	11.94	8.13
-----	-----	87898-0564	-----	-----	-----	-----	5	----	4	12.70	10.16	11.94	8.13
-----	-----	87898-0565	-----	-----	-----	-----	5	----	5	12.70	10.16	11.94	8.13
-----	-----	87898-0566	87898-0567	-----	87898-0568	-----	5	----	6	12.70	10.16	11.94	8.13
-----	-----	87898-0661	-----	-----	-----	-----	6	----	1	15.24	12.70	11.94	8.13
-----	-----	87898-0662	-----	-----	-----	-----	6	----	2	15.24	12.70	11.94	8.13
-----	-----	87898-0664	-----	-----	-----	-----	6	----	4	15.24	12.70	11.94	8.13
-----	-----	87898-0665	-----	-----	-----	-----	6	----	5	15.24	12.70	11.94	8.13
-----	-----	87898-0666	-----	-----	-----	-----	6	----	6	15.24	12.70	11.94	8.13

REVISE T&R QTY EC NO: S2009-0327 DRWN:SKANG 2008/11/26 CHYKD:ATSEE 2008/11/27 APPR:MLONG 2008/11/28	QUALITY SYMBOLS ▽=0 ◻=0	GENERAL TOLERANCES (UNLESS SPECIFIED)		DIMENSION STYLE MM ONLY		SCALE NTS	DESIGN UNITS METRIC	THIRD ANGLE PROJECTION		
			mm	INCH	DRAWN BY	DATE	TITLE			
		4 PLACES	± ---	± ---	SKLIM01	2005/10/26	CUSTOM HEADER 2.54MM PITCH SINGLE ROW SINGLE WAFER SMT HEADER			
		3 PLACES	± ---	± ---	CHECKED BY	DATE				
2 PLACES	± 0.2	± ---	NAGESHKN	2005/10/30	MOLEX INCORPORATED					
1 PLACE	± ---	± ---	APPROVED BY	DATE						
ANGULAR ± 3 °			PTLIM	2005/11/07	MATERIAL NO.		DOCUMENT NO.			
DRAFT WHERE APPLICABLE MUST REMAIN WITHIN DIMENSIONS			SEE TABLE		SD-87898-003		SHEET NO. 5 OF 17			
			SIZE A3		THIS DRAWING CONTAINS INFORMATION THAT IS PROPRIETARY TO MOLEX INCORPORATED AND SHOULD NOT BE USED WITHOUT WRITTEN PERMISSION					

PACKAGING OPTION PART NO.						CKT SIZE	VOID POSITION	PLATING TYPE	DIMENSION			
TRY WITHOUT CAP	TRY WITH CAP	TUBE WITHOUT CAP	TUBE WITH CAP	TAPE & REEL WITHOUT CAP	TAPE & REEL WITH CAP				A	B	F	M
-----	-----	87898-07261	-----	-----	-----	7	----	1	17.78	15.24	11.94	8.13
-----	-----	87898-0762	-----	-----	-----	7	----	2	17.78	15.24	11.94	8.13
-----	-----	87898-0764	-----	-----	-----	7	----	4	17.78	15.24	11.94	8.13
-----	-----	87898-0765	-----	-----	-----	7	----	5	17.78	15.24	11.94	8.13
-----	-----	87898-0766	-----	-----	-----	7	----	6	17.78	15.24	11.94	8.13
-----	-----	87898-0861	-----	-----	-----	8	----	1	20.32	17.78	11.94	8.13
-----	-----	87898-0862	-----	-----	-----	8	----	2	20.32	17.78	11.94	8.13
-----	-----	87898-0864	-----	-----	-----	8	----	4	20.32	17.78	11.94	8.13
-----	-----	87898-0865	-----	-----	-----	8	----	5	20.32	17.78	11.94	8.13
-----	-----	87898-0866	-----	-----	-----	8	----	6	20.32	17.78	11.94	8.13
-----	-----	87898-0961	-----	-----	-----	9	----	1	22.86	20.32	11.94	8.13
-----	-----	87898-0962	-----	-----	-----	9	----	2	22.86	20.32	11.94	8.13
-----	-----	87898-0964	-----	-----	-----	9	----	4	22.86	20.32	11.94	8.13
-----	-----	87898-0965	-----	-----	-----	9	----	5	22.86	20.32	11.94	8.13
-----	-----	87898-0966	-----	-----	-----	9	----	6	22.86	20.32	11.94	8.13

REVISE T&R QTY EC NO: S2009-0327 DRWN:SKANG 2008/11/26 CHKD:ATSEE 2008/11/27 APPR:MLONG 2008/11/28	DESCRIPTION REV	QUALITY SYMBOLS  = 0  = 0	GENERAL TOLERANCES (UNLESS SPECIFIED) <table border="1"> <tr><th colspan="2">mm</th><th>INCH</th></tr> <tr><td>4 PLACES</td><td>± ---</td><td>± ---</td></tr> <tr><td>3 PLACES</td><td>± ---</td><td>± ---</td></tr> <tr><td>2 PLACES</td><td>± 0.2</td><td>± ---</td></tr> <tr><td>1 PLACE</td><td>± ---</td><td>± ---</td></tr> </table>	mm		INCH	4 PLACES	± ---	± ---	3 PLACES	± ---	± ---	2 PLACES	± 0.2	± ---	1 PLACE	± ---	± ---	DIMENSION STYLE <b>MM ONLY</b>	SCALE <b>NTS</b>	DESIGN UNITS <b>METRIC</b>	 THIRD ANGLE PROJECTION
		mm		INCH																		
		4 PLACES	± ---	± ---																		
		3 PLACES	± ---	± ---																		
2 PLACES	± 0.2	± ---																				
1 PLACE	± ---	± ---																				
DRAWN BY SKLIM01	DATE 2005/10/26	TITLE <b>CUSTOM HEADER          2.54MM PITCH SINGLE ROW          SINGLE WAFER SMT HEADER</b>																				
CHECKED BY NAGESHKN	DATE 2005/10/30	<b>MOLEX INCORPORATED</b>																				
APPROVED BY PTLIM	DATE 2005/11/07	MATERIAL NO. <b>SEE TABLE</b>	DOCUMENT NO. <b>SD-87898-003</b>																			

PACKAGING OPTION PART NO.						CKT SIZE	VOID POSITION	PLATING TYPE	DIMENSION			
TRY WITHOUT CAP	TRY WITH CAP	TUBE WITHOUT CAP	TUBE WITH CAP	TAPE & REEL WITHOUT CAP	TAPE & REEL WITH CAP				A	B	F	M
-----	-----	87898-1061	-----	-----	-----	10	-----	1	25.40	22.86	11.94	8.13
-----	-----	87898-1062	-----	-----	-----	10	-----	2	25.40	22.86	11.94	8.13
-----	-----	87898-1064	-----	-----	-----	10	-----	4	25.40	22.86	11.94	8.13
-----	-----	87898-1065	-----	-----	-----	10	-----	5	25.40	22.86	11.94	8.13
-----	-----	87898-1066	-----	-----	-----	10	-----	6	25.40	22.86	11.94	8.13
-----	-----	87898-1161	-----	-----	-----	11	-----	1	27.94	25.40	11.94	8.13
-----	-----	87898-1162	-----	-----	-----	11	-----	2	27.94	25.40	11.94	8.13
-----	-----	87898-1164	-----	-----	-----	11	-----	4	27.94	25.40	11.94	8.13
-----	-----	87898-1165	-----	-----	-----	11	-----	5	27.94	25.40	11.94	8.13
-----	-----	87898-1166	-----	-----	-----	11	-----	6	27.94	25.40	11.94	8.13
-----	-----	87898-1261	-----	-----	-----	12	-----	1	30.48	27.94	11.94	8.13
-----	-----	87898-1262	-----	-----	-----	12	-----	2	30.48	27.94	11.94	8.13
-----	-----	87898-1264	-----	-----	-----	12	-----	4	30.48	27.94	11.94	8.13
-----	-----	87898-1265	-----	-----	-----	12	-----	5	30.48	27.94	11.94	8.13
-----	-----	87898-1266	-----	-----	-----	12	-----	6	30.48	27.94	11.94	8.13

<b>REVISE T&amp;R QTY</b> EC NO: S2009-0327 DRWN:SKANG 2008/11/26 CHKD:ATSEE 2008/11/27 APPR:MLONG 2008/11/28 <b>B2</b>	<b>QUALITY SYMBOLS</b>  = 0  = 0	<b>GENERAL TOLERANCES (UNLESS SPECIFIED)</b> <table border="1"> <tr><th></th><th>mm</th><th>INCH</th></tr> <tr><td>4 PLACES</td><td>± ---</td><td>± ---</td></tr> <tr><td>3 PLACES</td><td>± ---</td><td>± ---</td></tr> <tr><td>2 PLACES</td><td>± 0.2</td><td>± ---</td></tr> <tr><td>1 PLACE</td><td>± ---</td><td>± ---</td></tr> </table>		mm	INCH	4 PLACES	± ---	± ---	3 PLACES	± ---	± ---	2 PLACES	± 0.2	± ---	1 PLACE	± ---	± ---	<b>DIMENSION STYLE</b> <b>MM ONLY</b>	<b>SCALE</b> NTS	<b>DESIGN UNITS</b> METRIC	 <b>THIRD ANGLE PROJECTION</b>
		mm	INCH																		
	4 PLACES	± ---	± ---																		
	3 PLACES	± ---	± ---																		
	2 PLACES	± 0.2	± ---																		
1 PLACE	± ---	± ---																			
<b>DESCRIPTION</b> DRAFT WHERE APPLICABLE MUST REMAIN WITHIN DIMENSIONS	<table border="1"> <tr><th>DRAWN BY</th><th>DATE</th></tr> <tr><td>SKLIM01</td><td>2005/10/26</td></tr> <tr><th>CHECKED BY</th><th>DATE</th></tr> <tr><td>NAGESHKN</td><td>2005/10/30</td></tr> <tr><th>APPROVED BY</th><th>DATE</th></tr> <tr><td>PTLIM</td><td>2005/11/07</td></tr> </table>	DRAWN BY	DATE	SKLIM01	2005/10/26	CHECKED BY	DATE	NAGESHKN	2005/10/30	APPROVED BY	DATE	PTLIM	2005/11/07	<b>TITLE</b> CUSTOM HEADER 2.54MM PITCH SINGLE ROW SINGLE WAFER SMT HEADER	<b>MATERIAL NO.</b> SEE TABLE	<b>DOCUMENT NO.</b> SD-87898-003	<b>SHEET NO.</b> 7 OF 17				
DRAWN BY	DATE																				
SKLIM01	2005/10/26																				
CHECKED BY	DATE																				
NAGESHKN	2005/10/30																				
APPROVED BY	DATE																				
PTLIM	2005/11/07																				
<b>SIZE</b> A3	THIS DRAWING CONTAINS INFORMATION THAT IS PROPRIETARY TO MOLEX INCORPORATED AND SHOULD NOT BE USED WITHOUT WRITTEN PERMISSION																				

PACKAGING OPTION PART NO.

TRY WITHOUT CAP	TRY WITH CAP	TUBE WITHOUT CAP	TUBE WITH CAP	TAPE & REEL WITHOUT CAP	TAPE & REEL WITH CAP	CKT SIZE	VOID POSITION	PLATING TYPE	DIMENSION			
									A	B	F	M
-----	-----	87898-1361	-----	-----	-----	13	----	1	33.02	30.48	11.94	8.13
-----	-----	87898-1362	-----	-----	-----	13	----	2	33.02	30.48	11.94	8.13
-----	-----	87898-1364	-----	-----	-----	13	----	4	33.02	30.48	11.94	8.13
-----	-----	87898-1365	-----	-----	-----	13	----	5	33.02	30.48	11.94	8.13
-----	-----	87898-1366	-----	-----	-----	13	----	6	33.02	30.48	11.94	8.13
-----	-----	87898-1461	-----	-----	-----	14	----	1	35.56	33.02	11.94	8.13
-----	-----	87898-1462	-----	-----	-----	14	----	2	35.56	33.02	11.94	8.13
-----	-----	87898-1464	-----	-----	-----	14	----	4	35.56	33.02	11.94	8.13
-----	-----	87898-1465	-----	-----	-----	14	----	5	35.56	33.02	11.94	8.13
-----	-----	87898-1466	-----	-----	-----	14	----	6	35.56	33.02	11.94	8.13
-----	-----	87898-1561	-----	-----	-----	15	----	1	38.10	35.56	11.94	8.13
-----	-----	87898-1562	-----	-----	-----	15	----	2	38.10	35.56	11.94	8.13
-----	-----	87898-1564	-----	-----	-----	15	----	4	38.10	35.56	11.94	8.13
-----	-----	87898-1565	-----	-----	-----	15	----	5	38.10	35.56	11.94	8.13
-----	-----	87898-1566	-----	-----	-----	15	----	6	38.10	35.56	11.94	8.13

REVISE T&R QTY EC NO: S2009-0327 DRWN:SKANG 2008/11/26 CHKD:ATSEE 2008/11/27 APPR:MLONG 2008/11/28	QUALITY SYMBOLS =0 =0	GENERAL TOLERANCES (UNLESS SPECIFIED)		DIMENSION STYLE MM ONLY		SCALE NTS	DESIGN UNITS METRIC	THIRD ANGLE PROJECTION			
		4 PLACES ± --- ± ---	3 PLACES ± --- ± ---	DRAWN BY SKLIM01	DATE 2005/10/26	TITLE CUSTOM HEADER 2.54MM PITCH SINGLE ROW SINGLE WAFER SMT HEADER					
		2 PLACES ± 0.2 ± ---	1 PLACE ± --- ± ---	CHECKED BY NAGESHKN	DATE 2005/10/30	APPROVED BY PTLIM					
		ANGULAR ± 3 °		DATE 2005/11/07	MATERIAL NO. SEE TABLE		DOCUMENT NO. SD-87898-003		SHEET NO. 8 OF 17		

PACKAGING OPTION PART NO.

TRY WITHOUT CAP	TRY WITH CAP	TUBE WITHOUT CAP	TUBE WITH CAP	TAPE & REEL WITHOUT CAP	TAPE & REEL WITH CAP	CKT SIZE	VOID POSITION	PLATING TYPE	DIMENSION			
									A	B	F	M
-----	-----	87898-1661	-----	-----	-----	16	-----	1	40.64	38.10	11.94	8.13
-----	-----	87898-1662	-----	-----	-----	16	-----	2	40.64	38.10	11.94	8.13
-----	-----	87898-1664	-----	-----	-----	16	-----	4	40.64	38.10	11.94	8.13
-----	-----	87898-1665	-----	-----	-----	16	-----	5	40.64	38.10	11.94	8.13
-----	-----	87898-1666	-----	-----	-----	16	-----	6	40.64	38.10	11.94	8.13
-----	-----	87898-1761	-----	-----	-----	17	-----	1	43.18	40.64	11.94	8.13
-----	-----	87898-1762	-----	-----	-----	17	-----	2	43.18	40.64	11.94	8.13
-----	-----	87898-1764	-----	-----	-----	17	-----	4	43.18	40.64	11.94	8.13
-----	-----	87898-1765	-----	-----	-----	17	-----	5	43.18	40.64	11.94	8.13
-----	-----	87898-1766	-----	-----	-----	17	-----	6	43.18	40.64	11.94	8.13
-----	-----	87898-1861	-----	-----	-----	18	-----	1	45.72	43.18	11.94	8.13
-----	-----	87898-1862	-----	-----	-----	18	-----	2	45.72	43.18	11.94	8.13
-----	-----	87898-1864	-----	-----	-----	18	-----	4	45.72	43.18	11.94	8.13
-----	-----	87898-1865	-----	-----	-----	18	-----	5	45.72	43.18	11.94	8.13
-----	-----	87898-1866	-----	-----	-----	18	-----	6	45.72	43.18	11.94	8.13

REVISE T&R QTY EC NO: S2009-0327 DRWN:SKANG 2008/11/26 CHYKD:ATSEE 2008/11/27 APPR:MLONG 2008/11/28	QUALITY SYMBOLS ▽=0 ◻=0	GENERAL TOLERANCES (UNLESS SPECIFIED)		DIMENSION STYLE MM ONLY		SCALE NTS	DESIGN UNITS METRIC	THIRD ANGLE PROJECTION			
		4 PLACES ± --- ± ---	3 PLACES ± --- ± ---	2 PLACES ± 0.2 ± ---	1 PLACE ± --- ± ---	ANGULAR ± 3 °	DRAWN BY SKLIM01	DATE 2005/10/26	TITLE CUSTOM HEADER 2.54MM PITCH SINGLE ROW SINGLE WAFER SMT HEADER		
		DRAFT WHERE APPLICABLE MUST REMAIN WITHIN DIMENSIONS					CHECKED BY NAGESHKN	DATE 2005/10/30	MOLEX INCORPORATED		
		SEE TABLE					APPROVED BY PTLIM	DATE 2005/11/07	MATERIAL NO. SD-87898-003	SHEET NO. 9 OF 17	

PACKAGING OPTION PART NO.

TRY WITHOUT CAP	TRY WITH CAP	TUBE WITHOUT CAP	TUBE WITH CAP	TAPE & REEL WITHOUT CAP	TAPE & REEL WITH CAP	CKT SIZE	VOID POSITION	PLATING TYPE	DIMENSION			
									A	B	F	M
-----	-----	87898-1961	-----	-----	-----	19	----	1	48.26	45.72	11.94	8.13
-----	-----	87898-1962	-----	-----	-----	19	----	2	48.26	45.72	11.94	8.13
-----	-----	87898-1964	-----	-----	-----	19	----	4	48.26	45.72	11.94	8.13
-----	-----	87898-1965	-----	-----	-----	19	----	5	48.26	45.72	11.94	8.13
-----	-----	87898-1966	-----	-----	-----	19	----	6	48.26	45.72	11.94	8.13
-----	-----	87898-2061	-----	-----	-----	20	----	1	50.80	48.26	11.94	8.13
-----	-----	87898-2062	-----	-----	-----	20	----	2	50.80	48.26	11.94	8.13
-----	-----	87898-2064	-----	-----	-----	20	----	4	50.80	48.26	11.94	8.13
-----	-----	87898-2065	-----	-----	-----	20	----	5	50.80	48.26	11.94	8.13
-----	-----	87898-2066	-----	-----	-----	20	----	6	50.80	48.26	11.94	8.13
-----	-----	87898-2161	-----	-----	-----	21	----	1	53.34	50.80	11.94	8.13
-----	-----	87898-2162	-----	-----	-----	21	----	2	53.34	50.80	11.94	8.13
-----	-----	87898-2164	-----	-----	-----	21	----	4	53.34	50.80	11.94	8.13
-----	-----	87898-2165	-----	-----	-----	21	----	5	53.34	50.80	11.94	8.13
-----	-----	87898-2166	-----	-----	-----	21	----	6	53.34	50.80	11.94	8.13

REVISE T&R QTY EC NO: S2009-0327 DRWN:SKANG 2008/11/26 CHYKD:ATSEE 2008/11/27 APPR:MLONG 2008/11/28	QUALITY SYMBOLS	GENERAL TOLERANCES (UNLESS SPECIFIED)	DIMENSION STYLE	SCALE	DESIGN UNITS	THIRD ANGLE PROJECTION
	▽=0 □=0	mm    INCH 4 PLACES ± --- ± --- 3 PLACES ± --- ± --- 2 PLACES ± 0.2 ± --- 1 PLACE ± --- ± --- ANGULAR ± 3 °	MM ONLY	NTS	METRIC	☉ □ THIRD ANGLE PROJECTION
	DESCRIPTION	DRAFT WHERE APPLICABLE MUST REMAIN WITHIN DIMENSIONS	DRAWN BY: SKLIM01    DATE: 2005/10/26 CHECKED BY: NAGESHKN    DATE: 2005/10/30 APPROVED BY: PTLIM    DATE: 2005/11/07	TITLE	CUSTOM HEADER 2.54MM PITCH SINGLE ROW SINGLE WAFER SMT HEADER	
	REV B2	SIZE A3	SEE TABLE	MATERIAL NO.	DOCUMENT NO.	SHEET NO.

PACKAGING OPTION PART NO.						CKT SIZE	VOID POSITION	PLATING TYPE	DIMENSION			
TRY WITHOUT CAP	TRY WITH CAP	TUBE WITHOUT CAP	TUBE WITH CAP	TAPE & REEL WITHOUT CAP	TAPE & REEL WITH CAP				A	B	F	M
F	-----	-----	87898-2261	-----	-----	22	----	1	55.88	53.34	11.94	8.13
	-----	-----	87898-2262	-----	-----	22	----	2	55.88	53.34	11.94	8.13
	-----	-----	87898-2264	-----	-----	22	----	4	55.88	53.34	11.94	8.13
	-----	-----	87898-2265	-----	-----	22	----	5	55.88	53.34	11.94	8.13
	-----	-----	87898-2266	-----	-----	22	----	6	55.88	53.34	11.94	8.13
E												
	-----	-----	87898-2361	-----	-----	23	----	1	58.42	55.88	11.94	8.13
	-----	-----	87898-2362	-----	-----	23	----	2	58.42	55.88	11.94	8.13
	-----	-----	87898-2364	-----	-----	23	----	4	58.42	55.88	11.94	8.13
	-----	-----	87898-2365	-----	-----	23	----	5	58.42	55.88	11.94	8.13
	-----	-----	87898-2366	-----	-----	23	----	6	58.42	55.88	11.94	8.13
D												
	-----	-----	87898-2461	-----	-----	24	----	1	60.96	58.42	11.94	8.13
	-----	-----	87898-2462	-----	-----	24	----	2	60.96	58.42	11.94	8.13
	-----	-----	87898-2464	-----	-----	24	----	4	60.96	58.42	11.94	8.13
	-----	-----	87898-2465	-----	-----	24	----	5	60.96	58.42	11.94	8.13
	-----	-----	87898-2466	-----	-----	24	----	6	60.96	58.42	11.94	8.13
C												

<b>REVISE T&amp;R QTY</b> EC NO: S2009-0327 2008/11/26 DRWN:SKANG 2008/11/27 CHKD:ATSEE 2008/11/27 APPR:MLONG 2008/11/28	<b>QUALITY SYMBOLS</b> =0 =0	<b>GENERAL TOLERANCES (UNLESS SPECIFIED)</b>		<b>DIMENSION STYLE</b> <b>MM ONLY</b>		<b>SCALE</b> NTS	<b>DESIGN UNITS</b> METRIC	<b>THIRD ANGLE PROJECTION</b>			
		4 PLACES ± --- ± --- 3 PLACES ± --- ± --- 2 PLACES ± 0.2 ± --- 1 PLACE ± --- ± ---	mm    INCH	DRAWN BY SKLIM01	DATE 2005/10/26	<b>TITLE</b> CUSTOM HEADER 2.54MM PITCH SINGLE ROW SINGLE WAFER SMT HEADER					
		ANGULAR ± 3 °		CHECKED BY NAGESHKN	DATE 2005/10/30	<b>MOLEX INCORPORATED</b>					
		DRAFT WHERE APPLICABLE MUST REMAIN WITHIN DIMENSIONS		APPROVED BY PTLIM	DATE 2005/11/07	MATERIAL NO. <b>SEE TABLE</b>	DOCUMENT NO. SD-87898-003	SHEET NO. 11 OF 17			

PACKAGING OPTION PART NO.

TRY WITHOUT CAP	TRY WITH CAP	TUBE WITHOUT CAP	TUBE WITH CAP	TAPE & REEL WITHOUT CAP	TAPE & REEL WITH CAP	CKT SIZE	VOID POSITION	PLATING TYPE	DIMENSION			
									A	B	F	M
-----	-----	87898-2561	-----	-----	-----	25	----	1	63.50	60.96	11.94	8.13
-----	-----	87898-2562	-----	-----	-----	25	----	2	63.50	60.96	11.94	8.13
-----	-----	87898-2564	-----	-----	-----	25	----	4	63.50	60.96	11.94	8.13
-----	-----	87898-2565	-----	-----	-----	25	----	5	63.50	60.96	11.94	8.13
-----	-----	87898-2566	-----	-----	-----	25	----	6	63.50	60.96	11.94	8.13
-----	-----	87898-2661	-----	-----	-----	26	----	1	66.04	63.50	11.94	8.13
-----	-----	87898-2662	-----	-----	-----	26	----	2	66.04	63.50	11.94	8.13
-----	-----	87898-2664	-----	-----	-----	26	----	4	66.04	63.50	11.94	8.13
-----	-----	87898-2665	-----	-----	-----	26	----	5	66.04	63.50	11.94	8.13
-----	-----	87898-2666	-----	-----	-----	26	----	6	66.04	63.50	11.94	8.13
-----	-----	87898-2761	-----	-----	-----	27	----	1	68.58	66.04	11.94	8.13
-----	-----	87898-2762	-----	-----	-----	27	----	2	68.58	66.04	11.94	8.13
-----	-----	87898-2764	-----	-----	-----	27	----	4	68.58	66.04	11.94	8.13
-----	-----	87898-2765	-----	-----	-----	27	----	5	68.58	66.04	11.94	8.13
-----	-----	87898-2766	-----	-----	-----	27	----	6	68.58	66.04	11.94	8.13

REVISE T&R QTY EC NO: S2009-0327 DRWN:SKANG CHKD:ATSEE APPR:MLONG 2008/11/26 2008/11/27 2008/11/28	QUALITY SYMBOLS	GENERAL TOLERANCES (UNLESS SPECIFIED)	DIMENSION STYLE	SCALE	DESIGN UNITS	THIRD ANGLE PROJECTION
	▽=0 □=0	mm    INCH 4 PLACES ± --- ± --- 3 PLACES ± --- ± --- 2 PLACES ± 0.2 ± --- 1 PLACE ± --- ± --- ANGULAR ± 3 °	MM ONLY	NTS	METRIC	☉ □ THIRD ANGLE PROJECTION
	DESCRIPTION	DRAFT WHERE APPLICABLE MUST REMAIN WITHIN DIMENSIONS	DRAWN BY	DATE	TITLE	
	REV		SKLIM01	2005/10/26	CUSTOM HEADER	
	B2		PTLIM	2005/11/07	2.54MM PITCH SINGLE ROW SINGLE WAFER SMT HEADER	
				MOLEX INCORPORATED		
				SEE TABLE	SD-87898-003	SHEET NO. 12 OF 17
				THIS DRAWING CONTAINS INFORMATION THAT IS PROPRIETARY TO MOLEX INCORPORATED AND SHOULD NOT BE USED WITHOUT WRITTEN PERMISSION		

PACKAGING OPTION PART NO.						CKT SIZE	VOID POSITION	PLATING TYPE	DIMENSION			
TRY WITHOUT CAP	TRY WITH CAP	TUBE WITHOUT CAP	TUBE WITH CAP	TAPE & REEL WITHOUT CAP	TAPE & REEL WITH CAP				A	B	F	M
-----	-----	87898-2861	-----	-----	-----	28	----	1	71.12	68.58	11.94	8.13
-----	-----	87898-2862	-----	-----	-----	28	----	2	71.12	68.58	11.94	8.13
-----	-----	87898-2864	-----	-----	-----	28	----	4	71.12	68.58	11.94	8.13
-----	-----	87898-2865	-----	-----	-----	28	----	5	71.12	68.58	11.94	8.13
-----	-----	87898-2866	-----	-----	-----	28	----	6	71.12	68.58	11.94	8.13
-----	-----	87898-2961	-----	-----	-----	29	----	1	73.66	71.12	11.94	8.13
-----	-----	87898-2962	-----	-----	-----	29	----	2	73.66	71.12	11.94	8.13
-----	-----	87898-2964	-----	-----	-----	29	----	4	73.66	71.12	11.94	8.13
-----	-----	87898-2965	-----	-----	-----	29	----	5	73.66	71.12	11.94	8.13
-----	-----	87898-2966	-----	-----	-----	29	----	6	73.66	71.12	11.94	8.13
-----	-----	87898-3061	-----	-----	-----	30	----	1	76.20	73.66	11.94	8.13
-----	-----	87898-3062	-----	-----	-----	30	----	2	76.20	73.66	11.94	8.13
-----	-----	87898-3064	-----	-----	-----	30	----	4	76.20	73.66	11.94	8.13
-----	-----	87898-3065	-----	-----	-----	30	----	5	76.20	73.66	11.94	8.13
-----	-----	87898-3066	-----	-----	-----	30	----	6	76.20	73.66	11.94	8.13

<b>REVISE T&amp;R QTY</b> EC NO: S2009-0327 2008/11/26 DRWN:SKANG 2008/11/27 CHKD:ATSEE 2008/11/27 APPR:MLONG 2008/11/28	QUALITY SYMBOLS	GENERAL TOLERANCES (UNLESS SPECIFIED)		DIMENSION STYLE <b>MM ONLY</b>		SCALE NTS	DESIGN UNITS METRIC	THIRD ANGLE PROJECTION	
	▼=0	mm	INCH	DRAWN BY	DATE	TITLE			
	∇=0	4 PLACES ± --- ± ---	SKLIM01	2005/10/26	CUSTOM HEADER				
		3 PLACES ± --- ± ---	CHECKED BY	DATE	2.54MM PITCH SINGLE ROW				
		2 PLACES ± 0.2 ± ---	NAGESHKN	2005/10/30	SINGLE WAFER SMT HEADER				
	1 PLACE ± --- ± ---	APPROVED BY	DATE	MOLEX INCORPORATED					
	ANGULAR ± 3 °	PTLIM	2005/11/07	MATERIAL NO.		DOCUMENT NO.		SHEET NO.	
		DRAFT WHERE APPLICABLE MUST REMAIN WITHIN DIMENSIONS		SEE TABLE		SD-87898-003		13 OF 17	
		THIS DRAWING CONTAINS INFORMATION THAT IS PROPRIETARY TO MOLEX INCORPORATED AND SHOULD NOT BE USED WITHOUT WRITTEN PERMISSION							

PACKAGING OPTION PART NO.						CKT SIZE	VOID POSITION	PLATING TYPE	DIMENSION			
TRY WITHOUT CAP	TRY WITH CAP	TUBE WITHOUT CAP	TUBE WITH CAP	TAPE & REEL WITHOUT CAP	TAPE & REEL WITH CAP				A	B	F	M
-----	-----	87898-3161	-----	-----	-----	31	----	1	78.74	76.20	11.94	8.13
-----	-----	87898-3162	-----	-----	-----	31	----	2	78.74	76.20	11.94	8.13
-----	-----	87898-3164	-----	-----	-----	31	----	4	78.74	76.20	11.94	8.13
-----	-----	87898-3165	-----	-----	-----	31	----	5	78.74	76.20	11.94	8.13
-----	-----	87898-3166	-----	-----	-----	31	----	6	78.74	76.20	11.94	8.13
-----	-----	87898-3261	-----	-----	-----	32	----	1	81.28	78.74	11.94	8.13
-----	-----	87898-3262	-----	-----	-----	32	----	2	81.28	78.74	11.94	8.13
-----	-----	87898-3264	-----	-----	-----	32	----	4	81.28	78.74	11.94	8.13
-----	-----	87898-3265	-----	-----	-----	32	----	5	81.28	78.74	11.94	8.13
-----	-----	87898-3266	-----	-----	-----	32	----	6	81.28	78.74	11.94	8.13
-----	-----	87898-3361	-----	-----	-----	33	----	1	83.82	81.28	11.94	8.13
-----	-----	87898-3362	-----	-----	-----	33	----	2	83.82	81.28	11.94	8.13
-----	-----	87898-3364	-----	-----	-----	33	----	4	83.82	81.28	11.94	8.13
-----	-----	87898-3365	-----	-----	-----	33	----	5	83.82	81.28	11.94	8.13
-----	-----	87898-3366	-----	-----	-----	33	----	6	83.82	81.28	11.94	8.13

B

REVISE T&R QTY EC NO: S2009-0327 DRWN:SKANG 2008/11/26 CHKD:ATSEE 2008/11/27 APPR:MLONG 2008/11/28	DESCRIPTION REV	QUALITY SYMBOLS ▽=0 ◻=0	GENERAL TOLERANCES (UNLESS SPECIFIED) mm INCH 4 PLACES ± --- ± --- 3 PLACES ± --- ± --- 2 PLACES ± 0.2 ± --- 1 PLACE ± --- ± --- ANGULAR ± 3 °	DIMENSION STYLE MM ONLY DRAWN BY SKLIM01 DATE 2005/10/26 CHECKED BY NAGESHKN DATE 2005/10/30 APPROVED BY PTLIM DATE 2005/11/07	SCALE NTS DESIGN UNITS METRIC THIRD ANGLE PROJECTION	TITLE CUSTOM HEADER 2.54MM PITCH SINGLE ROW SINGLE WAFER SMT HEADER
		DRAFT WHERE APPLICABLE MUST REMAIN WITHIN DIMENSIONS	MATERIAL NO. SEE TABLE SIZE A3	MOLEX INCORPORATED DOCUMENT NO. SD-87898-003	SHEET NO. 14 OF 17	
		THIS DRAWING CONTAINS INFORMATION THAT IS PROPRIETARY TO MOLEX INCORPORATED AND SHOULD NOT BE USED WITHOUT WRITTEN PERMISSION				
		B2				

PACKAGING OPTION PART NO.						CKT SIZE	VOID POSITION	PLATING TYPE	DIMENSION			
TRY WITHOUT CAP	TRY WITH CAP	TUBE WITHOUT CAP	TUBE WITH CAP	TAPE & REEL WITHOUT CAP	TAPE & REEL WITH CAP				A	B	F	M
-----	-----	87898-3461	-----	-----	-----	34	----	1	86.36	83.82	11.94	8.13
-----	-----	87898-3462	-----	-----	-----	34	----	2	86.36	83.82	11.94	8.13
-----	-----	87898-3464	-----	-----	-----	34	----	4	86.36	83.82	11.94	8.13
-----	-----	87898-3465	-----	-----	-----	34	----	5	86.36	83.82	11.94	8.13
-----	-----	87898-3466	-----	-----	-----	34	----	6	86.36	83.82	11.94	8.13
-----	-----	87898-3561	-----	-----	-----	35	----	1	88.90	86.36	11.94	8.13
-----	-----	87898-3562	-----	-----	-----	35	----	2	88.90	86.36	11.94	8.13
-----	-----	87898-3564	-----	-----	-----	35	----	4	88.90	86.36	11.94	8.13
-----	-----	87898-3565	-----	-----	-----	35	----	5	88.90	86.36	11.94	8.13
-----	-----	87898-3566	-----	-----	-----	35	----	6	88.90	86.36	11.94	8.13
-----	-----	87898-3661	-----	-----	-----	36	----	1	91.44	88.90	11.94	8.13
-----	-----	87898-3662	-----	-----	-----	36	----	2	91.44	88.90	11.94	8.13
-----	-----	87898-3664	-----	-----	-----	36	----	4	91.44	88.90	11.94	8.13
-----	-----	87898-3665	-----	-----	-----	36	----	5	91.44	88.90	11.94	8.13
-----	-----	87898-3666	-----	-----	-----	36	----	6	91.44	88.90	11.94	8.13

REVISE T&R QTY EC NO: S2009-0327 DRWN:SKANG CHKD:ATSEE APPR:MLONG	2008/11/26 2008/11/27 2008/11/28	DESCRIPTION REV	QUALITY SYMBOLS =0 =0.2	GENERAL TOLERANCES (UNLESS SPECIFIED) mm      INCH 4 PLACES ± --- ± --- 3 PLACES ± --- ± --- 2 PLACES ± 0.2 ± --- 1 PLACE ± --- ± --- ANGULAR ± 3 °	DIMENSION STYLE <b>MM ONLY</b> DRAWN BY: SKLIM01      DATE: 2005/10/26 CHECKED BY: NAGESHKN      DATE: 2005/10/30 APPROVED BY: PTLIM      DATE: 2005/11/07	SCALE NTS	DESIGN UNITS METRIC	THIRD ANGLE PROJECTION	TITLE <b>CUSTOM HEADER          2.54MM PITCH SINGLE ROW          SINGLE WAFER SMT HEADER</b>	MATERIAL NO. <b>SEE TABLE</b>	DOCUMENT NO. <b>SD-87898-003</b>	SHEET NO. 15 OF 17
			DRAFT WHERE APPLICABLE MUST REMAIN WITHIN DIMENSIONS									
			THIS DRAWING CONTAINS INFORMATION THAT IS PROPRIETARY TO MOLEX INCORPORATED AND SHOULD NOT BE USED WITHOUT WRITTEN PERMISSION									
			SIZE <b>A3</b>									

PACKAGING OPTION PART NO.

F	TRY WITHOUT CAP	TRY WITH CAP	TUBE WITHOUT CAP	TUBE WITH CAP	TAPE & REEL WITHOUT CAP	TAPE & REEL WITH CAP	CKT SIZE	VOID POSITION	PLATING TYPE	DIMENSION			
	A	B	F	M									
	-----	-----	87898-3761	-----	-----	-----	37	----	1	93.98	91.44	11.94	8.13
	-----	-----	87898-3762	-----	-----	-----	37	----	2	93.98	91.44	11.94	8.13
	-----	-----	87898-3764	-----	-----	-----	37	----	4	93.98	91.44	11.94	8.13
	-----	-----	87898-3765	-----	-----	-----	37	----	5	93.98	91.44	11.94	8.13
	-----	-----	87898-3766	-----	-----	-----	37	----	6	93.98	91.44	11.94	8.13
E													
	-----	-----	87898-3861	-----	-----	-----	38	----	1	96.52	93.98	11.94	8.13
	-----	-----	87898-3862	-----	-----	-----	38	----	2	96.52	93.98	11.94	8.13
	-----	-----	87898-3864	-----	-----	-----	38	----	4	96.52	93.98	11.94	8.13
	-----	-----	87898-3865	-----	-----	-----	38	----	5	96.52	93.98	11.94	8.13
	-----	-----	87898-3866	-----	-----	-----	38	----	6	96.52	93.98	11.94	8.13
D													
	-----	-----	87898-3961	-----	-----	-----	39	----	1	99.06	96.52	11.94	8.13
	-----	-----	87898-3962	-----	-----	-----	39	----	2	99.06	96.52	11.94	8.13
	-----	-----	87898-3964	-----	-----	-----	39	----	4	99.06	96.52	11.94	8.13
	-----	-----	87898-3965	-----	-----	-----	39	----	5	99.06	96.52	11.94	8.13
	-----	-----	87898-3966	-----	-----	-----	39	----	6	99.06	96.52	11.94	8.13

REVISE T&R QTY EC NO: S2009-0327 DRWN:SKANG 2008/11/26 CHKD:ATSEE 2008/11/27 APPR:MLONG 2008/11/28	QUALITY SYMBOLS	GENERAL TOLERANCES (UNLESS SPECIFIED)	DIMENSION STYLE	SCALE	DESIGN UNITS	THIRD ANGLE PROJECTION
	▼=0 □=0	mm INCH	MM ONLY	NTS	METRIC	
		4 PLACES ± --- ± --- 3 PLACES ± --- ± --- 2 PLACES ± 0.2 ± --- 1 PLACE ± --- ± --- ANGULAR ± 3 °	DRAWN BY SKLIM01 DATE 2005/10/26 CHECKED BY NAGESHKN DATE 2005/10/30 APPROVED BY PTLIM DATE 2005/11/07	TITLE CUSTOM HEADER 2.54MM PITCH SINGLE ROW SINGLE WAFER SMT HEADER		
		DRAFT WHERE APPLICABLE MUST REMAIN WITHIN DIMENSIONS	MATERIAL NO. SEE TABLE SIZE A3 THIS DRAWING CONTAINS INFORMATION THAT IS PROPRIETARY TO MOLEX INCORPORATED AND SHOULD NOT BE USED WITHOUT WRITTEN PERMISSION	MOLEX MOLEX INCORPORATED DOCUMENT NO. SD-87898-003 SHEET NO. 16 OF 17		

PACKAGING OPTION PART NO.

TRY WITHOUT CAP	TRY WITH CAP	TUBE WITHOUT CAP	TUBE WITH CAP	TAPE & REEL WITHOUT CAP	TAPE & REEL WITH CAP	CKT SIZE	VOID POSITION	PLATING TYPE	DIMENSION			
									A	B	F	M
-----	-----	87898-4061	-----	-----	-----	40	----	1	101.6	99.06	11.94	8.13
-----	-----	87898-4062	-----	-----	-----	40	----	2	101.6	99.06	11.94	8.13
-----	-----	87898-4064	-----	-----	-----	40	----	4	101.6	99.06	11.94	8.13
-----	-----	87898-4065	-----	-----	-----	40	----	5	101.6	99.06	11.94	8.13
-----	-----	87898-4066	-----	-----	-----	40	----	6	101.6	99.06	11.94	8.13

REVISE T&R QTY EC NO: S2009-0327 DRWN:SKANG CHKD:ATSEE APPR:MLONG 2008/11/26 2008/11/27 2008/11/28	QUALITY SYMBOLS	GENERAL TOLERANCES (UNLESS SPECIFIED)		DIMENSION STYLE MM ONLY		SCALE NTS	DESIGN UNITS METRIC	THIRD ANGLE PROJECTION	
	▼=0	4 PLACES	± ---	± ---	DRAWN BY	DATE	TITLE		
	∇=0	3 PLACES	± ---	± ---	CHECKED BY	DATE	CUSTOM HEADER		
		2 PLACES	± 0.2	± ---	NAGESHKN	2005/10/30	2.54MM PITCH SINGLE ROW		
		1 PLACE	± ---	± ---	APPROVED BY	DATE	SINGLE WAFER SMT HEADER		
		ANGULAR ± 3 °		PTLIM	2005/11/07	MOLEX INCORPORATED			
		DRAFT WHERE APPLICABLE MUST REMAIN WITHIN DIMENSIONS		MATERIAL NO. SEE TABLE		DOCUMENT NO. SD-87898-003		SHEET NO. 17 OF 17	
				SIZE A3	THIS DRAWING CONTAINS INFORMATION THAT IS PROPRIETARY TO MOLEX INCORPORATED AND SHOULD NOT BE USED WITHOUT WRITTEN PERMISSION				