

LS4D18 Series Surface Mount Power Inductors



Features

- Will Handle Up To 1.72A
- Economical Design
- Suitable For Pick And Place
- Withstands Solder Reflow
- Shielded Design

Packaging

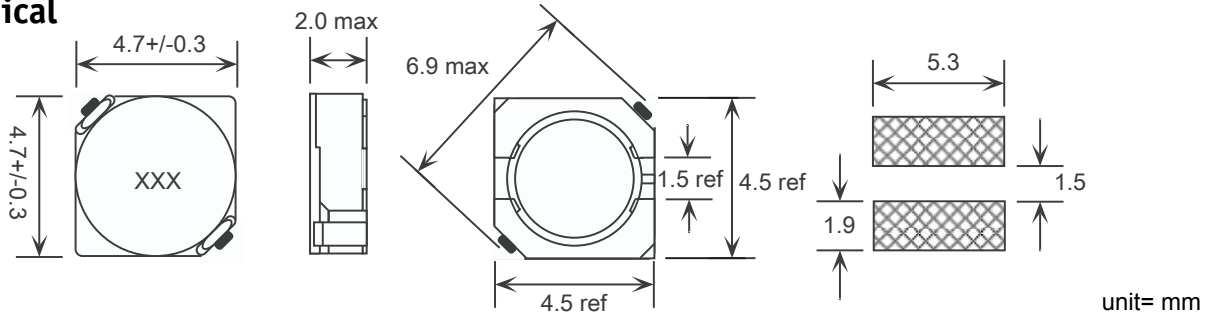
- Reel Diameter: 330mm
- Reel Width: 12.3mm
- Pieces Per Reel: 2000

Applications

- DC/DC Converters
- Output Power Chokes
- Handheld And PDA Applications
- Battery Powered Or Low Voltage Applications



Mechanical



Electrical Specifications

Part ⁶ Number	Inductance ¹ ($\mu\text{H} \pm 30\%$)	Test Frequency (kHz)	DCR max (Ω)	$I_{\text{DC}} \text{ max}^2$ (A)
LS4D18-1R0-RN	1.0	100	0.045	1.72
LS4D18-2R2-RN	2.2	100	0.075	1.32
LS4D18-2R7-RN	2.7	100	0.105	1.28
LS4D18-3R3-RN	3.3	100	0.110	1.04
LS4D18-3R9-RN	3.9	100	0.155	0.88
LS4D18-4R7-RN	4.7	100	0.162	0.84
LS4D18-5R6-RN	5.6	100	0.170	0.80
LS4D18-6R8-RN	6.8	100	0.200	0.76
LS4D18-8R2-RN	8.2	100	0.245	0.68
LS4D18-100-RN	10	100	0.200	0.61
LS4D18-120-RN	12	100	0.210	0.56
LS4D18-150-RN	15	100	0.240	0.50
LS4D18-180-RN	18	100	0.338	0.48
LS4D18-220-RN	22	100	0.397	0.41
LS4D18-270-RN	27	100	0.441	0.35
LS4D18-330-RN	33	100	0.694	0.32
LS4D18-390-RN	39	100	0.709	0.30
LS4D18-470-RN	47	100	0.922	0.28
LS4D18-560-RN	56	100	1.08	0.26
LS4D18-680-RN	68	100	1.30	0.24
LS4D18-820-RN	82	100	1.55	0.22
LS4D18-101-RN	100	100	1.73	0.20
LS4D18-121-RN	120	100	2.39	0.18
LS4D18-151-RN	150	100	2.67	0.15
LS4D18-181-RN	180	100	4.00	0.14

1. Tested @ 100kHz, 0.1Vrms.
2. Inductance drop = 35% at rated I_{DC} max.
3. Electrical specifications at 25°C.
4. Operating temperature range:
-40°C to +85°C.
5. Meets UL 94V-0.
6. Optional Tolerances: 10%(K), 15%(L),
and 20%(M).