

4

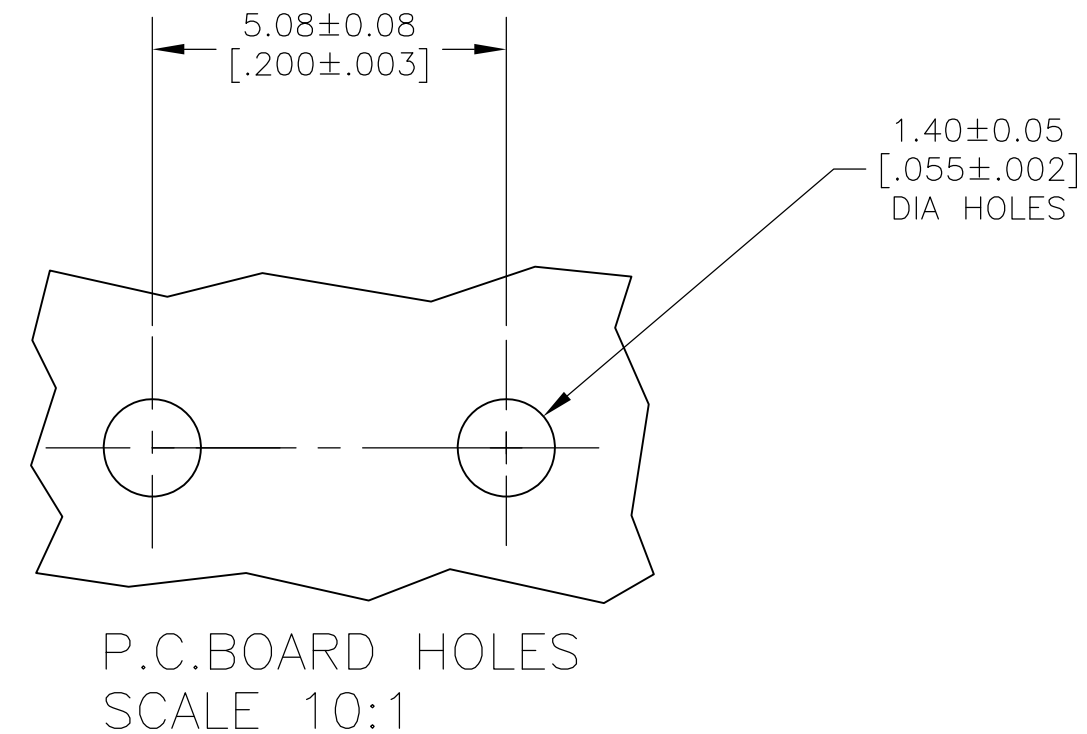
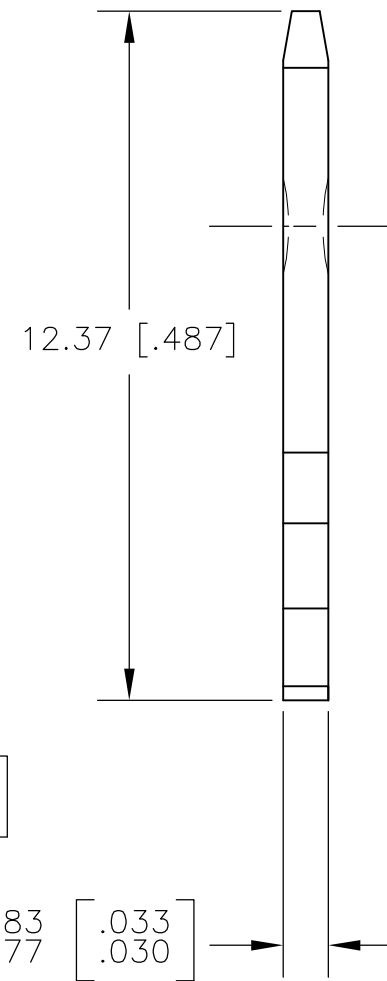
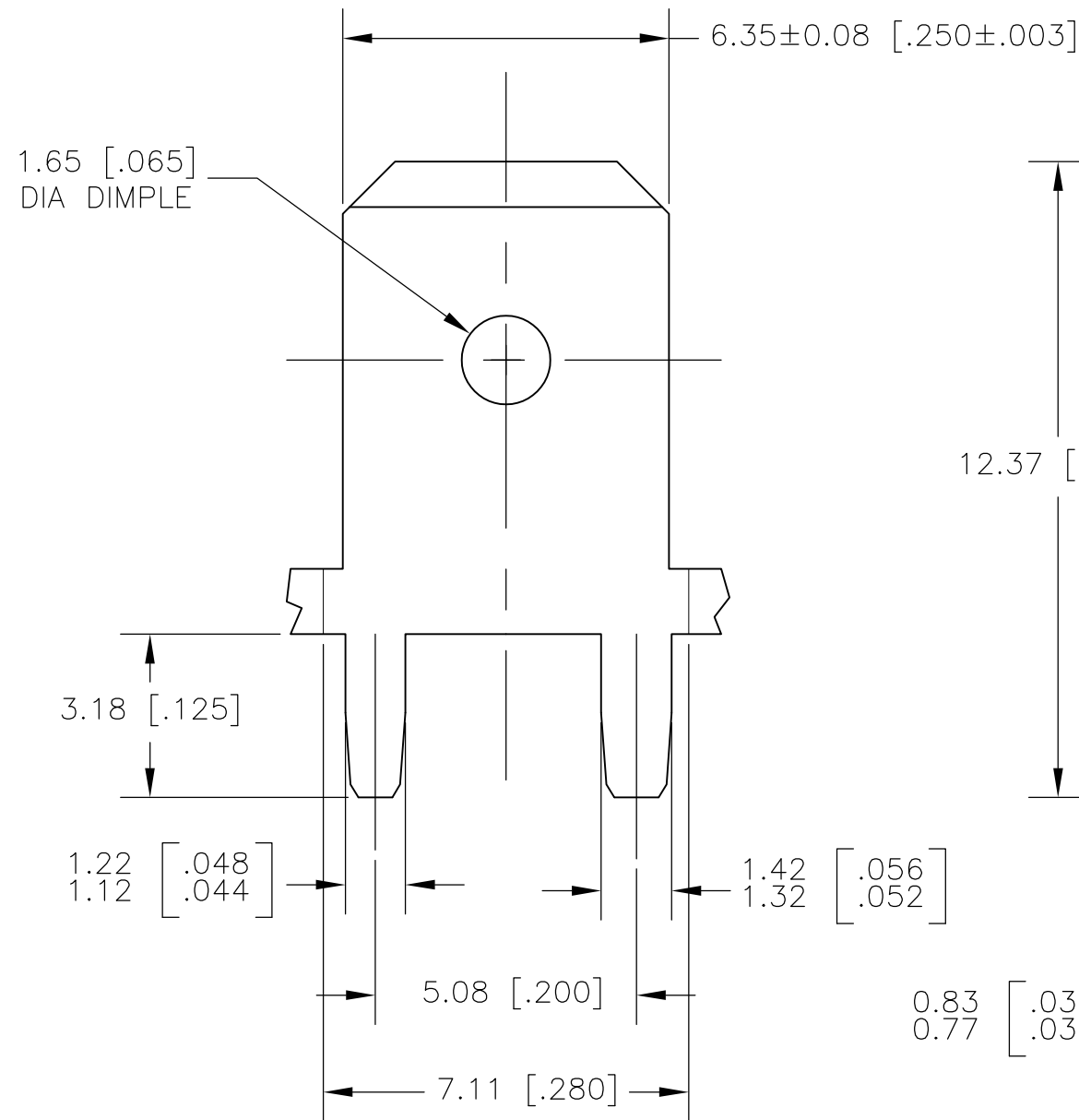
3

2

1

THIS DRAWING IS UNPUBLISHED. RELEASED FOR PUBLICATION - , - .
 © COPYRIGHT - By - ALL RIGHTS RESERVED.

LOC	DIST	REVISIONS			
P	LTR	DESCRIPTION	DATE	DWN	APVD
AF	50	J	REVISED PER ECR-13-001204	04JUN13	KH PD



1 CONTINUOUS STRIP ON REELS.
 2 0.00381 [.000150] MIN TIN OVER
 0.00254 [.000100] MIN THK COPPER.

62650-1
 PART NUMBER

THIS DRAWING IS A CONTROLLED DOCUMENT.		DWN JR RUTH 30NOV00	TE Connectivity NAME TAB, FASTON, PC BOARD, 6.35 [.250] SERIES				
DIMENSIONS: MM [INCHES]		CHK MS FEHER 30NOV00				APVD G PORTA 30NOV00	RESTRICTED TO
		PRODUCT SPEC -				APPLICATION SPEC 114-2112	SIZE A3
MATERIAL BRASS		FINISH TIN OVER COPPER				WEIGHT -	CAGE CODE 00779
TOLERANCES UNLESS OTHERWISE SPECIFIED: 0 PLC ± - 1 PLC ± - 2 PLC ± 0.38 [.015] 3 PLC ± - 4 PLC ± - ANGLES ± -		DRAWING NO C-62650					
CUSTOMER DRAWING			SCALE 8:1	SHEET 1 OF 1	REV J		