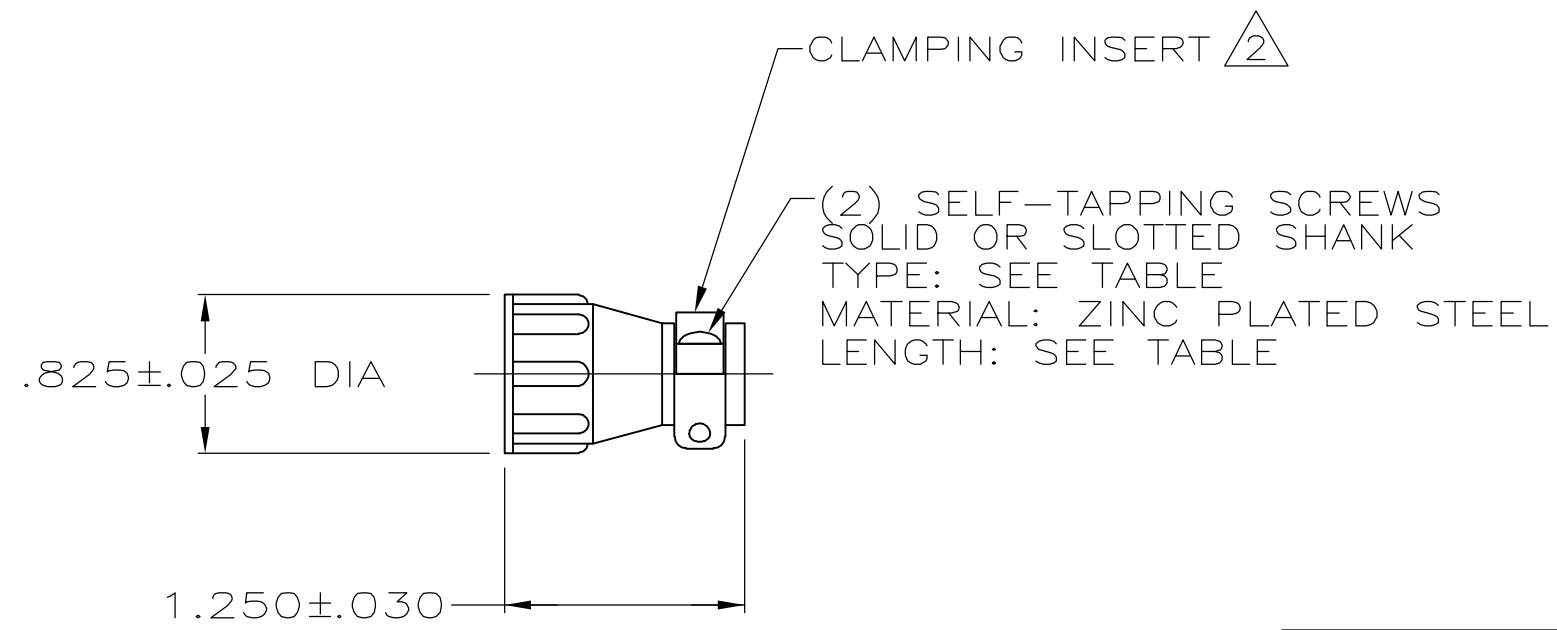


THIS DRAWING IS UNPUBLISHED. RELEASED FOR PUBLICATION
 © COPYRIGHT BY TYCO ELECTRONICS CORPORATION. ALL RIGHTS RESERVED.

LOC	DIST	REVISIONS					
FT	0	P	LTR	DESCRIPTION	DATE	DWN	APVD
			T	REVISED PER ECO-06-3414	2/21/06	SS	SH



1. PARTS PACKAGED UNASSEMBLED.
- △2 CABLE CLAMPING AREA ADJUSTABLE FROM .004 TO .055 SQ IN BY REVERSING CLAMPING INSERTS.
3. .329 MAXIMUM CABLE OUTSIDE DIAMETER.
- △4 BULK PACKAGED KITS TO BE ORDERED IN MULTIPLES OF 400 ONLY.
- △5 OBSOLETE PART NUMBER.
- △6 ZINC PLATED STEEL, HEXAVALENT CHROMATE.
- △7 STAINLESS STEEL (NON MAGNATIC).
- △8 CABLE CLAMP WITH NON-MAGNETIC STAINLESS STEEL SCREWS.
- △9 ZINC PLATED STEEL, NON-HEXAVALENT CHROMATE.

INDIVIDUAL	△9	.375	#5-20	1-206062-6
△4 BULK	△9	.375	#5-20	1-206062-5
INDIVIDUAL	△9	.500	#5-20	1-206062-4
INDIVIDUAL	△9	.625	#5-20	1-206062-3
△8 INDIVIDUAL	△7	.500	#5-20	1-206062-2
INDIVIDUAL	△6	.625	#5-20	1-206062-1
SMALL PACK	△6	.375	#5-20	1-206062-0
AMP BRAZIL USE ONLY	INDIVIDUAL	12mm	3mm-20	△5 206062-9
AMP BRAZIL USE ONLY	INDIVIDUAL	10mm	3mm-20	△5 206062-8
△4 BULK	△6	.500	#5-20	206062-4
INDIVIDUAL	△6	.500	#5-20	206062-3
△4 BULK	△6	.375	#5-20	206062-2
INDIVIDUAL	△6	.375	#5-20	206062-1
PACKAGING	SCREW FINISH	SCREW LENGTH	SCREW TYPE	PART NUMBER

AMP BRAZIL USE ONLY
 AMP BRAZIL USE ONLY

THIS DRAWING IS A CONTROLLED DOCUMENT.		DWN A GRAFF 4/29/91	Tyco Electronics Corporation Harrisburg, PA 17105-3608	
DIMENSIONS: INCHES		CHK W.G.LENKER 7-22-92	NAME CABLE CLAMP KIT, STANDARD, SHELL SIZE 11, CPC	
TOLERANCES UNLESS OTHERWISE SPECIFIED: 0 PLC ± - 1 PLC ± - 2 PLC ± - 3 PLC ± - 4 PLC ± - ANGLES ± -		APVD -	PRODUCT SPEC -	
MATERIAL THERMOPLASTIC,		FINISH -	APPLICATION SPEC -	RESTRICTED TO -
CUSTOMER DRAWING		WEIGHT -	SIZE A3	CAGE CODE 00779
		DRAWING NO C=206062		RESTRICTED TO -
		SCALE NTS	SHEET 1 OF 1	REV T