

HCO5

MC68HC05P18

MC68HC805P18

Advance Information

This document contains information on a new product.
Specifications and information herein are subject to change without notice.



**For More Information On This Product,
Go to: www.freescale.com**

List of Sections

Section 1. General Description	17
Section 2. Memory	27
Section 3. Central Processing Unit (CPU)	35
Section 4. Interrupts	41
Section 5. Resets	49
Section 6. Operating Modes	53
Section 7. Input/Output (I/O) Ports	63
Section 8. EEPROM	71
Section 9. Analog-to-Digital (A/D) Converter	79
Section 10. 16-Bit Timer	85
Section 11. Serial Input/Output Port (SIOP)	99
Section 12. Instruction Set	107
Section 13. Electrical Specifications	123
Section 14. Mechanical Specifications	133
Section 15. Ordering Information	135
Appendix A. Emulation	137

Table of Contents

Section 1. General Description

1.1	Contents	17
1.2	Introduction	17
1.3	Features	18
1.4	Mask Options	20
1.5	Functional Pin Description	20
1.5.1	V _{DD} and V _{SS}	21
1.5.2	OSC1 and OSC2	21
1.5.3	Crystal	22
1.5.3.1	Ceramic Resonator	22
1.5.3.2	External Clock	22
1.5.4	Reset ($\overline{\text{RESET}}$)	23
1.5.5	Port A (PA0–PA7)	23
1.5.6	Port B (PB5/SDO, PB6/SDI, and PB7/SCK)	24
1.5.7	Port C (PC0–PC2, PC3/AD3, PC4/AD2, PC5/AD1, PC6/AD0, and PC7/V _{REFH})	24
1.5.8	Port D (PD5/CKOUT and PD7/TCAP)	24
1.5.9	TCMP	25
1.5.10	Maskable Interrupt Request ($\overline{\text{IRQ}}$)	25

Section 2. Memory

2.1	Contents	27
2.2	Introduction	27
2.3	Input/Output and Control Registers	27
2.4	RAM	34
2.5	ROM (MC68HC05P18 Only)	34

2.6 EEPROM34
 2.7 User EEPROM (MC68HC805P18 Only).....34

Section 3. Central Processing Unit (CPU)

3.1 Contents35
 3.2 Introduction35
 3.3 CPU Registers36
 3.3.1 Accumulator (A)37
 3.3.2 Index Register (X)37
 3.3.3 Condition Code Register (CCR)37
 3.3.3.1 Half Carry (H)37
 3.3.3.2 Interrupt (I)37
 3.3.3.3 Negative (N)38
 3.3.3.4 Zero (Z)38
 3.3.3.5 Carry/Borrow (C)38
 3.3.4 Stack Pointer (SP)38
 3.3.5 Program Counter (PC)39

Section 4. Interrupts

4.1 Contents41
 4.2 Introduction41
 4.3 Interrupt Types43
 4.3.1 Reset Interrupt Sequence43
 4.3.2 Software Interrupt (SWI).....43
 4.3.3 Hardware Interrupts43
 4.3.3.1 External Interrupt (\overline{IRQ})45
 4.3.3.2 Optional External Interrupts (PA0–PA7)46
 4.3.3.3 Input Capture Interrupt47
 4.3.3.4 Output Compare Interrupt47
 4.3.3.5 Timer Overflow Interrupt47

Section 5. Resets

5.1	Contents	49
5.2	Introduction	49
5.3	External Reset ($\overline{\text{RESET}}$)	49
5.4	Internal Resets	50
5.4.1	Power-On Reset (POR)	50
5.4.2	Computer Operating Properly (COP) Reset	51
5.4.3	Low-Voltage Reset (LVR)	51

Section 6. Operating Modes

6.1	Contents	53
6.2	Introduction	53
6.3	User Modes	54
6.3.1	User Mode	54
6.3.2	Bootloader Mode	55
6.3.2.1	Bulk Erase/Blank Verify	55
6.3.2.2	Bulk Erase/Program Verify	57
6.4	Low-Power Modes	57
6.5	STOP Instruction	59
6.5.1	Stop Mode	59
6.5.2	Halt Mode	60
6.5.3	WAIT Instruction	60
6.6	COP Watchdog Timer Considerations	61

Section 7. Input/Output (I/O) Ports

7.1	Contents	63
7.2	Introduction	63
7.3	Port A	64
7.4	Port B	65
7.5	Port C	66

7.6 Port D67
 7.7 I/O Port Programming.....68

Section 8. EEPROM

8.1 Contents71
 8.2 Introduction.....71
 8.3 EEPROM Programming Register72
 8.4 Programming/Erasing Procedures74
 8.5 Mask Option Registers75

Section 9. Analog-to-Digital (A/D) Converter

9.1 Contents79
 9.2 Introduction.....79
 9.3 Analog Section80
 9.3.1 Ratiometric Conversion80
 9.3.2 V_{REFH} 80
 9.3.3 Accuracy and Precision80
 9.3.4 Conversion Process80
 9.4 Digital Section.....81
 9.4.1 Conversion Times81
 9.4.2 Internal versus External Oscillator81
 9.4.3 Multi-Channel Operation82
 9.5 A/D Status and Control Register.....82
 9.6 A/D Conversion Data Register84
 9.7 A/D Subsystem During Wait/Halt Modes84
 9.8 A/D Subsystem Operation During Stop Mode84

Section 10. 16-Bit Timer

10.1 Contents85

10.2 Introduction85

10.3 Timer87

10.4 Output Compare90

10.5 Input Capture92

10.6 Timer Control Register94

10.7 Timer Status Register95

10.8 Timer Operation During Wait and Halt Modes97

10.9 Timer Operation During Stop Mode97

Section 11. Serial Input/Output Port (SIOP)

11.1 Contents99

11.2 Introduction99

11.3 SIOP Signal Format100

11.3.1 Serial Clock (SCK)100

11.3.2 Serial Data Input (SDI)101

11.3.3 Serial Data Output (SDO)102

11.4 SIOP Registers102

11.4.1 SIOP Control Register102

11.4.2 SIOP Status Register104

11.4.3 SIOP Data Register105

Section 12. Instruction Set

12.1 Contents107

12.2 Introduction107

12.3 Addressing Modes108

12.3.1 Inherent108

12.3.2 Immediate108

12.3.3 Direct109

12.3.4 Extended109

12.3.5 Indexed, No Offset109

12.3.6 Indexed, 8-Bit Offset.....109

12.3.7 Indexed, 16-Bit Offset.....110

12.3.8 Relative110

12.4 Instruction Types111

12.4.1 Register/Memory Instructions.....111

12.4.2 Read-Modify-Write Instructions112

12.4.3 Jump/Branch Instructions.....112

12.4.4 Bit Manipulation Instructions114

12.4.5 Control Instructions114

12.5 Instruction Set Summary115

12.6 Opcode Map121

Section 13. Electrical Specifications

13.1 Contents123

13.2 Introduction123

13.3 Maximum Ratings.....124

13.4 Operating Temperature Range.....124

13.5 Thermal Characteristics125

13.6 Power Considerations.....125

13.7 DC Electrical Characteristics126

13.8 Active Reset Characteristics.....127

13.9 A/D Converter Characteristics127

13.10 SIOP Timing128

13.11 PD5 Clock Out Timing (PD5 CLKOUT Option Enabled)129

13.12 Control Timing (MC68HC805P18
and Low-Speed MC68HC05P18)130

13.13 Control Timing (High-Speed MC68HC05P18 Only)130

Section 14. Mechanical Specifications

14.1 Contents133
14.2 Introduction.....133
14.3 28-Pin Dual In-Line Package (Case #710).....134
14.4 28-Pin Small Outline Package (Case #751F).....134

Section 15. Ordering Information

15.1 Contents135
15.2 Introduction.....135
15.3 MC Order Numbers135

Appendix A. Emulation

A.1 Contents137
A.2 Introduction.....137
A.3 Functional Differences137
A.4 Mask Option Registers141

List of Figures

Figure	Title	Page
1-1	MC68HC05P18/MC68HC805P18 Block Diagram	19
1-2	User Mode Pinout	21
1-3	Oscillator Connections	23
2-1	MC68HC05P18 User Mode Memory Map	28
2-2	MC68HC805P18 User Mode Memory Map	29
2-3	I/O and Control Registers Memory Map	30
2-4	I/O and Control Registers	31
3-1	Programming Model	36
3-2	Stacking Order	36
4-1	Interrupt Processing Flowchart	44
4-2	IRQ Function Block Diagram	45
5-1	Reset Block Diagram	50
5-2	Unimplemented Vector and COP Watchdog Timer Register	51
6-1	Bootloader Circuit	56
6-2	STOP/WAIT Flowcharts	58
7-1	Port A I/O Circuitry	64
7-2	Port B I/O Circuitry	65
7-3	Port C I/O Circuitry	66
7-4	Port D I/O Circuitry	67
8-1	EEPROM Programming Register (EEPROG)	72
8-2	Mask Option Register 1 (MOR1)	75

Figure	Title	Page
8-3	Mask Option Register 2 (MOR2)	75
9-1	A/D Status and Control Register (ADSC)	82
9-2	A/D Conversion Data Register (ADC)	84
10-1	16-Bit Timer Block Diagram	86
10-2	Timer Registers (TMRH/TMRL)	88
10-3	Alternate Counter Registers (ACRH/ACRL)	88
10-4	State Timing Diagram for Timer Overflow	89
10-5	State Timing Diagram for Timer Reset	90
10-6	Output Compare Registers (OCRH/OCRL)	90
10-7	Output Compare Software Initialization Example	92
10-8	Input Compare Registers (ICRH/ICRL)	93
10-9	State Timing Diagram for Input Capture	94
10-10	Timer Control Register (TCR)	94
10-11	Timer Status Register (TSR)	96
11-1	SIOP Block Diagram	100
11-2	SIOP Timing Diagram	101
11-3	SIOP Control Register (SCR)	102
11-4	SIOP Status Register (SSR)	104
11-5	SIOP Data Register (SSR)	105
13-1	SIOP Timing Diagram	128
13-2	PD5 Clock Out Timing	129
13-3	Power-On Reset and External Reset Timing Diagram	131
A-1	MC68HC705P3 Mask Option Register	141
A-2	MC68HC705P6 Mask Option Register	141
A-3	MC68HC705P9 Mask Option Register	141
A-4	MC68HC805P8 Mask Option Register 1	142
A-5	MC68HC805P8 Mask Option Register 2	142

List of Tables

Table	Title	Page
4-1	Vector Addresses for Interrupts and Reset.	42
6-1	Operating Mode Conditions	54
6-2	Bootloader Functions	55
6-3	COP Watchdog Timer Recommendations	61
7-1	Port A I/O Functions	68
7-2	Port B I/O Functions	68
7-3	Port C I/O Functions	68
7-4	Port D I/O Functions	69
8-1	Erase Mode Select	72
8-2	SIOP Clock Rate Selection.	76
9-1	A/D Multiplexer Input Channel Assignments	83
12-1	Register/Memory Instructions	111
12-2	Read-Modify-Write Instructions	112
12-3	Jump and Branch Instructions	113
12-4	Bit Manipulation Instructions.	114
12-5	Control Instructions.	114
12-6	Instruction Set Summary	115
12-7	Opcode Map	122
15-1	MC Order Numbers	135
A-1	Elements of Memory.	138
A-2	Memory Breakdown by Types	139
A-3	P-Series Features.	140
A-4	Mask Options	140

Section 1. General Description

1.1 Contents

1.2	Introduction	17
1.3	Features	18
1.4	Mask Options	20
1.5	Functional Pin Description	20
1.5.1	V_{DD} and V_{SS}	21
1.5.2	OSC1 and OSC2	21
1.5.3	Crystal	22
1.5.4	Reset (\overline{RESET})	23
1.5.5	Port A (PA0–PA7)	23
1.5.6	Port B (PB5/SDO, PB6/SDI, and PB7/SCK)	24
1.5.7	Port C (PC0–PC2, PC3/AD3, PC4/AD2, PC5/AD1, PC6/AD0, and PC7/ V_{REFH})	24
1.5.8	Port D (PD5/CKOUT and PD7/TCAP)	24
1.5.9	TCMP	25
1.5.10	Maskable Interrupt Request (\overline{IRQ})	25

1.2 Introduction

The Motorola MC68HC05P18 and MC68HC805P18 microcontrollers (MCU) are members of the M68HC05 Family with:

- 4-channel, 8-bit analog-to-digital (A/D) converter
- 16-bit timer with output compare and input capture
- Serial input/output port (SIOP)
- Computer operating properly (COP) watchdog timer
- 21 input/output (I/O) pins (20 bidirectional, one input-only)

1.3 Features

Features include:

- Low-cost M68HC05 core running at 2-MHz bus speed
- 28-pin dual in-line package (DIP) or small outline (SOIC) package
- 4-MHz on-chip crystal/ceramic resonator oscillator
- MC68HC05P18:
 - 8064 bytes of user read-only memory (ROM)
 - 48 bytes of page zero ROM
 - 16 bytes of user vectors
- MC68HC805P18:
 - 8064 bytes of user electrically erasable, programmable read-only memory (EEPROM)
 - 48 bytes of page zero EEPROM
 - 16 bytes of user vectors
- 192 bytes of on-chip random-access memory (RAM)
- 128 bytes of EEPROM
- Low-voltage reset (LVR)
- 4-channel, 8-bit A/D converter
- SIOP serial communications port
- COP watchdog timer with active pulldown on $\overline{\text{RESET}}$
- 16-bit timer with output compare and input capture
- 20 bidirectional I/O lines and one input-only line
- High current sink and source on two I/O pins (PC0 and PC1)

See [Figure 1-1](#) for a functional block diagram.

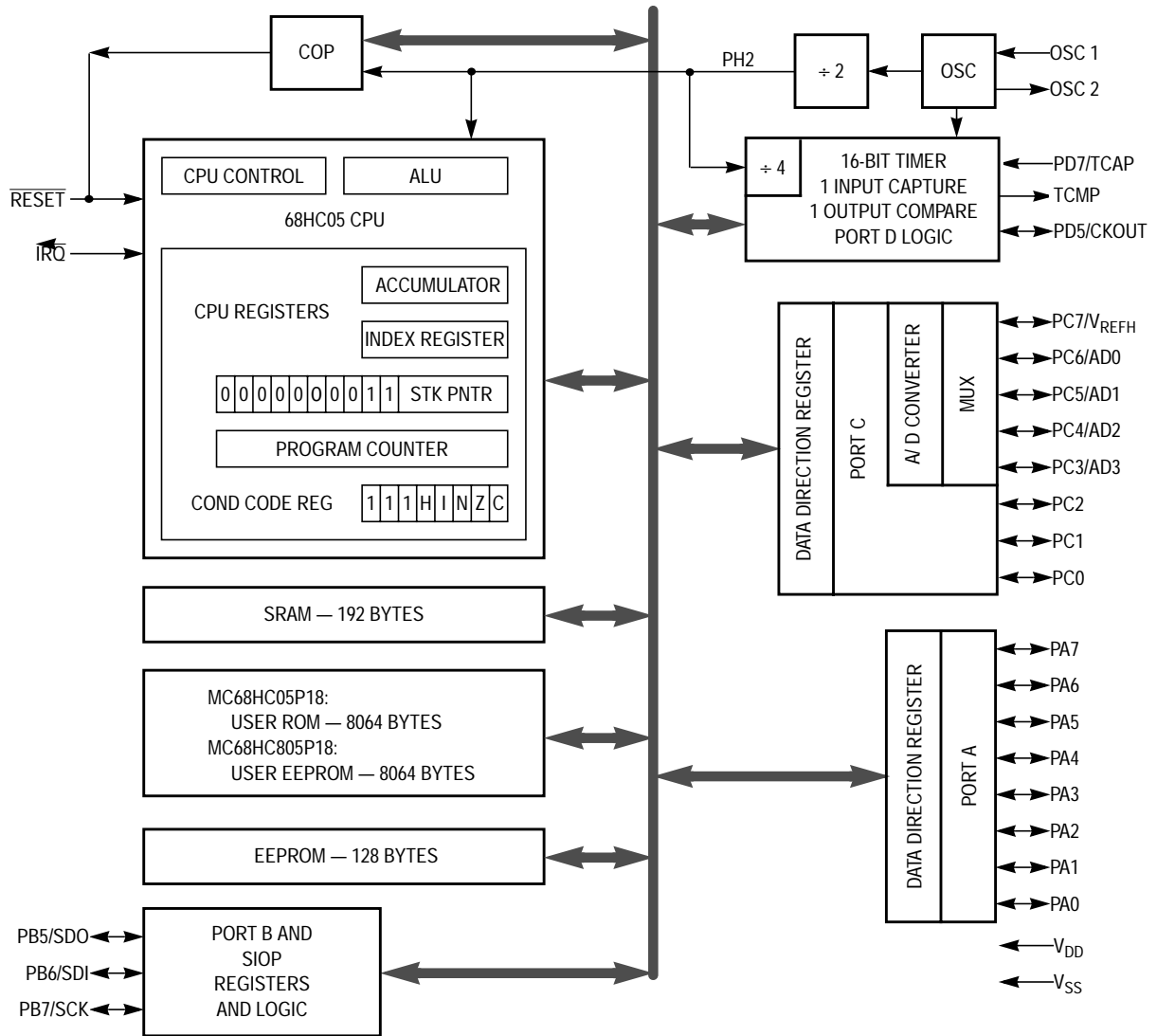


Figure 1-1. MC68HC05P18/MC68HC805P18 Block Diagram

Freescale Semiconductor, Inc.

1.4 Mask Options

There are eight mask options on the MC68HC05P18 that are EEPROM mask option register (MOR) selectable options for the MC68HC805P18. For additional information, refer to [8.5 Mask Option Registers](#).

1. $\overline{\text{IRQ}}$ is edge- and level-sensitive or edge-sensitive only.
2. SIOPI most-significant bit (MSB) first or least-significant bit (LSB) first
3. SIOPI clock rate set to oscillator divided by 2, 4, 8, or 16
4. COP watchdog timer enabled or disabled
5. STOP instruction enabled or converted to halt mode
6. Option to enable clock output pin to replace PD5
7. Option to individually enable pullups/interrupts on each of the eight port A pins
8. Low-voltage reset (LVR) enabled or disabled

NOTE: *A line over a signal name indicates an active low signal. For example, RESET is active high and $\overline{\text{RESET}}$ is active low.*

Any reference to voltage, current, or frequency specified in the following sections will refer to the nominal values. The exact values and their tolerance or limits are specified in [Section 13. Electrical Specifications](#).

1.5 Functional Pin Description

The following subsections describe the functionality of each pin on the MC68HC05P18/MC68HC805P18 package. Pins connected to subsystems described in other sections provide a reference to the section instead of a detailed functional description.

The pinout is shown in [Figure 1-2](#).

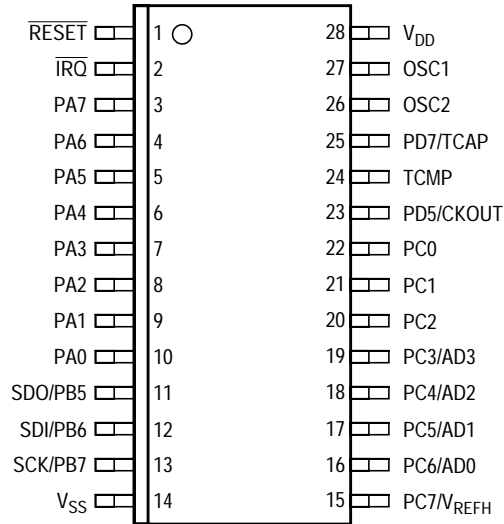


Figure 1-2. User Mode Pinout

1.5.1 V_{DD} and V_{SS}

Power is supplied to the MCU through V_{DD} and V_{SS}. V_{DD} is connected to a regulated positive supply and V_{SS} is connected to ground.

Very fast signal transitions occur on the MCU pins. The short rise and fall times place very high short-duration current demands on the power supply. To prevent noise problems, take special care to provide good power supply bypassing at the MCU. Use bypass capacitors with good high-frequency characteristics and position them as close to the MCU as possible. Bypassing requirements vary, depending on how heavily the MCU pins are loaded.

1.5.2 OSC1 and OSC2

The OSC1 and OSC2 pins are the control connections for the on-chip oscillator. The OSC1 and OSC2 pins can accept:

- A crystal as shown in [Figure 1-3\(a\)](#)
- A ceramic resonator as shown in [Figure 1-3\(a\)](#)
- An external clock signal as shown in [Figure 1-3\(b\)](#)

The frequency, f_{OSC} , of the oscillator or external clock source is divided by two to produce the internal PH2 bus clock operating frequency, f_{OP} . The oscillator cannot be turned off by software if the stop-to-halt conversion is enabled via mask option for the MC68HC05P18 and mask option register 1 for the MC68HC805P18. Refer to [8.5 Mask Option Registers](#).

1.5.3 Crystal

The circuit in [Figure 1-3\(a\)](#) shows a typical oscillator circuit for an AT-cut, parallel resonant crystal. Follow the crystal manufacturer's recommendations, as the crystal parameters determine the external component values required to provide maximum stability and reliable startup. The load capacitance values used in the oscillator circuit design should include all stray capacitances.

NOTE: *Mount the crystal and components as close as possible to the pins for startup stabilization and to minimize output distortion.*

1.5.3.1 Ceramic Resonator

In cost-sensitive applications, use a ceramic resonator instead of a crystal. Use the circuit in [Figure 1-3\(a\)](#) for a ceramic resonator and follow the resonator manufacturer's recommendations, as the resonator parameters determine the external component values required for maximum stability and reliable starting. The load capacitance values used in the oscillator circuit design should include all stray capacitances. Mount the resonator and components as close as possible to the pins for startup stabilization and to minimize output distortion.

1.5.3.2 External Clock

An external clock from another CMOS-compatible device can be connected to the OSC1 input, with the OSC2 input not connected, as shown in [Figure 1-3\(b\)](#).

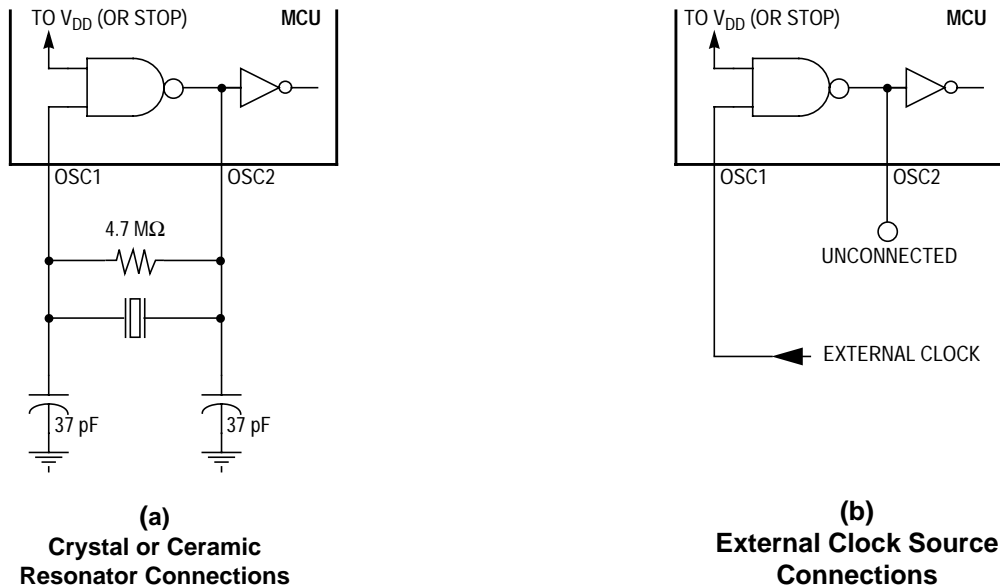


Figure 1-3. Oscillator Connections

1.5.4 Reset ($\overline{\text{RESET}}$)

Driving this input low will reset the MCU to a known startup state. As an output, the $\overline{\text{RESET}}$ pin indicates that an internal MCU reset has occurred. The $\overline{\text{RESET}}$ pin contains an internal Schmitt trigger to improve its noise immunity. Refer to [Section 5. Resets](#).

1.5.5 Port A (PA0–PA7)

These eight I/O pins comprise port A. The state of any pin is software programmable and all port A lines are configured as inputs during power-on or reset. For the MC68HC05P18, eight mask options can be chosen to enable pullups and interrupts (active low) on the port A pins. For the MC68HC805P18, the pullups and interrupt options (active low) on the port A pins can be individually programmed in the mask option register 2 (MOR2).

For further information, refer to [Section 4. Interrupts](#) and [Section 7. Input/Output \(I/O\) Ports](#).

1.5.6 Port B (PB5/SDO, PB6/SDI, and PB7/SCK)

These three I/O pins comprise port B and are shared with the SIOP communications subsystem. The state of any pin is software programmable and all port B lines are configured as inputs during power-on or reset. For further information, refer to [Section 7. Input/Output \(I/O\) Ports](#) and [Section 11. Serial Input/Output Port \(SIOP\)](#).

1.5.7 Port C (PC0–PC2, PC3/AD3, PC4/AD2, PC5/AD1, PC6/AD0, and PC7/V_{REFH})

These eight I/O pins comprise port C and are shared with the A/D converter subsystem. The state of any pin is software programmable and all port C lines are configured as inputs during power-on or reset. Port pins PC0 and PC1 are capable of sourcing and sinking high currents. For further information, refer to [Section 7. Input/Output \(I/O\) Ports](#) and [Section 9. Analog-to-Digital \(A/D\) Converter](#).

1.5.8 Port D (PD5/CKOUT and PD7/TCAP)

These two I/O pins comprise port D, and one of them is shared with the 16-bit timer subsystem. Unless clock output has been selected, the state of PD5/CKOUT is software programmable and is configured as an input during power-on or reset. PD7 is always an input; it may be read at any time, regardless of the mode of operation the 16-bit timer may be in. For further information, refer to [Section 7. Input/Output \(I/O\) Ports](#) and [Section 10. 16-Bit Timer](#).

For the MC68HC05P18, there is a mask option to turn the PD5/CKOUT pin into a clock output. The clock output is a buffered OSC2 signal with a CMOS output drive. The clock output or the port D function must be chosen with the mask option and is not alterable in software.

For the MC68HC805P18, the PD5/CKOUT pin can be turned into a clock output pin by programming mask option register 1 (MOR1). The clock output is a buffered OSC2 signal with a CMOS output driver.

1.5.9 TCMP

This pin is the output from the 16-bit timer's output compare function. It is low after reset. For further information, refer to [Section 10. 16-Bit Timer](#).

1.5.10 Maskable Interrupt Request ($\overline{\text{IRQ}}$)

This input pin drives the asynchronous interrupt function of the MCU. The MCU will complete the current instruction being executed before it responds to the $\overline{\text{IRQ}}$ interrupt request. When $\overline{\text{IRQ}}$ is driven low, the event is latched internally to signify an interrupt has been requested. When the MCU completes its current instruction, the interrupt latch is tested. If the interrupt latch is set and the interrupt mask bit (I bit) in the condition code register is clear, the MCU will begin the interrupt sequence.

Depending on the mask option selected for the MC68HC05P18 or the programming option selected in mask option register 1 (MOR1) for the MC68HC805P18, the $\overline{\text{IRQ}}$ pin will trigger this interrupt on either a negative-going edge at the $\overline{\text{IRQ}}$ pin and/or while the $\overline{\text{IRQ}}$ pin is held in the low state. In either case, the $\overline{\text{IRQ}}$ pin must be held low for at least one t_{LIH} time period. The $\overline{\text{IRQ}}$ input requires an external resistor connected to V_{DD} for wired-OR operation if:

- For the MC68HC05P18, the edge- and level-sensitive mask option is selected.
- For the MC68HC805P18, the edge- and level-sensitive edge is programmed in the MOR1.

If the $\overline{\text{IRQ}}$ pin is not used, it must be tied to the V_{DD} supply. The $\overline{\text{IRQ}}$ pin contains an internal Schmitt trigger as part of its input circuitry to improve noise immunity. For further information, refer to [Section 4. Interrupts](#).

NOTE: For the MC68HC805P18, if the voltage level applied to the $\overline{\text{IRQ}}$ pin exceeds V_{DD} , it may affect the MCU's mode of operation. See [Section 6. Operating Modes](#).

Section 2. Memory

2.1 Contents

2.2	Introduction	27
2.3	Input/Output and Control Registers	27
2.4	RAM	34
2.5	ROM (MC68HC05P18 Only)	34
2.6	EEPROM	34
2.7	User EEPROM (MC68HC805P18 Only).	34

2.2 Introduction

The MC68HC05P18 and MC68HC805P18 both utilize 14 address lines to access an internal memory space covering 16 Kbytes. This memory space is divided into input/output (I/O), random-access memory (RAM), electrically erasable, programmable read-only memory (EEPROM), read-only memory (ROM), and boot ROM areas.

Figure 2-1 and **Figure 2-2** show user mode memory maps for the MC68HC05P18 and MC68HC805P18, respectively.

2.3 Input/Output and Control Registers

Figure 2-3 and **Figure 2-4** briefly describe the input/output (I/O) and control registers at locations \$0000–\$001F. Reading unimplemented bits will return unknown states, and writing unimplemented bits will be ignored.

Memory

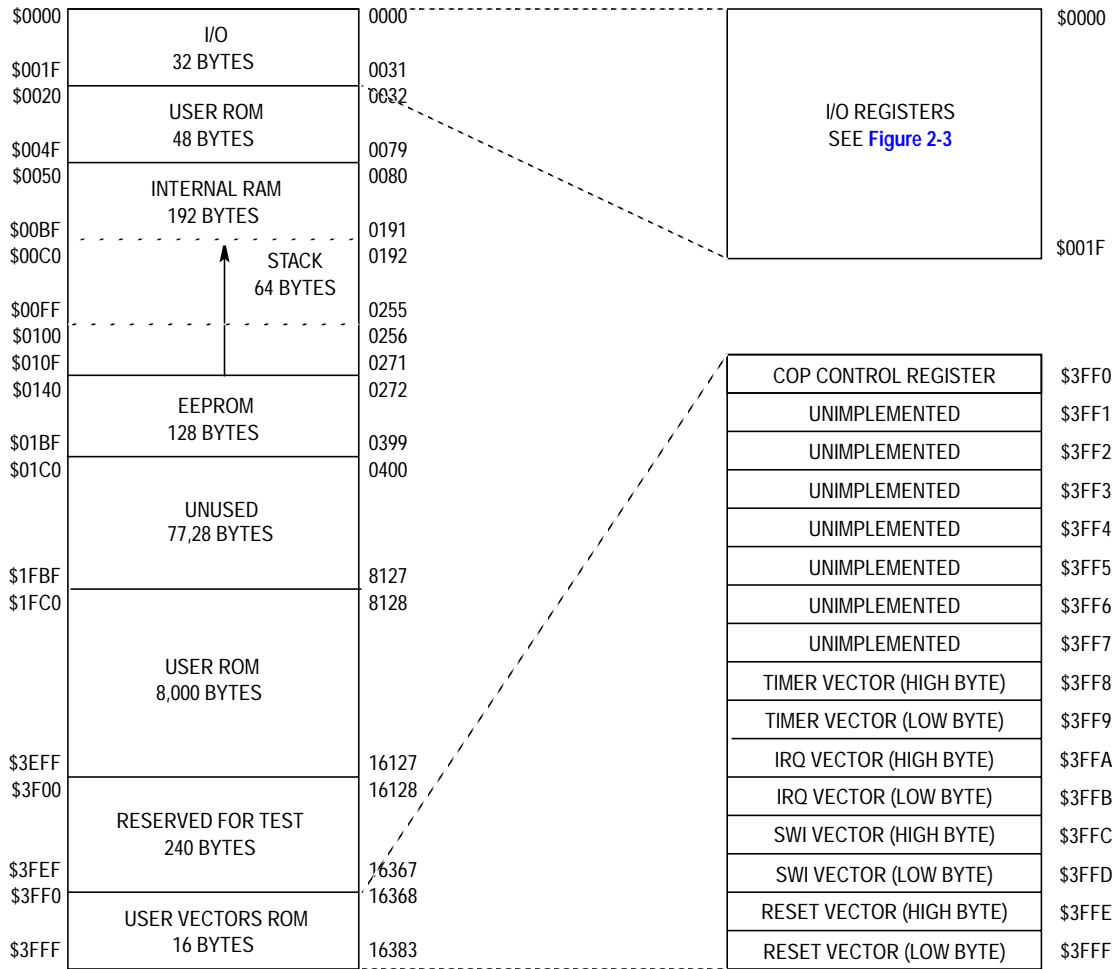


Figure 2-1. MC68HC05P18 User Mode Memory Map

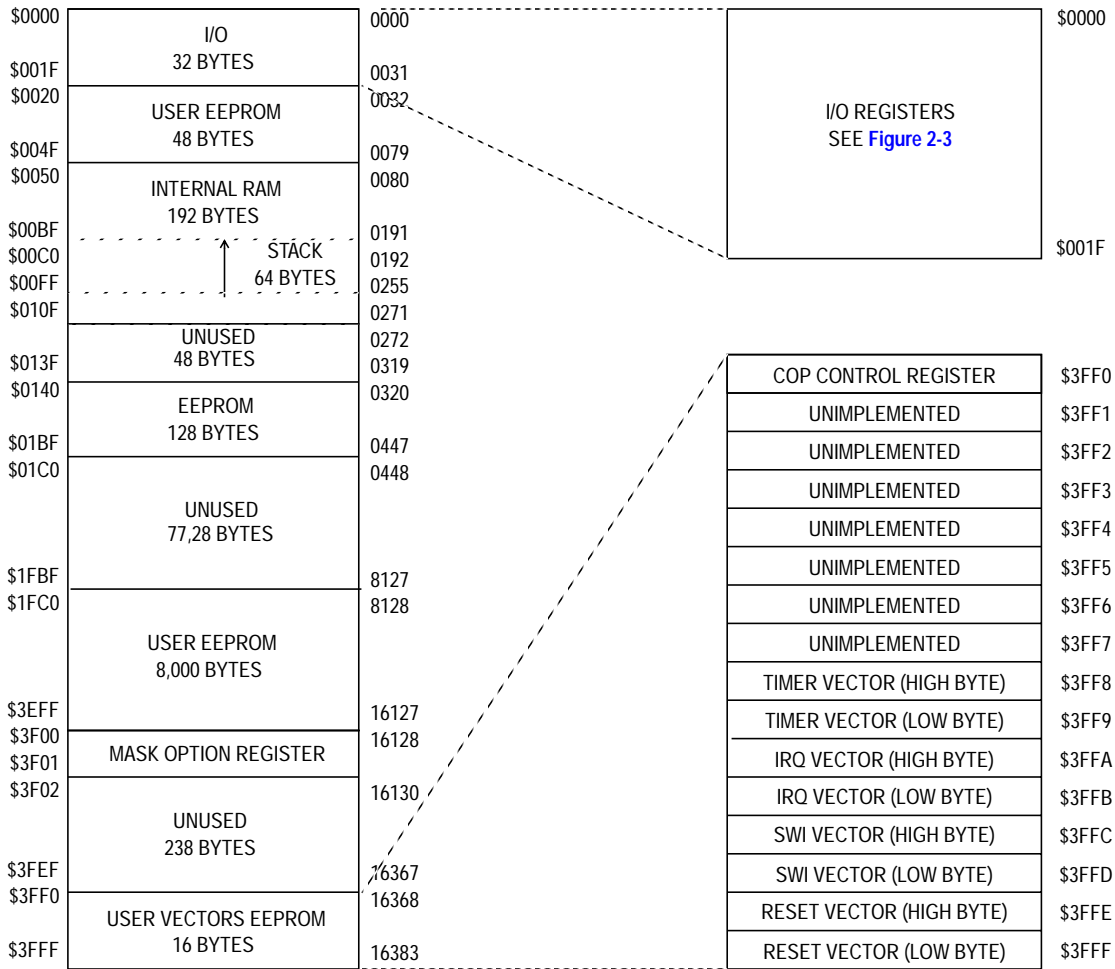


Figure 2-2. MC68HC805P18 User Mode Memory Map

PORT A DATA REGISTER	\$0000
PORT B DATA REGISTER	\$0001
PORT C DATA REGISTER	\$0002
PORT D DATA REGISTER	\$0003
PORT A DATA DIRECTION REGISTER	\$0004
PORT B DATA DIRECTION REGISTER	\$0005
PORT C DATA DIRECTION REGISTER	\$0006
PORT D DATA DIRECTION REGISTER	\$0007
UNIMPLEMENTED	\$0008
UNIMPLEMENTED	\$0009
SIOP CONTROL REGISTER	\$000A
SIOP STATUS REGISTER	\$000B
SIOP DATA REGISTER	\$000C
UNIMPLEMENTED	\$000D
UNIMPLEMENTED	\$000E
UNIMPLEMENTED	\$000F
UNIMPLEMENTED	\$0010
RESERVED	\$0011
TIMER CONTROL REGISTER	\$0012
TIMER STATUS REGISTER	\$0013
INPUT CAPTURE MOST SIGNIFICANT BIT	\$0014
INPUT CAPTURE LEAST SIGNIFICANT BIT	\$0015
OUTPUT COMPARE MOST SIGNIFICANT BIT	\$0016
OUTPUT COMPARE LEAST SIGNIFICANT BIT	\$0017
TIMER MOST SIGNIFICANT BIT	\$0018
TIMER LEAST SIGNIFICANT BIT	\$0019
ALTERNATE COUNTER MOST SIGNIFICANT BIT	\$001A
ALTERNATE COUNTER LEAST SIGNIFICANT BIT	\$001B
EEPROM PROGRAMMING REGISTER	\$001C
A/D CONVERTER DATA REGISTER	\$001D
A/D CONVERTER CONTROL AND STATUS REGISTER	\$001E
RESERVED	\$001F

Figure 2-3. I/O and Control Registers Memory Map

Addr.	Register Name	Bit 7	6	5	4	3	2	1	Bit 0	
\$0000	Port A Data Register (PORTA) See page 64.	Read:	PA7	PA6	PA5	PA4	PA3	PA2	PA1	PA0
		Write:								
		Reset:	Unaffected by reset							
\$0001	Port B Data Register (PORTB) See page 65.	Read:	PB7	PB6	PB5	0	0	0	0	0
		Write:								
		Reset:	Unaffected by reset							
\$0002	Port C Data Register (PORTC) See page 66.	Read:	PC7	PC6	PC5	PC4	PC3	PC2	PC1	PC0
		Write:								
		Reset:	Unaffected by reset							
\$0003	Port D Data Register (PORTD) See page 67.	Read:	PD7	0	PD5	1	0	0	0	0
		Write:								
		Reset:	Unaffected by reset							
\$0004	Port A Data Direction (DDRA) See page 64.	Read:	DDRA7	DDRA6	DDRA5	DDRA4	DDRA3	DDRA2	DDRA1	DDRA0
		Write:								
		Reset:	0	0	0	0	0	0	0	0
\$0005	Port B Data Direction (DDRB) See page 65.	Read:	DDRB7	DDRB6	DDRB5	1	1	1	1	1
		Write:								
		Reset:	0	0	0	0	0	0	0	0
\$0006	Port C Data Direction (DDRC) See page 66.	Read:	DDRC7	DDRC6	DDRC5	DDRC4	DDRC3	DDRC2	DDRC1	DDRC0
		Write:								
		Reset:	0	0	0	0	0	0	0	0
\$0007	Port D Data Direction (DDRD) See page 67.	Read:	0	0	DDRD5	0	0	0	0	0
		Write:								
		Reset:	0	0	0	0	0	0	0	0
\$0008	Unimplemented									
\$0009	Unimplemented									
\$000A	SIOP Control Register (SCR) See page 102.	Read:	0	SPE	0	MSTR	0	0	0	0
		Write:								
		Reset:	0	0	0	0	0	0	0	0

= Unimplemented
 R = Reserved
 U = Unaffected

Figure 2-4. I/O and Control Registers (Sheet 1 of 3)

Memory

Addr.	Register Name	Bit 7	6	5	4	3	2	1	Bit 0
\$000B	SIOP Status Register (SSR) See page 104.	Read:	SPIF	DCOL	0	0	0	0	0
		Write:							
		Reset:	0	0	0	0	0	0	0
\$000C	SIOP Data Register (SDR) See page 105.	Read:	SDR7	SDR6	SDR5	SDR4	SDR3	SDR2	SDR1
		Write:							
		Reset:	Unaffected by reset						
\$000D	Unimplemented								
\$000E	Unimplemented								
\$000F	Unimplemented								
\$0010	Unimplemented								
\$0011	Reserved	R	R	R	R	R	R	R	R
\$0012	Timer Control Register (TCR) See page 94.	Read:	ICIE	OCIE	TOIE	0	0	0	IEDG
		Write:							OLVL
		Reset:	0	0	0	0	0	0	0
\$0013	Timer Status Register (TSR) See page 96.	Read:	ICF	OCF	TOF	0	0	0	0
		Write:							
		Reset:	U	U	U	0	0	0	0
\$0014	Input Capture MSB Register (ICRH) See page 93.	Read:	ICRH7	ICRH6	ICRH5	ICRH4	ICRH3	ICRH2	ICRH1
		Write:							
		Reset:	Unaffected by reset						
\$0015	Input Capture LSB Register (ICRL) See page 93.	Read:	ICRL7	ICRL6	ICRL5	ICRL4	ICRL3	ICRL2	ICRL1
		Write:							
		Reset:	Unaffected by reset						
\$0016	Output Compare MSB Register (OCRH) See page 90.	Read:	OCRH7	OCRH6	OCRH5	OCRH4	OCRH3	OCRH2	OCRH1
		Write:							
		Reset:	Unaffected by reset						

= Unimplemented
 R = Reserved
 U = Unaffected

Figure 2-4. I/O and Control Registers (Sheet 2 of 3)

Addr.	Register Name	Bit 7	6	5	4	3	2	1	Bit 0	
\$0017	Output Compare LSB Register (OCRL) See page 90.	Read:	OCRL7	OCRL6	OCRL5	OCRL4	OCRL3	OCRL2	OCRL1	OCRL0
		Write:								
		Reset:	Unaffected by reset							
\$0018	Timer MSB Register (TMRH) See page 88.	Read:	TMRH7	TMRH6	TMRH5	TMRH4	TMRH3	TMRH2	TMRH1	TMRH0
		Write:								
		Reset:	1	1	1	1	1	1	1	1
\$0019	Timer LSB Register (TMRL) See page 88.	Read:	TMRL7	TMRL6	TMRL5	TMRL4	TMRL3	TMRL2	TMRL1	TMRL0
		Write:								
		Reset:	1	1	1	1	1	1	0	0
\$001A	Alternate Counter MSB Register (ACRH) See page 88.	Read:	ACRH7	ACRH6	ACRH5	ACRH4	ACRH3	ACRH2	ACRH1	ACRH0
		Write:								
		Reset:	1	1	1	1	1	1	1	1
\$001B	Alternate Counter LSB Register (ACRL) See page 88.	Read:	ACRL7	ACRL6	ACRL5	ACRL4	ACRL3	ACRL2	ACRL1	ACRL0
		Write:								
		Reset:	1	1	1	1	1	1	0	0
\$001C	EEPROM Programming Register (EEPROG) See page 72.	Read:	0	CPEN	0	ER1	ER0	LATCH	EERC	EEPGM
		Write:								
		Reset:	0	0	0	0	0	0	0	0
\$001D	A/D Conversion Data Register (ADC) See page 84.	Read:	AD7	AD6	AD5	AD4	AD3	AD2	AD1	AD0
		Write:								
		Reset:	Unaffected by reset							
\$001E	A/D Status and Control Register (ADSC) See page 82.	Read:	CC	R	ADON	0	0	CH2	CH1	CH0
		Write:								
		Reset:	0	0	0	0	0	0	0	0
\$001F	Reserved	R	R	R	R	R	R	R	R	

= Unimplemented
 = Reserved
 U = Unaffected

Figure 2-4. I/O and Control Registers (Sheet 3 of 3)

2.4 RAM

The user RAM consists of 192 bytes (including the stack) at locations \$0050–\$010F. The stack begins at address \$00FF. The stack pointer can access 64 bytes of RAM from \$00FF to \$00C0.

NOTE: *Using the stack area for data storage or temporary work locations requires care to prevent it from being overwritten due to stacking from an interrupt or subroutine call.*

2.5 ROM (MC68HC05P18 Only)

There are 8064 bytes of user ROM available, consisting of 8000 bytes at locations \$1FC0–\$3EFF, 48 bytes in page zero locations \$0020–\$004F, and 16 additional bytes of user vectors at locations \$3FF0–\$3FFF.

NOTE: *Address space \$3F00–\$3FEF is reserved for test code. Unlike other M68HC05 devices, the MC68HC05P18 does not contain self-check code.*

2.6 EEPROM

The EEPROM is located at address \$0140 and consists of 128 bytes. Programming the EEPROM can be done by the user on a single byte basis by manipulating the programming register, located at address \$001C. Refer to [Section 8. EEPROM](#) for a discussion of the EEPROM.

2.7 User EEPROM (MC68HC805P18 Only)

There are 8064 bytes of user EEPROM available, consisting of 8000 bytes at locations \$1FC0–\$3EFF, 48 bytes in page zero locations \$0020–\$004F, and 16 additional bytes for user vectors at locations \$3FF0–\$3FFF.

This EEPROM can be programmed only in bootloader mode. Refer to [6.3.2 Bootloader Mode](#) for more details.

Section 3. Central Processing Unit (CPU)

3.1 Contents

3.2	Introduction	35
3.3	CPU Registers	36
3.3.1	Accumulator (A)	37
3.3.2	Index Register (X)	37
3.3.3	Condition Code Register (CCR)	37
3.3.3.1	Half Carry (H)	37
3.3.3.2	Interrupt (I)	37
3.3.3.3	Negative (N)	38
3.3.3.4	Zero (Z)	38
3.3.3.5	Carry/Borrow (C)	38
3.3.4	Stack Pointer (SP)	38
3.3.5	Program Counter (PC)	39

3.2 Introduction

This section describes the CPU registers.

Central Processing Unit (CPU)

3.3 CPU Registers

The five CPU registers are shown in **Figure 3-1** and the interrupt stacking order is shown in **Figure 3-2**.

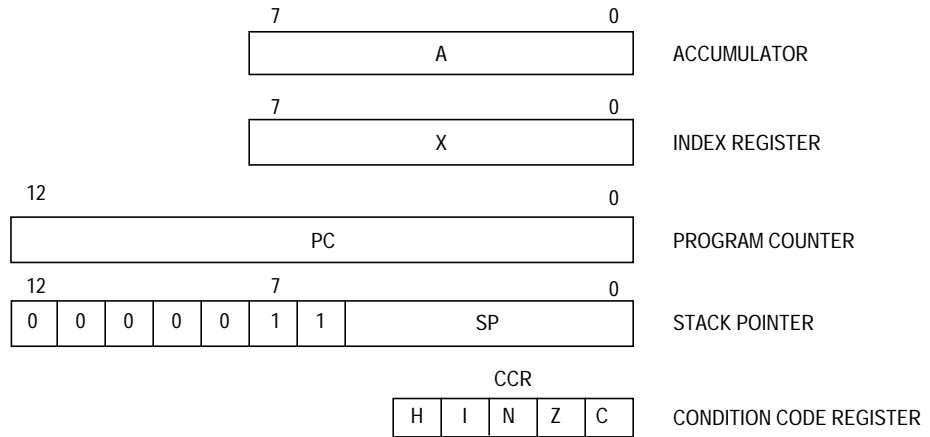
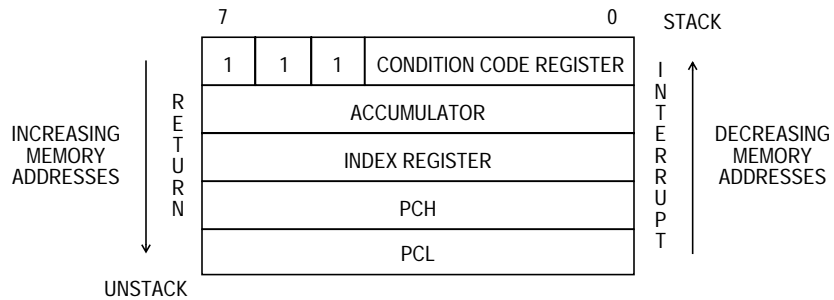


Figure 3-1. Programming Model

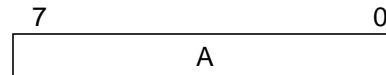


Note: Since the stack pointer decrements during pushes, the PCL is stacked first, followed by PCH, etc. Pulling from the stack is in the reverse order.

Figure 3-2. Stacking Order

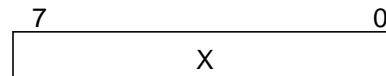
3.3.1 Accumulator (A)

The accumulator is a general-purpose 8-bit register used to hold operands and results of arithmetic calculations or data manipulations.



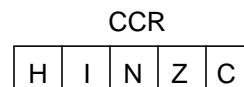
3.3.2 Index Register (X)

The index register is an 8-bit register used for the indexed addressing value to create an effective address. The index register may also be used as a temporary storage area.



3.3.3 Condition Code Register (CCR)

The condition code register (CCR) is a 5-bit register in which four bits are used to indicate the results of the instruction just executed, and the fifth bit indicates whether interrupts are masked. These bits can be individually tested by a program, and specific actions can be taken as a result of their state. Each bit is explained in the following paragraphs.



3.3.3.1 Half Carry (H)

This bit is set during ADD and ADC operations to indicate that a carry occurred between bits 3 and 4.

3.3.3.2 Interrupt (I)

When this bit is set, the timer and external interrupt are masked (disabled). If an interrupt occurs while this bit is set, the interrupt is latched and processed as soon as the interrupt bit is cleared.

Central Processing Unit (CPU)

3.3.3.3 Negative (N)

When set, this bit indicates that the result of the last arithmetic, logical, or data manipulation was negative.

3.3.3.4 Zero (Z)

When set, this bit indicates that the result of the last arithmetic, logical, or data manipulation was 0.

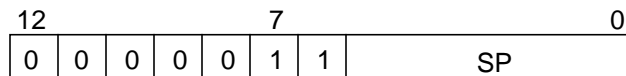
3.3.3.5 Carry/Borrow (C)

When set, this bit indicates that a carry or borrow out of the arithmetic logical unit (ALU) occurred during the last arithmetic operation. This bit is also affected during bit test and branch instructions and during shifts and rotates.

3.3.4 Stack Pointer (SP)

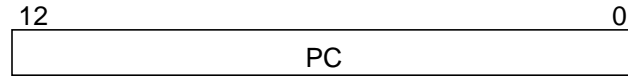
The stack pointer contains the address of the next free location on the stack. During an MCU reset or the reset stack pointer (RSP) instruction, the stack pointer is set to location \$00FF. The stack pointer is then decremented as data is pushed onto the stack and incremented as data is pulled from the stack.

When accessing memory, the seven most significant bits are permanently set to 000011. These seven bits are appended to the six least significant register bits to produce an address within the range of \$00FF to \$00C0. Subroutines and interrupts may use up to 64 (decimal) locations. If 64 locations are exceeded, the stack pointer wraps around and loses the previously stored information. A subroutine call occupies two locations on the stack; an interrupt uses five locations.



3.3.5 Program Counter (PC)

The program counter is a 13-bit register that contains the address of the next byte to be fetched.



NOTE: *The M68HC05 CPU core is capable of addressing a 64-Kbyte memory map. For this implementation, however, the addressing registers are limited to an 8-Kbyte memory map.*

Section 4. Interrupts

4.1 Contents

4.2	Introduction	41
4.3	Interrupt Types	43
4.3.1	Reset Interrupt Sequence	43
4.3.2	Software Interrupt (SWI)	43
4.3.3	Hardware Interrupts	43
4.3.3.1	External Interrupt (\overline{IRQ})	45
4.3.3.2	Optional External Interrupts (PA0–PA7)	46
4.3.3.3	Input Capture Interrupt	47
4.3.3.4	Output Compare Interrupt	47
4.3.3.5	Timer Overflow Interrupt	47

4.2 Introduction

The MCUs can be interrupted six different ways:

- Non-maskable software interrupt instruction (SWI)
- External asynchronous interrupt (\overline{IRQ})
- Input capture interrupt (TIMER)
- Output compare interrupt (TIMER)
- Timer overflow interrupt (TIMER)
- Port A interrupt (if selected via MOR2, bits 0–7)

Interrupts cause the processor to save the register contents on the stack and to set the interrupt mask (I bit) to prevent additional interrupts. Unlike reset, hardware interrupts do not cause the current instruction execution to be halted, but are considered pending until the current instruction is completed.

When the current instruction is completed, the processor checks all pending hardware interrupts. If interrupts are not masked (I bit in the condition code register is clear) and the corresponding interrupt enable bit is set, the processor proceeds with interrupt processing. Otherwise, the next instruction is fetched and executed. The software interrupt (SWI) is executed the same as any other instruction, regardless of the I bit state.

When an interrupt is to be processed, the CPU puts the register contents on the stack, sets the I bit in the CCR, and fetches the address of the corresponding interrupt service routine from the vector table at locations \$3FF0–\$3FFF. If more than one interrupt is pending when the interrupt vector is fetched, the interrupt with the highest vector location shown in **Table 4-1** will be serviced first.

An return-from-interrupt (RTI) instruction is used to signify when the interrupt software service routine is completed. The RTI instruction causes the CPU state to be recovered from the stack and normal processing to resume at the next instruction that was to be executed when the interrupt took place.

Figure 4-1 shows the sequence of events that occurs during interrupt processing.

Table 4-1. Vector Addresses for Interrupts and Reset

Register	Flag Name	Interrupts	CPU Interrupt	Vector Address
N/A	N/A	Reset	RESET	\$3FF3–\$3FFF
N/A	N/A	Software	SWI	\$3FFC–\$3FFD
N/A	N/A	External interrupt	IRQ	\$3FFA–\$3FFB
TSR	ICF	Timer input capture	TIMER	\$3FF8–\$3FF9
TSR	OCF	Timer output compare	TIMER	\$3FF8–\$3FF9
TSR	TOF	Timer overflow	TIMER	\$3FF8–\$3FF9
N/A	N/A	Unimplemented	N/A	\$3FF6–\$3FF7
N/A	N/A	Unimplemented	N/A	\$3FF4–\$3FF5
N/A	N/A	Unimplemented	N/A	\$3FF2–\$3FF3
N/A	N/A	Unimplemented	N/A	\$3FF0–\$3FF1

4.3 Interrupt Types

The interrupts fall into three categories:

- Reset
- Software
- Hardware

4.3.1 Reset Interrupt Sequence

The reset function is not in the strictest sense an interrupt; however, it is acted upon in a similar manner as shown in [Figure 4-1](#). A low level input on the `RESET` pin or internally generated RST signal causes the program to vector to its starting address which is specified by the contents of memory locations `$3FFE` and `$3FFF`. The I bit in the condition code register is also set. The MCU is configured to a known state during this type of reset as described in [Section 5. Resets](#).

4.3.2 Software Interrupt (SWI)

The SWI is an executable instruction. It is also a non-maskable interrupt since it is executed regardless of the state of the I bit in the CCR. As with any instruction, interrupts pending during the previous instruction will be serviced before the SWI opcode is fetched. The interrupt service routine address for the SWI instruction is specified by the contents of memory locations `$3FFC` and `$3FFD`.

4.3.3 Hardware Interrupts

All hardware interrupts are maskable by the I bit in the CCR. If the I bit is set, all hardware interrupts (internal and external) are disabled. Clearing the I bit enables the hardware interrupts. Four hardware interrupts are explained here.

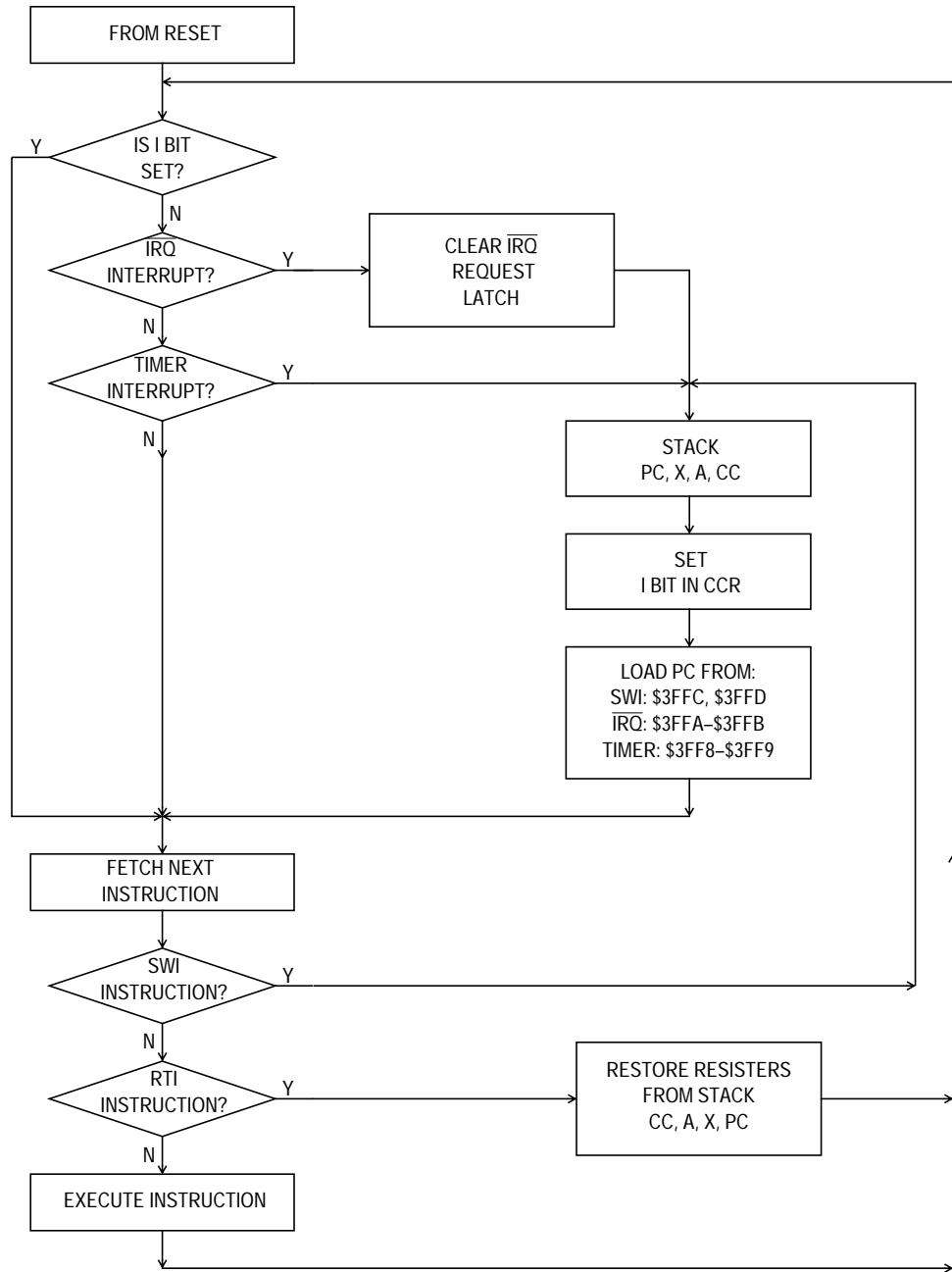


Figure 4-1. Interrupt Processing Flowchart

4.3.3.1 External Interrupt (\overline{IRQ})

The \overline{IRQ} pin drives an asynchronous interrupt to the CPU. An edge detector flip-flop is latched on the falling edge of \overline{IRQ} . If either the output from the internal edge detector flip-flop or the level on the \overline{IRQ} pin is low, a request is synchronized to the CPU to generate the IRQ interrupt. If the edge-sensitive only option is selected, the output of the internal edge detector flip-flop is sampled and the input level on the \overline{IRQ} pin is ignored. If port A interrupts are programmed as an option, a port A interrupt will use the same vector. The interrupt service routine address is specified by the contents of memory locations \$3FFA and \$3FFB.

NOTE: *The internal interrupt latch is cleared nine PH2 clock cycles after the interrupt is recognized (after location \$3FFA is read). Therefore, another external interrupt pulse could be latched during the IRQ service routine.*

When the edge- and level-sensitive option is selected, the voltage applied to the \overline{IRQ} pin must return to the high state before the RTI instruction in the interrupt service routine is executed.

The \overline{IRQ} pin is one source of an IRQ interrupt and a mask option can also enable the port A pins (PA0–PA7) to act as other IRQ interrupt sources. These sources are all combined into a single ORing function to be latched by the IRQ latch.

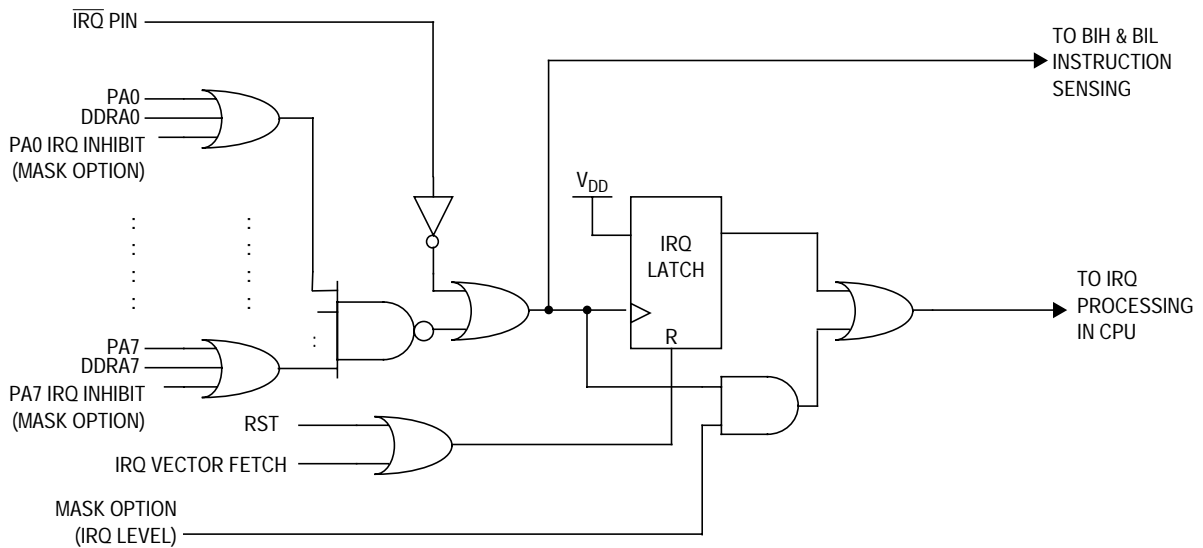


Figure 4-2. IRQ Function Block Diagram

Any enabled IRQ interrupt source sets the IRQ latch on the falling edge of the $\overline{\text{IRQ}}$ pin or a port A pin if port A interrupts have been enabled. If edge-only sensitivity is chosen by a mask option, only the IRQ latch output can activate a request to the CPU to generate the IRQ interrupt sequence. This makes the IRQ interrupt sensitive to the:

1. Falling edge on the $\overline{\text{IRQ}}$ pin with all enabled port A interrupt pins at a high level
2. Falling edge on any enabled port A interrupt pin with all other enabled port A interrupt pins and the $\overline{\text{IRQ}}$ pin at a high level

If level sensitivity is chosen, the active high state of the IRQ input can also activate an IRQ request to the CPU to generate the IRQ interrupt sequence. This makes the IRQ interrupt sensitive to the:

1. Low level on the $\overline{\text{IRQ}}$ pin
2. Falling edge on the $\overline{\text{IRQ}}$ pin with all enabled port A interrupt pins at a high level
3. Low level on any enabled port A interrupt pin
4. Falling edge on any enabled port A interrupt pin with all enabled port A interrupt pins and the $\overline{\text{IRQ}}$ pin at a high level

This interrupt is serviced by the interrupt service routine located at the address specified by the contents of \$3FFA and \$3FFB. The IRQ latch is cleared automatically by entering the interrupt service routine.

4.3.3.2 Optional External Interrupts (PA0–PA7)

The IRQ interrupt can be triggered by the inputs on the PA0–PA7 port pins if enabled by individual mask options. With pullup enabled, each port A pin can activate the IRQ interrupt function and the interrupt operation will be the same as for inputs to the $\overline{\text{IRQ}}$ pin. Once enabled by mask option, each individual port A pin can be disabled as an interrupt source if its corresponding DDR bit is configured for output mode.

NOTE: *The BIH and BIL instructions apply to the output of the logic OR function of the enabled PA0–PA7 interrupt pins and the $\overline{\text{IRQ}}$ pin. The BIH and BIL instructions do not test only the state of the $\overline{\text{IRQ}}$ pin.*

If enabled, the PA0–PA7 pins will cause an IRQ interrupt only if these individual pins are configured as inputs.

4.3.3.3 Input Capture Interrupt

The input capture interrupt is generated by the 16-bit timer as described in [Section 10. 16-Bit Timer](#). The input capture interrupt flag is located in register TSR and its corresponding enable bit can be found in register TCR. The I bit in the CCR must be clear in order for the input capture interrupt to be enabled. The interrupt service routine address is specified by the contents of memory locations \$3FF8 and \$3FF9.

4.3.3.4 Output Compare Interrupt

The output compare interrupt is generated by the 16-bit timer as described in [Section 10. 16-Bit Timer](#). The output compare interrupt flag is located in register TSR and its corresponding enable bit can be found in register TCR. The I bit in the CCR must be clear in order for the output compare interrupt to be enabled. The interrupt service routine address is specified by the contents of memory locations \$3FF8 and \$3FF9.

4.3.3.5 Timer Overflow Interrupt

The timer overflow interrupt is generated by the 16-bit timer as described in [Section 10. 16-Bit Timer](#). The timer overflow interrupt flag is located in register TSR and its corresponding enable bit can be found in register TCR. The I bit in the CCR must be clear in order for the timer overflow interrupt to be enabled. This internal interrupt will vector to the interrupt service routine located at the address specified by the contents of memory locations \$3FF8 and \$3FF9.

Section 5. Resets

5.1 Contents

5.2	Introduction	49
5.3	External Reset ($\overline{\text{RESET}}$)	49
5.4	Internal Resets	50
5.4.1	Power-On Reset (POR)	50
5.4.2	Computer Operating Properly (COP) Reset	51
5.4.3	Low-Voltage Reset (LVR)	51

5.2 Introduction

The MCU can be reset from four sources: one external input and three internal reset conditions. The $\overline{\text{RESET}}$ pin is an input with a Schmitt trigger as shown in [Figure 5-1](#). The CPU and all peripheral modules will be reset by the RST signal which is the logical OR of internal reset functions and is clocked by PH2.

5.3 External Reset ($\overline{\text{RESET}}$)

The $\overline{\text{RESET}}$ input is the only external reset and is connected to an internal Schmitt trigger. The external reset occurs whenever the $\overline{\text{RESET}}$ input is driven below the lower threshold and remains in reset until the $\overline{\text{RESET}}$ pin rises above the upper threshold. The upper and lower thresholds are given in [Section 13. Electrical Specifications](#).

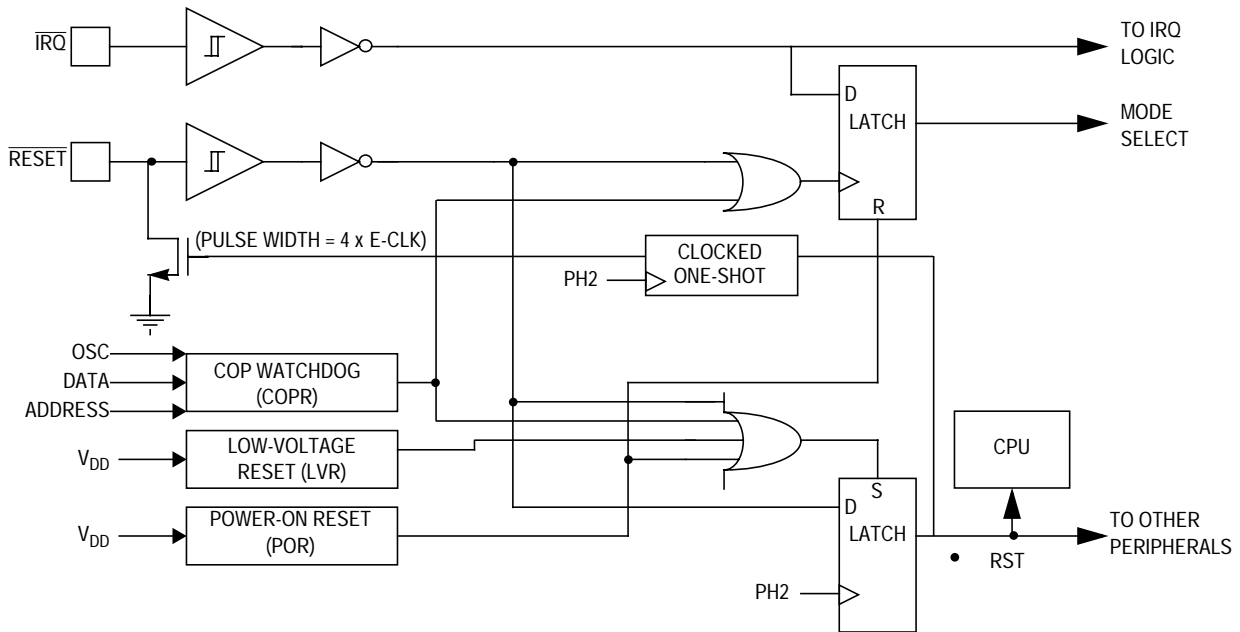


Figure 5-1. Reset Block Diagram

5.4 Internal Resets

The three internally generated resets are:

- Initial power-on reset (POR)
- Computer operating properly (COP) watchdog timer
- Low-voltage reset (LVR) functions

5.4.1 Power-On Reset (POR)

The internal POR is generated at power-up to allow the clock oscillator to stabilize. The POR is strictly for power turn-on conditions and should not be used to detect a drop in the power supply voltage. There is a 4064 PH2 clock cycle oscillator stabilization delay after the oscillator becomes active.

The POR will generate the RST signal and reset the MCU. The POR will also pull the $\overline{\text{RESET}}$ pin low at the same time, allowing external devices to be reset with the MCU. If any other reset function is active at the end

of this 4064 PH2 clock cycle delay, the RST signal will remain active until the other reset condition(s) end.

5.4.2 Computer Operating Properly (COP) Reset

When the COP watchdog timer is enabled (by MOR1, bit 0), the internal COP reset is generated automatically by a timeout of the COP watchdog timer. This timer is implemented with an 18-stage ripple counter that provides a timeout period of 65.5 ms when a 4-MHz oscillator is used. The COP watchdog counter is cleared by writing a logical 0 to bit zero at location \$3FF0.

The COP register is shared with the most significant bit (MSB) of an unimplemented user interrupt vector as shown in Figure 5-2. Reading this location will return the MSB of the unimplemented user interrupt vector. Writing to this location will clear the COP watchdog timer.

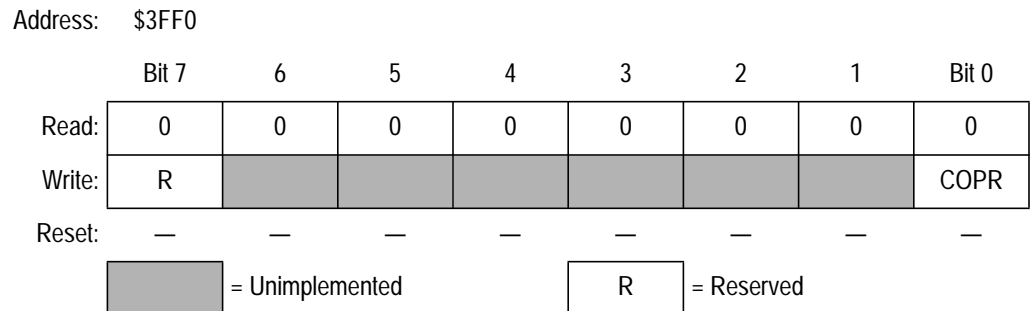


Figure 5-2. Unimplemented Vector and COP Watchdog Timer Register

5.4.3 Low-Voltage Reset (LVR)

If the LVR has been enabled via MOR1, the internal LVR reset is generated when the supply voltage to the V_{DD} pin falls below a nominal 3.80 Vdc. The LVR threshold is not intended to be an accurate and stable trip point, but is intended to ensure that the CPU will be held in reset when the V_{DD} supply voltage is below reasonable operating limits. If the LVR is tripped for a short time, the LVR reset signal will last at least two cycles of the CPU bus clock, PH2.

The LVR will generate the RST signal which will reset the CPU and other peripherals. Also, the LVR will establish the mode of operation based on the state of the \overline{IRQ} pin at the time the LVR signal ends. If any other reset function is active at the end of the LVR reset signal, the RST signal will remain in the reset condition until the other reset condition(s) end.

NOTE: *The voltage of the \overline{IRQ} pin must be between $0-V_{DD}$ volts to stay in the normal operation mode.*

Section 6. Operating Modes

6.1 Contents

6.2	Introduction	53
6.3	User Modes	54
6.3.1	User Mode	54
6.3.2	Bootloader Mode	55
6.3.2.1	Bulk Erase/Blank Verify	55
6.3.2.2	Bulk Erase/Program Verify	57
6.4	Low-Power Modes	57
6.5	STOP Instruction	59
6.5.1	Stop Mode	59
6.5.2	Halt Mode	60
6.5.3	WAIT Instruction	60
6.6	COP Watchdog Timer Considerations	61

6.2 Introduction

This section describes the user, bootloader, and low-power operating modes. In addition the computer operating properly (COP) timer considerations are discussed.


6.3 User Modes

The MC68HC(8)05P18 has two modes of operation available to the user:

- User mode
- Bootloader mode

The mode of operation is determined by the voltages on the $\overline{\text{IRQ}}$ and PD7/TCAP pins on the rising edge of the external $\overline{\text{RESET}}$ pin. [Table 6-1](#) shows the condition required to go into each mode.

Table 6-1. Operating Mode Conditions

$\overline{\text{RESET}}$	$\overline{\text{IRQ}}$	TCAP	Mode
	0–5 V	0–5 V	User
	$2 \times V_{\text{DD}}$	5 V	Bootloader

6.3.1 User Mode

The user mode allows the MCU to function as a self-contained microcontroller with maximum use of the pins for on-chip peripheral functions. All address and data activity occurs within the MCU and is not available externally. User mode is entered on the rising edge of $\overline{\text{RESET}}$, if the $\overline{\text{IRQ}}$ pin is within the normal operating voltage range. In the user mode, there is an 8-bit input/output (I/O) port, a second 8-bit I/O port shared with the analog-to-digital (A/D) subsystem, one 3-bit I/O port shared with the serial input/output port (SIOP), and a 2-bit I/O port shared with the 16-bit timer subsystem.

6.3.2 Bootloader Mode

Bootloader mode is entered upon the rising edge of $\overline{\text{RESET}}$ if the $\overline{\text{IRQ}}$ pin is twice the V_{DD} voltage and the TCAP/PD7 pin is at logic 1. In bootloader mode, the user EEPROM and mask option register (MOR) bytes can be erased and programmed. **Figure 6-1** shows the bootloader circuit. PTC4 determines whether erasing or programming will occur as shown in **Table 6-2**.

Table 6-2. Bootloader Functions

PTC4	Function
0	Bulk erase/blank verify
1	Bulk erase/program/verify

6.3.2.1 Bulk Erase/Blank Verify

To use the bootloader circuit to bulk erase the user EEPROM, follow this sequence:

1. Close $\overline{\text{RESET}}$ switch and PTC4 switch so these pins are held low.
2. Apply 12-V power to $\overline{\text{IRQ}}$.
3. Release $\overline{\text{RESET}}$.
4. Programming LED will turn on while bulk erase is occurring.
5. When bulk erase is finished, programming LED will turn off.
6. When blank verify is finished, verify LED will turn on.
7. Close $\overline{\text{RESET}}$ switch.
8. Remove 12 V from $\overline{\text{IRQ}}$, then remove power.

Operating Modes

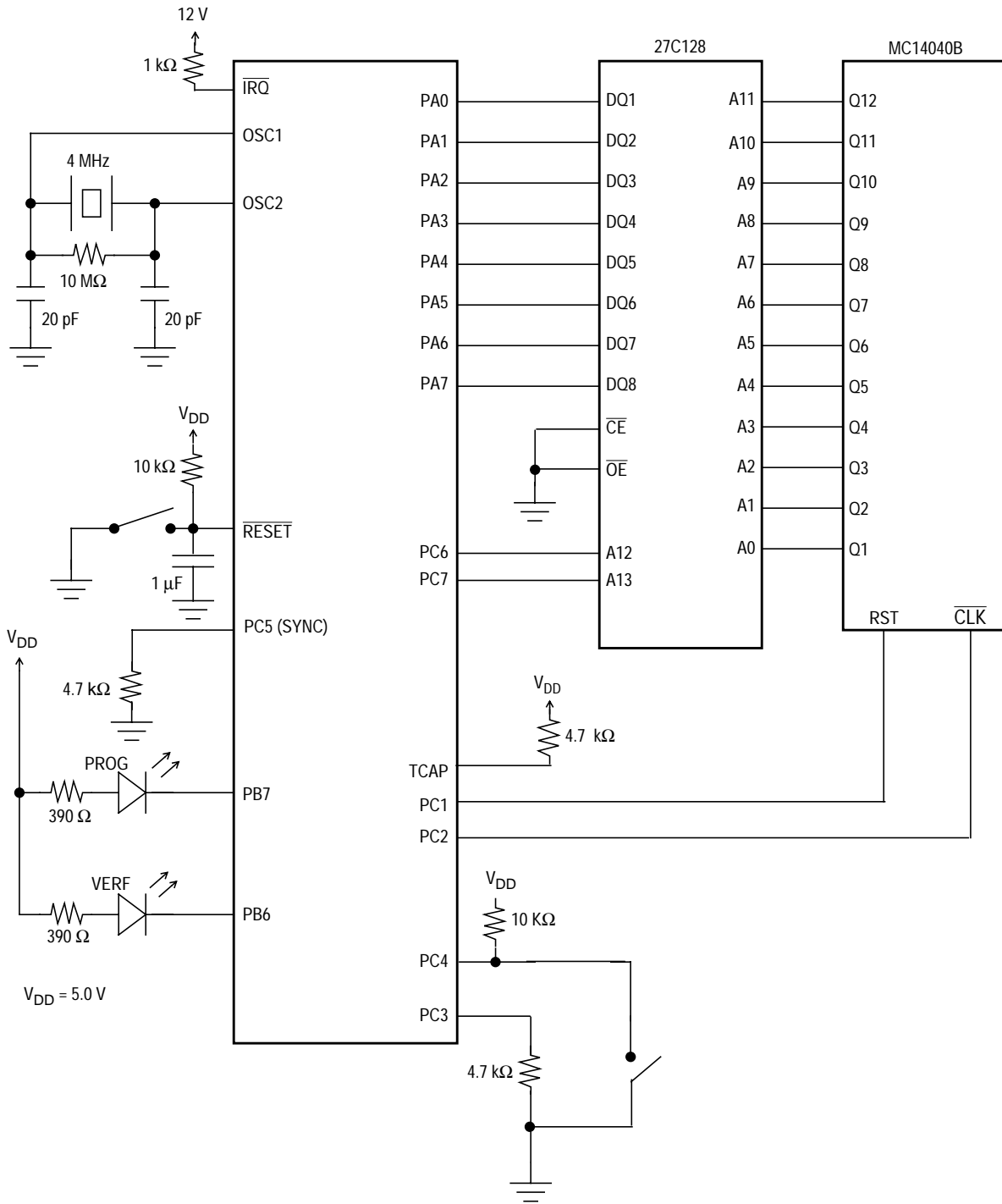


Figure 6-1. Bootloader Circuit

6.3.2.2 Bulk Erase/Program Verify

To use the bootloader circuit to bulk erase, program, and verify the user EEPROM, follow this sequence:

1. Close $\overline{\text{RESET}}$ switch so $\overline{\text{RESET}}$ is low upon power up.
2. Open PTC4 switch so PTC4 remains high during reset sequence.
3. Make sure code to be loaded into user EEPROM is in the external EPROM (shown as 27C128).
4. Apply 12 V power to $\overline{\text{IRQ}}$.
5. Release $\overline{\text{RESET}}$.
6. Programming LED will be on during bulk erase and programming. (The code in the 27C128 will be loaded into the user EEPROM and MOR.)
7. When programming is finished, the programming LED will turn off.
8. When the verify is finished, verify LED will turn on.
9. Close $\overline{\text{RESET}}$ switch.
10. Remove 12 V from $\overline{\text{IRQ}}$, then remove power.

NOTE: *Bootloader mode is the only mode in which the user can program the 8-K user EEPROM and MOR. The 128-byte EEPROM can be programmed in user mode.*

6.4 Low-Power Modes

The MC68HC(8)05P18 is capable of running in a low-power mode in each of its configurations. The WAIT and STOP instructions provide modes that reduce the power required for the MCU by stopping various internal clocks and/or the on-chip oscillator. The STOP and WAIT instructions are not normally used if the COP watchdog timer is enabled (MOR1, bit 0). The stop conversion to halt option (MOR1, bit 5) is used to modify the behavior of the STOP instruction from stop mode to halt mode. The flow of the stop, halt, and wait modes is shown in [Figure 6-2](#).

Operating Modes

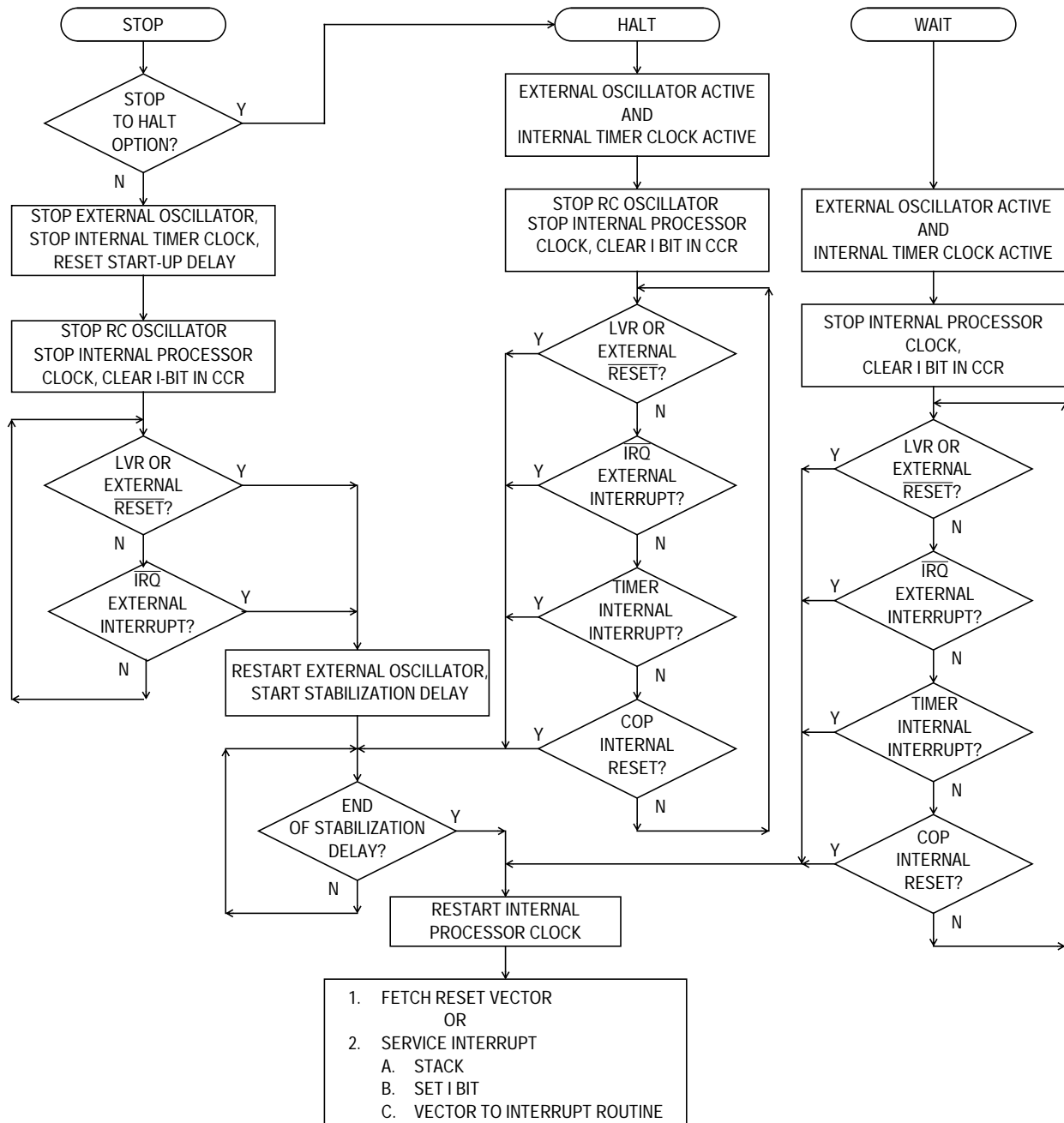


Figure 6-2. STOP/WAIT Flowcharts

6.5 STOP Instruction

The STOP instruction can result in one of two modes of operation depending on the option programmed in the mask option register 1. If the stop conversion to halt option (MOR1, bit 5) is not chosen, the STOP instruction will behave like a normal STOP instruction in the M68HC805 Family and place the MCU in stop mode. If the stop conversion to halt option is chosen, the STOP instruction will behave like a WAIT instruction (with the exception of a brief delay at startup) and place the MCU in halt mode.

6.5.1 Stop Mode

Execution of the STOP instruction (without conversion to halt) places the MCU in its lowest power-consumption mode. In stop mode, the internal oscillator is turned off, stopping *all* internal processing including the COP watchdog timer. The RC oscillator that feeds the EEPROM and the A/D converter is also stopped. Execution of the STOP instruction automatically clears the I bit in the condition code register so that the $\overline{\text{IRQ}}$ external interrupt is enabled. All other registers and memory remain unaltered. All input/output lines remain unchanged.

The MCU can be brought out of the stop mode only by an IRQ external interrupt (or port A, if selected as an option in the MOR2) or an externally generated reset. When exiting stop mode, the internal oscillator will resume after a 4064 PH2 clock cycle oscillator stabilization delay.

NOTE: *Execution of the STOP instruction without conversion to halt (via MOR1) will cause the oscillator to stop, and therefore disable the COP watchdog timer. If the COP watchdog timer is to be used, stop mode should be changed to halt mode by programming the appropriate option in MOR1.*

6.5.2 Halt Mode

Execution of the STOP instruction with the conversion to halt places the MCU in this low-power mode. Halt mode consumes the same amount of power as wait mode (both halt and wait modes consume more power than stop mode).

In halt mode the PH2 clock is halted, suspending all processor and internal bus activity. Internal timer clocks remain active, permitting interrupts to be generated from the 16-bit timer or a reset to be generated from the COP watchdog timer. Execution of the STOP instruction automatically clears the I bit in the condition code register enabling the $\overline{\text{IRQ}}$ external interrupt. All other registers, memory, and input/output lines remain in their previous states.

If the 16-bit timer interrupt is enabled, it will cause the processor to exit halt mode and resume normal operation. Halt mode also can be exited when an $\overline{\text{IRQ}}$ external interrupt (or port A, if selected as an option in the MOR2) or external $\overline{\text{RESET}}$ occurs. When exiting halt mode, the PH2 clock will resume after a delay of one to 4064 PH2 clock cycles. This varied delay time is the result of the halt mode exit circuitry testing the oscillator stabilization delay timer (a feature of the stop mode), which has been free-running (a feature of the wait mode).

NOTE: *Halt mode is not intended for normal use. This feature is provided to keep the COP watchdog timer active in the event a STOP instruction is executed inadvertently.*

6.5.3 WAIT Instruction

The WAIT instruction places the MCU in a low-power mode which consumes more power than stop mode. In wait mode, the PH2 clock is halted, suspending all processor and internal bus activity. Internal timer clocks remain active, permitting interrupts to be generated from the 16-bit timer and reset to be generated from the COP watchdog timer. Execution of the WAIT instruction automatically clears the I bit in the condition code register enabling the $\overline{\text{IRQ}}$ external interrupt. All other registers, memory, and input/output lines remain in their previous state.

If the 16-bit timer interrupt is enabled, it will cause the processor to exit wait mode and resume normal operation. The 16-bit timer may be used to generate a periodic exit from wait mode. Wait mode may also be exited when an \overline{IRQ} or \overline{RESET} occurs. Note that if port A interrupts (if programmed as an option in the mask option register 1) will also exit wait mode. However, when exiting wait mode, the internal oscillator will not need to wait for 4064 PH2 clock cycles to stabilize as in the stop and halt modes.

6.6 COP Watchdog Timer Considerations

The COP watchdog timer is active in user mode of operation when programmed as an option in MOR1. Executing the STOP instruction without conversion to halt (via mask option register1) will cause the COP to be disabled. Therefore, it is recommended that the STOP instruction be modified to produce halt mode (via MOR1) if the COP watchdog timer will be enabled.

Furthermore, it is recommended that the COP watchdog timer be disabled for applications that will use the halt or wait modes for time periods that will exceed the COP timeout period.

COP watchdog timer interactions are summarized in [Table 6-3](#).

Table 6-3. COP Watchdog Timer Recommendations

IF these conditions exist:		THEN the COP Watchdog Timer Should Be:
STOP Instruction Mode	Wait Period	
Halt mode selected via MOR1, bit 5	WAIT period <i>less than</i> COP timeout	Enable or disable COP via MOR1, bit 0
Halt mode selected via MOR1, bit 5	WAIT period <i>more than</i> COP timeout	Disable COP via MOR1, bit 0
Stop mode selected via MOR1, bit 5	Any length wait period	Disable COP via MOR1, bit 0

Section 7. Input/Output (I/O) Ports

7.1 Contents

7.2	Introduction	63
7.3	Port A	64
7.4	Port B	65
7.5	Port C	66
7.6	Port D	67
7.7	I/O Port Programming	68

7.2 Introduction

In user mode, 20 bidirectional input/output (I/O) lines are arranged as two 8-bit I/O ports (ports A and C), one 3-bit I/O port (port B), and one 1-bit I/O port (port D). These ports are programmable as either inputs or outputs under software control of the data direction registers (DDRs). An input-only pin is associated with port D.

7.3 Port A

Port A is an 8-bit bidirectional port which can share its pins with the IRQ interrupt system as shown in **Figure 7-1**. Each port A pin is controlled by the corresponding bits in a data direction register and a data register. The port A data register is located at address \$0000. The port A data direction register (DDRA) is located at address \$0004. Reset clears the DDRA, thereby initializing port A as an input port. The port A data register is unaffected by reset.

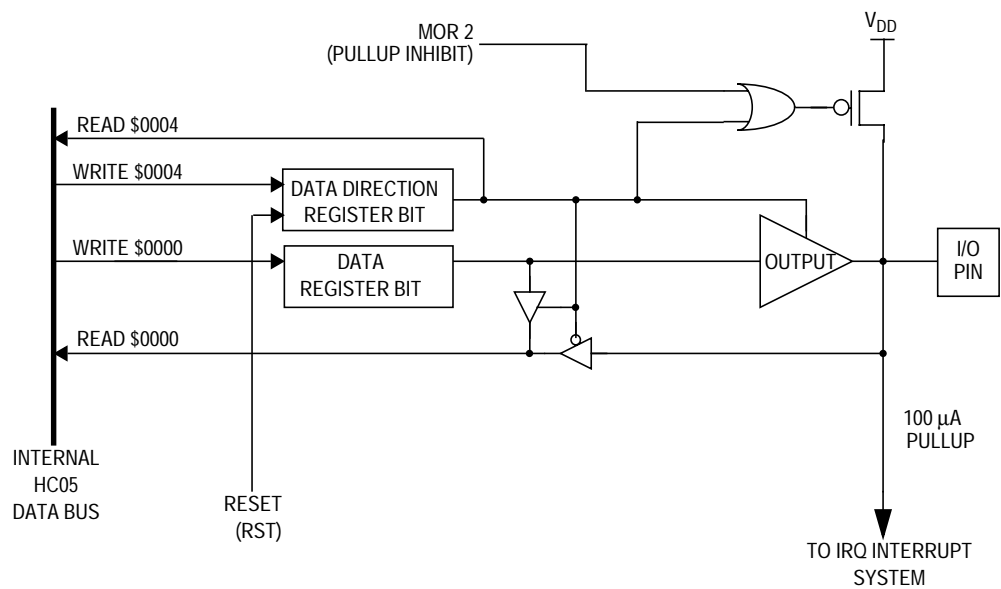


Figure 7-1. Port A I/O Circuitry

7.4 Port B

Port B is a 3-bit bidirectional port which can share pins PB5–PB7 with the serial input/output port (SIOP) communications subsystem. The port B data register is located at address \$0001 and its data direction register (DDR) is located at address \$0005. Reset does not affect the data registers, but clears the DDRs, thereby setting all of the port pins to input mode. Writing a logic 1 to a DDR bit sets the corresponding port pin to output mode. Writing a logic 1 to a DDR bit sets the corresponding port pin to output mode (see [Figure 7-2](#)).

Port B may be used for general I/O applications when the SIOP subsystem is disabled. The SPE bit in register SPCR is used to enable/disable the SIOP subsystem. When the SIOP subsystem is enabled, port B registers are still accessible to software. Writing to either of the port B registers while a data transfer is under way could corrupt the data. See [Section 11. Serial Input/Output Port \(SIOP\)](#) for a discussion of the SIOP subsystem.

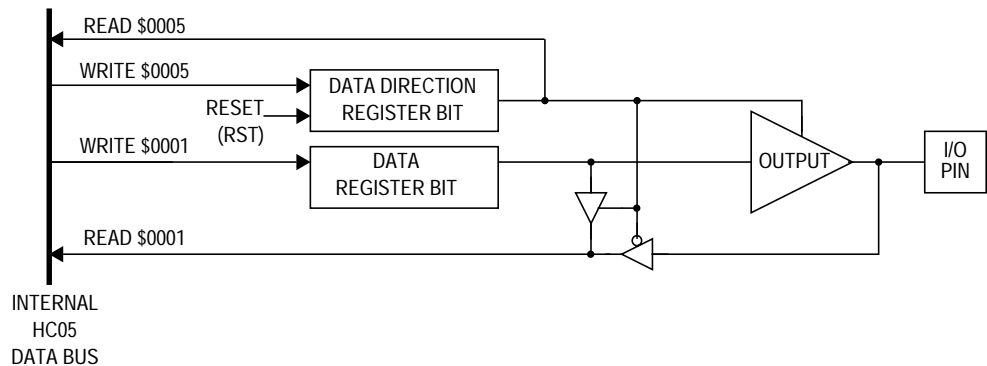


Figure 7-2. Port B I/O Circuitry

7.5 Port C

Port C is an 8-bit bidirectional port which can share pins PC3–PC7 with the A/D subsystem. The port C data register is located at address \$0002 and its data direction register (DDR) is located at address \$0006. Reset does not affect the data registers, but clears the DDRs, thereby setting all of the port pins to input mode. Writing a logic 1 to a DDR bit sets the corresponding port pin to output mode (see [Figure 7-3](#)). Two port C pins, PC0 and PC1, can source and sink a higher current than a typical I/O pin. See [Section 13. Electrical Specifications](#) regarding current specifications.

Port C may be used for general I/O applications when the A/D subsystem is disabled. The ADON bit in register ADSC is used to enable/disable the A/D subsystem. Care must be exercised when using pins PC0–PC2 while the A/D subsystem is enabled. Accidental changes to bits that affect pins PC3–PC7 in the data or DDR registers will produce unpredictable results in the A/D subsystem. See [Section 9. Analog-to-Digital \(A/D\) Converter](#).

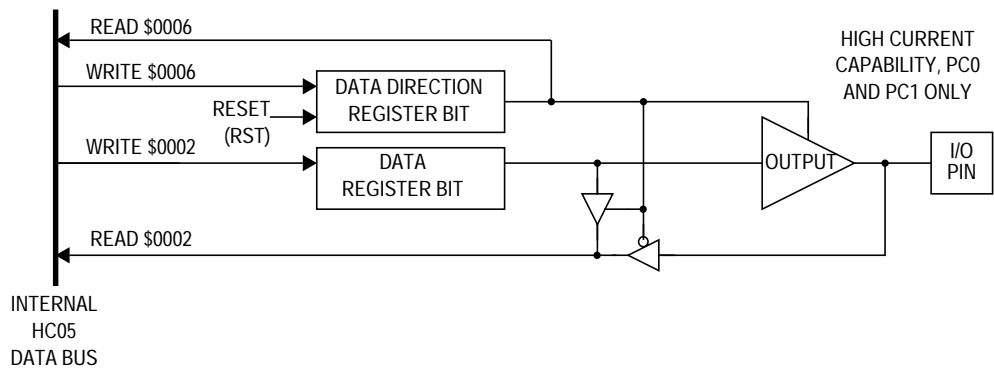


Figure 7-3. Port C I/O Circuitry

7.6 Port D

Port D is a 2-bit port with one bidirectional pin (PD5/CKOUT) and one input-only pin (PD7). Pin PD7 is shared with the 16-bit timer. PD5 can be replaced with a buffered OSC2 clock output via MOR1. The port D data register is located at address \$0003 and its data direction register (DDR) is located at address \$0007. Reset does not affect the data registers, but clears the DDRs, thereby setting PD5/CKOUT to input mode. Writing a 1 to DDR bit 5 sets PD5/CKOUT to output mode (see [Figure 7-4](#)).

Port D may be used for general I/O applications regardless of the state of the 16-bit timer. Since PD7 is an input-only line, its state can be read from the port D data register at any time.

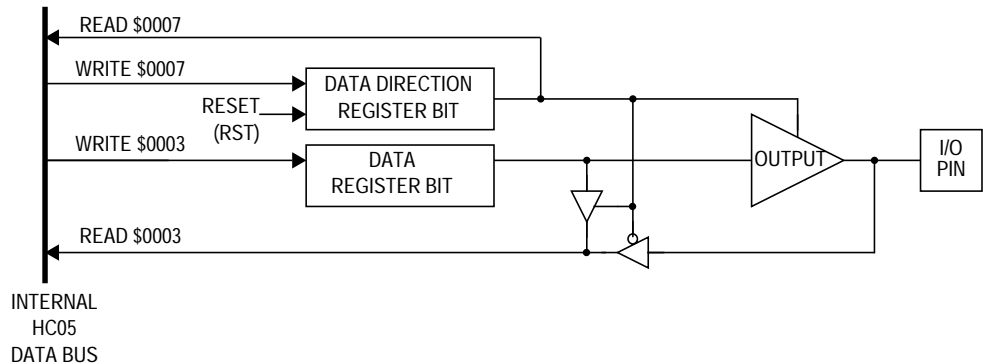


Figure 7-4. Port D I/O Circuitry

7.7 I/O Port Programming

Each pin on port A through port D (except pin 7 of port D) may be programmed as an input or an output under software control as shown in [Table 7-1](#), [Table 7-2](#), [Table 7-3](#), and [Table 7-4](#). The direction of a pin is determined by the state of its corresponding bit in the associated port data direction register (DDR). A pin is configured as an output if its corresponding DDR bit is set to a logic 1. A pin is configured as an input if its corresponding DDR bit is cleared to a logic 0.

Table 7-1. Port A I/O Functions

DDRA	I/O Pin Mode	Access to DDRA @ \$0004	Access to Data Register @ \$0000	
		Read/Write	Read	Write
0	Input, high impedance	DDRA0–DDRA7	I/O pin	*
1	Output	DDRA0–DDRA157	PA0–PA7	PA0–PA7

*Does not affect input, but stored to data register

Table 7-2. Port B I/O Functions

DDRB	I/O Pin Mode	Access to DDRA @ \$0005	Access to Data Register @ \$0001	
		Read/Write	Read	Write
0	Input, high impedance	DDRB5–DDRB7	I/O pin	*
1	Output	DDRB5–DDRB7	PB5–PB7	PB5–PB7

*Does not affect input, but stored to data register

Table 7-3. Port C I/O Functions

DDRA	I/O Pin Mode	Access to DDRA @ \$0006	Accesses to Data Register @ \$0002	
		Read/Write	Read	Write
0	Input, high impedance	DDRC0–DDRC7	I/O pin	*
1	Output	DDRC0–DDRC7	PC0–PC7	PC0–PC7

*Does not affect input, but stored to data register

Table 7-4. Port D I/O Functions

DDRA	I/O Pin Mode	Access to DDRA @ \$0007	Accesses to Data Register @ \$0003	
		Read/Write	Read	Write
0	Input, high impedance	DDRD5	I/O pin	*
1	Output	DDRD5	PD5/CKOUT	PD5/CKOUT

*Does not affect input, but stored to data register

**PD7 is input-only

NOTE: *To avoid generating a glitch on an I/O port pin, data should be written to the I/O port data register before writing a logical 1 to the corresponding data direction register.*

Section 8. EEPROM

8.1 Contents

8.2	Introduction	71
8.3	EEPROM Programming Register	72
8.4	Programming/Erasing Procedures	74
8.5	Mask Option Registers	75

8.2 Introduction

This section describes the electrically erasable, programmable read-only memory (EEPROM) which is located at address \$0140 and consists of 128 bytes. Programming the EEPROM can be done by the user on a single byte basis by manipulating the programming register located at address \$001C.

Also, the mask option register (MOR), which consists of two additional EEPROM bytes, is discussed.

8.3 EEPROM Programming Register

The contents and use of the programming register are discussed here.

Address: \$001C

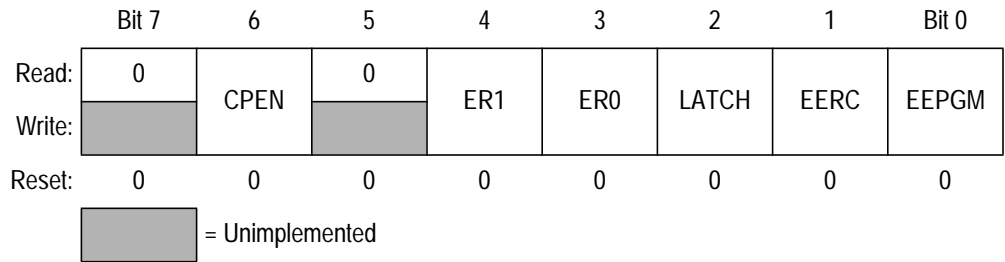


Figure 8-1. EEPROM Programming Register (EEPROG)

CPEN — Charge Pump Enable Bit

When set, CPEN enables the charge pump which produces the internal EEPROM programming voltage. This bit should be set concurrently with the LATCH bit. The programming voltage will not be available until EEGM is set. The charge pump should be disabled when not in use. CPEN is readable and writable and is cleared by reset.

ER1 and ER0 — Erase Select Bits

ER1 and ER0 form a 2-bit field which is used to select one of three erase modes: byte, block, or bulk. [Table 8-1](#) shows the modes selected for each bit configuration. These bits are readable and writable and are cleared by reset.

Table 8-1. Erase Mode Select

ER1	ER0	Mode
0	0	Program (no erase)
0	1	Byte erase
1	0	Block erase
1	1	Bulk erase

In byte erase mode, only the selected byte is erased. In block mode, a 32-byte block of EEPROM is erased. The EEPROM memory space is divided into four 32-byte blocks (\$140–\$15F, \$160–\$17F, \$180–\$19F and \$1A0–\$1BF) and doing a block erase to any address within a block will erase the entire block. In bulk erase mode, the entire 128-byte EEPROM section is erased.

LATCH — Latch Bit

When set, LATCH configures the EEPROM address and data bus for programming. Writes to the EEPROM array cause the data bus and the address bus to be latched. This bit is readable and writable, but reads from the array are inhibited if the LATCH bit is set and a write to the EEPROM space has taken place.

When clear, address and data buses are configured for normal operation. Reset clears this bit.

EERC — EEPROM RC Oscillator Control Bit

When this bit is set, the EEPROM section uses the internal RC oscillator instead of the CPU clock. The RC oscillator is shared with the A/D converter, so this bit should be set by the user when the internal bus frequency is below 1.5 MHz to guarantee reliable operation of the EEPROM or A/D converter. After setting the EERC bit, delay a time, t_{RCON} , to allow the RC oscillator to stabilize. This bit is readable and writable. The EERC bit is cleared by reset. The RC oscillator is disabled while the MCU is in stop mode.

EEPGM — EEPROM Programming Power Enable Bit

EEPGM must be written to enable (or disable) the EEGPM function. When set, EEGPM turns on the charge pump and enables the programming (or erasing) power to the EEPROM array. When clear, this power is switched off. This will enable pulsing of the programming voltage to be controlled internally. This bit can be read at any time, but can only be written to if LATCH = 1. If LATCH is not set, then EEGPM cannot be set. LATCH and EEGPM cannot both be set with one write if LATCH is cleared. EEGPM is cleared automatically when LATCH is cleared. Reset clears this bit.

8.4 Programming/Erasing Procedures

To program a byte of EEPROM, set LATCH = CPEN = 1, set ER1 = ER0 = 0, write data to the desired address, and then set EEPGM for a time, t_{EPGM} .

NOTE: *Any bit should be erased before it is programmed. However, if write/erase cycling is a concern, the following procedure will minimize the cycling of each bit in each EEPROM byte.*

If $PB \cdot \overline{EB} = 0$, then program the new data over the existing data without erasing it first. If $PB \cdot \overline{EB} \neq 0$, then erase the byte before programming where PB = byte data to be programmed and EB = existing EEPROM byte data.

To erase a **byte** of EEPROM, set LATCH = 1, CPEN = 1, ER1 = 0, and ER0 = 1, write to the address to be erased and set EEPGM for a time, t_{EBYT} .

To erase a **block** of EEPROM, set LATCH = 1, CPEN = 1, ER1 = 1, and ER0 = 0, write to any address in the block, and set EEPGM for a time, t_{EBLOCK} .

For a **bulk** erase, set LATCH = 1, CPEN = 1, ER1 = 1, and ER0 = 1, write to any address in the array, and set EEPGM for a time, t_{EBULK} .

To terminate the programming or erase sequence, clear EEPGM, delay for a time t_{FPV} to allow the program voltage to fall, and then clear LATCH and CPEN to free up the buses. Following each erase or programming sequence, clear all programming control bits.

NOTE: *Erased/programmed state of the programming EEPROM (128 bytes) and the user EEPROM (8064 bytes) is opposite. An erased EEPROM memory location is a logic 0 for user EEPROM, while it is a logic 1 for programming EEPROM.*

8.5 Mask Option Registers

The mask option registers (MOR) consist of two EEPROM bytes located at \$3F00 and \$3F01. The MORs hold the 16 option bits for:

- The SIOP data format, interrupt sensitivity
- COP enable/disable
- SIOP clock rate
- LVR enable/disable
- Stop conversion to halt, pullup/interrupt enable on port A
- Clock output option to replace PD5

When in the erased state, the EEPROM cells will read as logic 0s. These registers are refreshed every 256 μ s during power-on reset and every 16 ms after the part is out of reset (assuming $f_{OSC} = 4$ MHz).

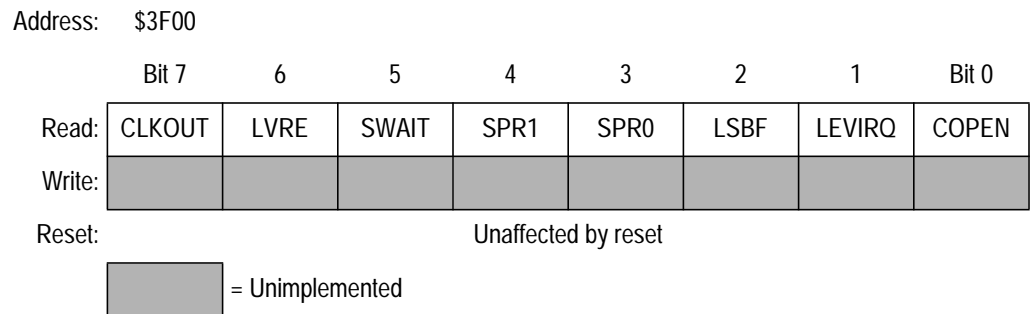


Figure 8-2. Mask Option Register 1 (MOR1)

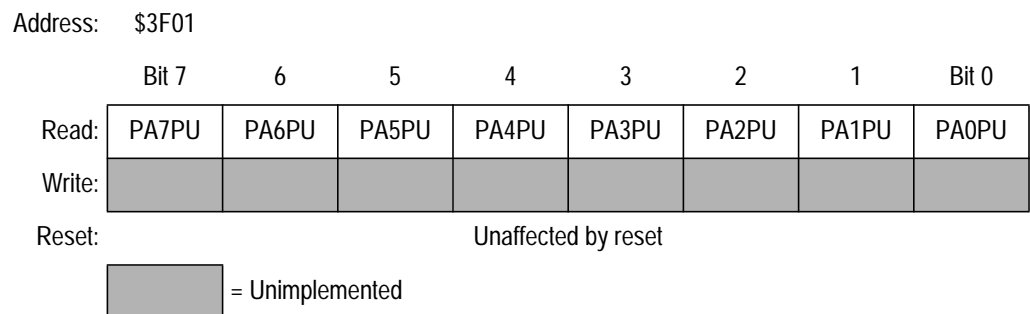


Figure 8-3. Mask Option Register 2 (MOR2)

COPEN — COP Enable/Disable Bit

COPEN may be read at any time. In user mode, writing has no effect. It has to be programmed in bootloader mode.

- 0 = The COP is disabled (erased state).
- 1 = The COP is enabled.

LEVIRQ — Interrupt Request Option Bit

LEVIRQ may be read at any time. In user mode, writing has no effect. It has to be programmed in bootloader mode.

- 0 = The $\overline{\text{IRQ}}$ pin is edge-sensitive (erased state).
- 1 = The $\overline{\text{IRQ}}$ pin is edge- and level-sensitive.

LSBF — SIOP MSB or LSB First Bit

LSBF may be read at any time. In user mode, writing has no effect. It has to be programmed in bootloader mode.

- 0 = The SIOP sends/receives MSB (bit 7) first (erased state).
- 1 = The SIOP sends/receives LSB (bit 0) first.

SPR1 and SPR0 — SIOP Rate Select Bits

These bits may be read at any time. In user mode, writing has no effect. It has to be programmed in bootloader mode.

Table 8-2. SIOP Clock Rate Selection

SPR1	SPR0	Frequency
0	0	f_{OSC} divided by 16
0	1	f_{OSC} divided by 8
1	0	f_{OSC} divided by 4
1	1	f_{OSC} divided by 2

SWAIT — STOP Conversion to WAIT Bit

SWAIT may be read at any time. In user mode, writing has no effect. It has to be programmed in bootloader mode.

- 0 = STOP instruction puts MCU in stop mode.
- 1 = STOP instruction puts MCU in halt mode.

LVRE — LVR Enable/Disable Bit

LVRE may be read at any time. In user mode, writing has no effect. It has to be programmed in bootloader mode.

0 = The LVR is disabled (erased state).

1 = The LVR is enabled.

CLKOUT — CLKOUT Enable/Disable Bit

CLKOUT may be read at any time. In user mode, writing has no effect. It has to be programmed in bootloader mode.

0 = The CLKOUT is disabled (erased state).

1 = The CLKOUT is enabled.

PA7PU–PA0PU — Port A Pullups/Interrupt Enable/Disable Bits

These bits may be read at any time. In user mode, writing has no effect. It has to be programmed in bootloader mode.

0 = Port A (bits 0–7) pullups/interrupt is disabled (erased state).

1 = Port A (bits 0–7) pullups/interrupt is enabled.

Section 9. Analog-to-Digital (A/D) Converter

9.1 Contents

9.2	Introduction	79
9.3	Analog Section	80
9.3.1	Ratiometric Conversion	80
9.3.2	V_{REFH}	80
9.3.3	Accuracy and Precision	80
9.3.4	Conversion Process	80
9.4	Digital Section	81
9.4.1	Conversion Times	81
9.4.2	Internal versus External Oscillator	81
9.4.3	Multi-Channel Operation	82
9.5	A/D Status and Control Register	82
9.6	A/D Conversion Data Register	84
9.7	A/D Subsystem During Wait/Halt Modes	84
9.8	A/D Subsystem Operation During Stop Mode	84

9.2 Introduction

The MC68HC(8)05P18 includes a 4-channel, multiplexed input, 8-bit successive approximation analog-to-digital (A/D) converter. The A/D subsystem shares its inputs with port C pins PC3–PC7.

9.3 Analog Section

This section describes the operation and performance of analog modules within the analog subsystem.

9.3.1 Ratiometric Conversion

The A/D converter is ratiometric, with pin V_{REFH} supplying the high reference voltage. Applying an input voltage equal to V_{REFH} produces a conversion result of \$FF (full scale). Applying an input voltage equal to V_{SS} produces a conversion result of \$00. An input voltage greater than V_{REFH} will convert to \$FF with no overflow indication. For ratiometric conversions, V_{REFH} should be at the same potential as the supply voltage being used by the analog signal being measured and referenced to V_{SS} .

9.3.2 V_{REFH}

The reference supply for the A/D converter shares pin PC7 with port C. The low reference is tied to the V_{SS} pin internally. V_{REFH} can be any voltage between V_{SS} and V_{DD} ; however, the accuracy of conversions is tested and guaranteed only for $V_{REFH} = V_{DD}$.

9.3.3 Accuracy and Precision

The 8-bit conversion result is accurate to within $\pm 1 \frac{1}{2}$ LSB (least significant bit), including quantization; however, the accuracy of conversions is tested and guaranteed only with external oscillator operation.

9.3.4 Conversion Process

The A/D reference inputs are applied to a precision digital-to-analog converter. Control logic drives the D/A and the analog output is successively compared to the selected analog input which was sampled at the beginning of the conversion cycle. The conversion process is monotonic and has no missing codes.

9.4 Digital Section

This section describes the operation and performance of digital modules within the analog subsystem.

9.4.1 Conversion Times

Each input conversion requires 32 PH2 clock cycles, which must be at a frequency equal to or greater than 1 MHz.

9.4.2 Internal versus External Oscillator

If the MCU PH2 clock frequency is less than 1 MHz (2 MHz external oscillator), the internal RC oscillator (approximately 1.5 MHz) must be used for the A/D converter clock. The internal RC clock is selected by setting the EERC bit in the EEPROM programming register (EPROG).

NOTE: *The RC oscillator is shared with the EEPROM module. The RC oscillator is disabled while the MCU is in stop mode.*

When the internal RC oscillator is being used, these limitations apply:

1. Since the internal RC oscillator is running asynchronously with respect to the PH2 clock, the conversion complete bit (CC) in the A/D status and control register must be used to determine when a conversion sequence has been completed.
2. Electrical noise will slightly degrade the accuracy of the A/D converter. The A/D converter is synchronized to read voltages during the quiet period of the clock driving it. Since the internal and external clocks are not synchronized, the A/D converter occasionally will measure an input when the external clock is making a transition.
3. If the PH2 clock is 1 MHz or greater (for instance, external oscillator 2 MHz or greater), the internal RC oscillator should be turned off and the external oscillator used as the conversion clock.

Analog-to-Digital (A/D) Converter

9.4.3 Multi-Channel Operation

An input multiplexer allows the A/D converter to select from one of four external analog signals. Port C pins PC3–PC6 are shared with the inputs to the multiplexer.

9.5 A/D Status and Control Register

The ADSC register reports the completion of A/D conversion and provides control over oscillator selection, analog subsystem power, and input channel selection. See Figure 9-1.



Figure 9-1. A/D Status and Control Register (ADSC)

CC — Conversion Complete Bit

This read-only status bit is set when a conversion sequence has completed and data is ready to be read from the ADC register. CC is cleared when a channel is selected for conversion, when data is read from the ADC register, or when the A/D subsystem is turned off. Once a conversion has been started, conversions of the selected channel will continue every 32 PH2 clock cycles until the ADSC register is written to again. During continuous conversion operation, the ADC register will be updated with new data and the CC bit set every 32 PH2 clock cycles. Also, data from the previous conversion will be overwritten regardless of the state of the CC bit.

Reserved

This bit is not used currently. It can be read or written, but does not control anything.

ADON — A/D Subsystem On Bit

When the A/D subsystem is turned on (ADON = 1), it requires a time, t_{ADON} , to stabilize before accurate conversion results can be attained.

CH2-CH0 — Channel Select Bits

CH2, CH1, and CH0 form a 3-bit field which is used to select an input to the A/D converter. Channels 0–3 correspond to port C input pins PC6–PC3. Channels 4–6 are used for reference measurements. In user mode channel 7 is reserved. If a conversion is attempted with channel 7 selected the result will be \$00. **Table 9-1** lists the inputs selected by bits CH0–CH3.

If the ADON bit is set and an input from channels 0–4 is selected, the corresponding port C pin’s DDR bit will be cleared (making that port C pin an input). If the port C data register is read while the A/D is on and one of the shared input channels is selected using bit CH0–CH2, the corresponding port C pin will read as a logic 0. The remaining port C pins will read normally. To digitally read a port C pin, the A/D subsystem must be disabled (ADON = 0) or input channels 5–7 must be selected.

Table 9-1. A/D Multiplexer Input Channel Assignments

Channel	Signal
0	AD0 — port C, bit 6
1	AD1 — port C, bit 5
2	AD2 — port C, bit 4
3	AD3 — port C, bit 3
4	V_{REFH} — port C, bit 7
5	$(V_{REFH} + V_{SS})/2$
6	V_{SS}
7	Reserved

9.6 A/D Conversion Data Register

This register contains the output of the A/D converter. See [Figure 9-2](#).

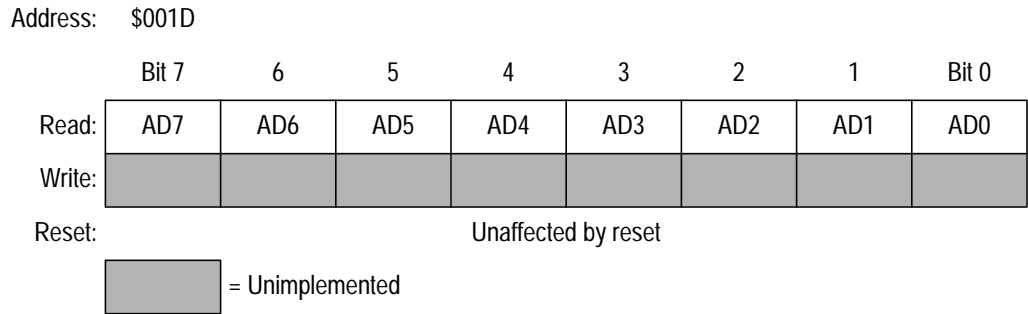


Figure 9-2. A/D Conversion Data Register (ADC)

9.7 A/D Subsystem During Wait/Halt Modes

The A/D subsystem continues normal operation during wait mode and halt mode. To decrease power consumption during wait or halt, the ADON bit in the ADSC register and the EERC bit in the EEPROG register should be cleared if the A/D subsystem is not being used.

9.8 A/D Subsystem Operation During Stop Mode

When stop mode is enabled, execution of the STOP instruction will terminate all A/D subsystem functions. Any pending conversion is aborted. When the oscillator resumes operation upon leaving stop mode, a finite amount of time passes before the A/D subsystem stabilizes sufficiently to provide conversions at its rated accuracy. The delays built into the MC68HC805P18 when coming out of stop mode are sufficient for this purpose. No explicit delays need to be added to the application software.

Section 10. 16-Bit Timer

10.1 Contents

10.2	Introduction	85
10.3	Timer	87
10.4	Output Compare	90
10.5	Input Capture	92
10.6	Timer Control Register	94
10.7	Timer Status Register	95
10.8	Timer Operation During Wait/Halt Modes	97
10.9	Timer Operation During Stop Mode	97

10.2 Introduction

The MC68HC(8)05P18 MCU contains a single 16-bit programmable timer with an input capture function and an output compare function. The 16-bit timer is driven by the output of a fixed divide-by-four prescaler operating from the PH2 clock. The 16-bit timer may be used for many applications including input waveform measurement, while simultaneously generating an output waveform. Pulse widths can vary from microseconds to seconds depending on the oscillator frequency selected. The 16-bit timer is also capable of generating periodic interrupts. See [Figure 10-1](#).

16-Bit Timer

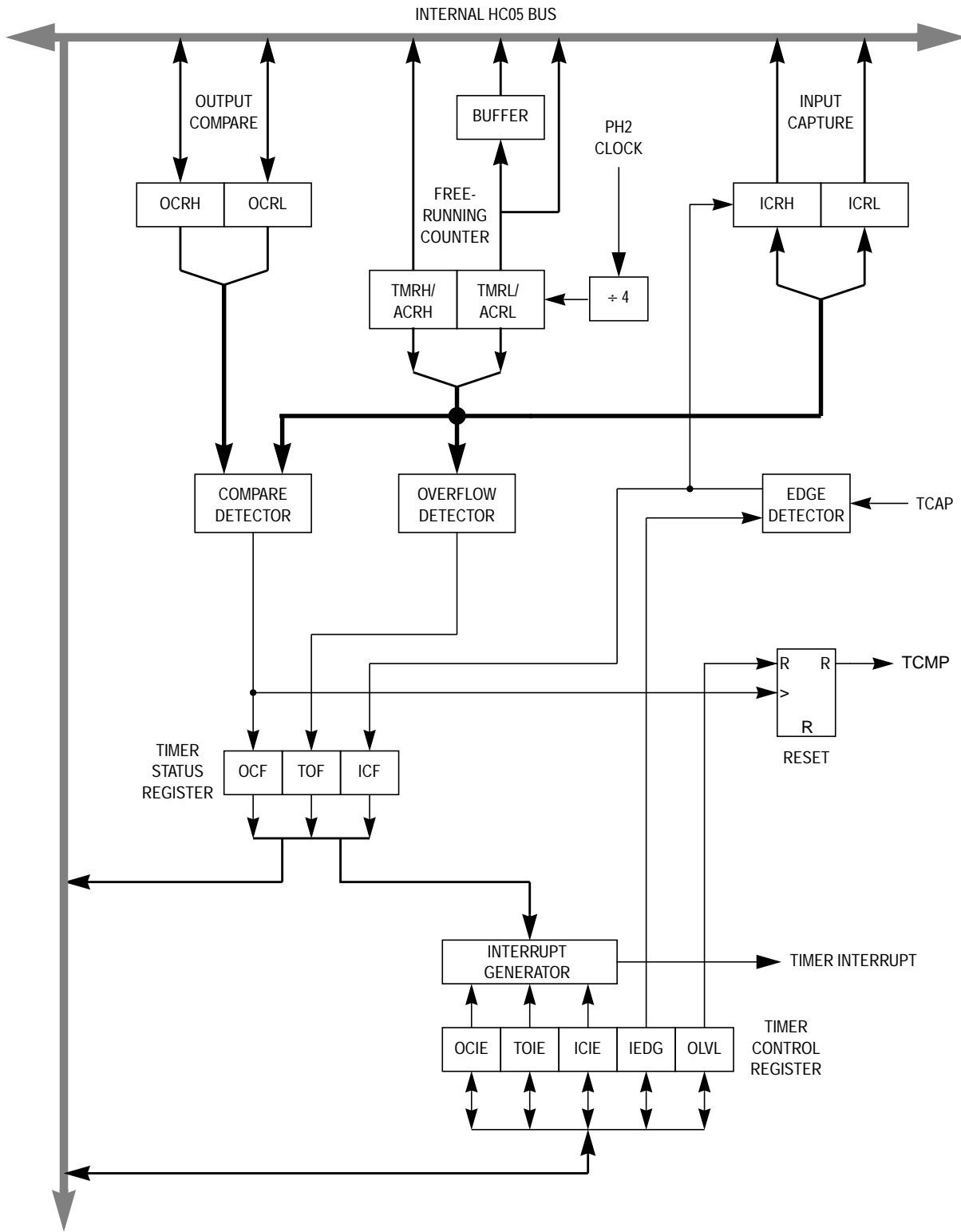


Figure 10-1. 16-Bit Timer Block Diagram

Because the timer has a 16-bit architecture, each function is represented by two registers. Each register pair contains the high and low byte of that function. Generally, accessing the low byte of a specific timer function allows full control of that function; however, an access of the high byte inhibits that specific timer function until the low byte is also accessed.

NOTE: *The I bit in the condition code register (CCR) should be set while manipulating both the high and low byte registers of a specific timer function. This prevents interrupts from occurring between the time the high and low bytes are accessed.*

10.3 Timer

The key element of the programmable timer is a 16-bit free-running counter, or timer registers, preceded by a prescaler which divides the PH2 clock by four. The prescaler gives the timer a resolution of 2.0 microseconds when a 4-MHz crystal is used. The counter is incremented to increasing values during the low portion of the PH2 clock cycle.

The double byte free-running counter can be read from either of two locations: the timer registers (TMRH and TMRL) or the alternate counter registers (ACRH and ACRL). Both locations will contain identical values. A read sequence containing only a read of the LSB of the counter (TMRL/ACRL) will return the count value at the time of the read. If a read of the counter accesses the MSB first (TMRH/ACRH), it causes the LSB (TMRL/ACRL) to be transferred to a buffer. This buffer value remains fixed after the first MSB byte read, even if the MSB is read several times. The buffer is accessed when reading the counter LSB (TMRL/ACRL) and thus completes a read sequence of the total counter value. When reading either the timer or alternate counter registers, if the MSB is read, the LSB must also be read to complete the read sequence. See [Figure 10-2](#) and [Figure 10-3](#).

Register name and address: TMRH — \$0018

	Bit 7	6	5	4	3	2	1	Bit 0
Read:	TMRH7	TMRH6	TMRH5	TMRH4	TMRH3	TMRH2	TMRH1	TMRH0
Write:								
Reset:	1	1	1	1	1	1	1	1

Register name and address: TMRL — \$0019

	Bit 7	6	5	4	3	2	1	Bit 0
Read:	TMRL7	TMRL6	TMRL5	TMRL4	TMRL3	TMRL2	TMRL1	TMRL0
Write:								
Reset:	1	1	1	1	1	1	0	0


 = Unimplemented

Figure 10-2. Timer Registers (TMRH/TMRL)

Register name and address: ACRH — \$001A

	Bit 7	6	5	4	3	2	1	Bit 0
Read:	ACRH7	ACRH6	ACRH5	ACRH4	ACRH3	ACRH2	ACRH1	ACRH0
Write:								
Reset:	1	1	1	1	1	1	1	1

Register name and address: ACRL — \$001B

	Bit 7	6	5	4	3	2	1	Bit 0
Read:	ACRL7	ACRL6	ACRL5	ACRL4	ACRL3	ACRL2	ACRL1	ACRL0
Write:								
Reset:	1	1	1	1	1	1	0	0


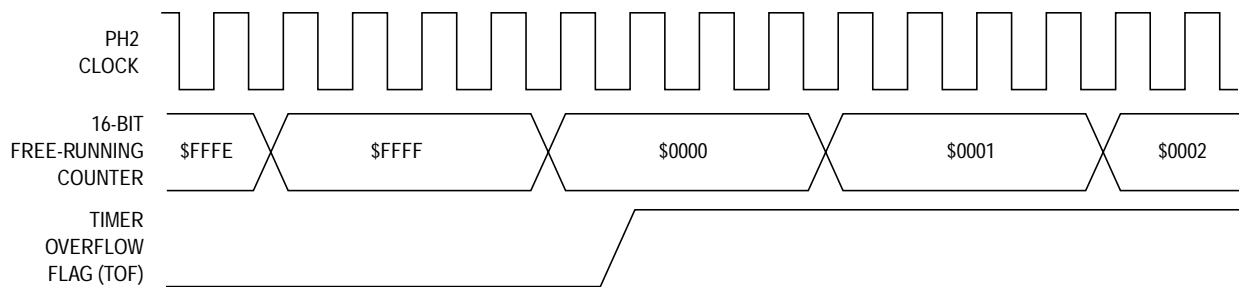
 = Unimplemented

Figure 10-3. Alternate Counter Registers (ACRH/ACRL)

The timer registers and alternate counter registers can be read at any time without affecting their value. However, the alternate counter registers differ from the timer registers in one respect: A read of the timer register most significant bit (MSB) can clear the timer overflow flag (TOF). Therefore, the alternate counter registers can be read at any time without the possibility of missing timer overflow interrupts due to clearing of the TOF. See [Figure 10-4](#).

The free-running counter is initialized to \$FFFC during reset and is a read-only register. During power-on-reset (POR), the counter is initialized to \$FFFC and begins counting after the oscillator startup delay. Because the counter is 16 bits preceded by a fixed divide-by-four prescaler, the value in the counter repeats every 262,144 PH2 clock cycles (524,288 oscillator cycles). When the free-running counter rolls over from \$FFFF to \$0000, the timer overflow flag bit (TOF) in register TSR is set. An interrupt can also be enabled when counter rollover occurs by setting the timer overflow interrupt enable bit (TOIE) in register TCR. See [Figure 10-5](#).



Note: The TOF bit is set at timer state T11 (transition of counter from \$FFFF to \$0000). It is cleared by reading the timer status register (TSR) during the high portion of the PH2 clock followed by reading the LSB of the counter register pair (TCRL).

Figure 10-4. State Timing Diagram for Timer Overflow

16-Bit Timer

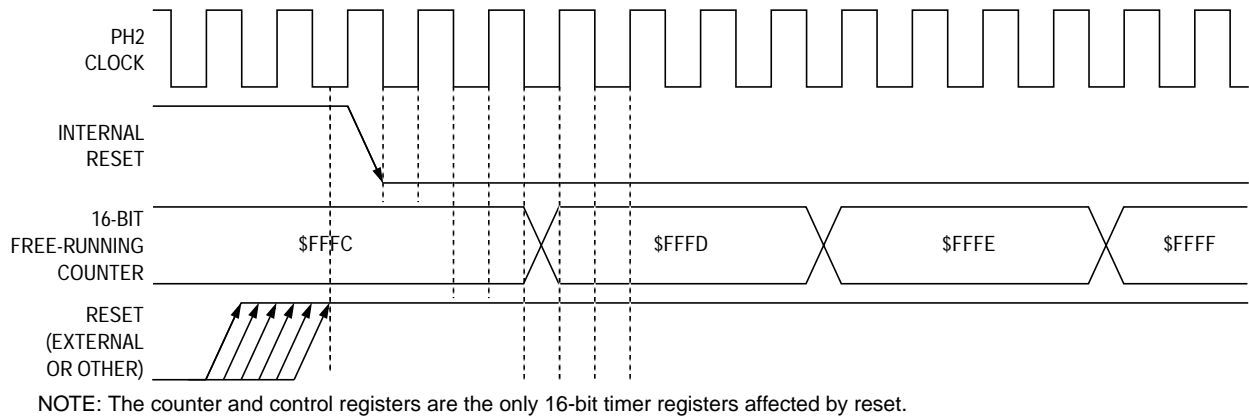


Figure 10-5. State Timing Diagram for Timer Reset

10.4 Output Compare

The output compare function may be used to generate an output waveform and/or as an elapsed time indicator. All of the bits in the output compare register pair OCRH/OCRL are readable and writable and are not altered by the 16-bit timer’s control logic. Reset does not affect the contents of these registers. If the output compare function is not utilized, its registers can be used for data storage. See [Figure 10-6](#).

Register name and address: OCRH — \$0016

	Bit 7	6	5	4	3	2	1	Bit 0
Read:	OCRH7	OCRH6	OCRH5	OCRH4	OCRH3	OCRH2	OCRH1	OCRH0
Write:								
Reset:	Unaffected by reset							

Register name and address: OCRL — \$0017

	Bit 7	6	5	4	3	2	1	Bit 0
Read:	OCRL7	OCRL6	OCRL5	OCRL4	OCRL3	OCRL2	OCRL1	OCRL0
Write:								
Reset:	Unaffected by reset							


 = Unimplemented

Figure 10-6. Output Compare Registers (OCRH/OCRL)

The contents of the output compare registers are compared with the contents of the free-running counter once every four PH2 clock cycles. If a match is found, the output compare flag bit (OCF) is set and the output level bit (OLVL) is clocked to the output latch. The values in the output compare registers and output level bit should be changed after each successful comparison to control an output waveform or to establish a new elapsed timeout. An interrupt can also accompany a successful output compare if the output compare interrupt enable bit (OCIE) is set.

After a CPU write cycle to the MSB of the output compare register pair (OCRH), the output compare function is inhibited until the least significant bit (LSB) (OCRL) is written. Both bytes must be written if the MSB is written. A write made only to the LSB will not inhibit the compare function. The free-running counter increments every four PH2 clock cycles. The minimum time required to update the output compare registers is a function of software rather than hardware.

The output compare output level bit (OLVL) will be clocked to its output latch regardless of the state of the output compare flag bit (OCF). A valid output compare must occur before the OLVL bit is clocked to its output latch (TCMP).

Since neither the output compare flag (OCF) nor the output compare registers are affected by reset, care must be exercised when initializing the output compare function. The following procedure is recommended:

1. Block interrupts by setting the I bit in the condition code register (CCR).
2. Write the MSB of the output compare register pair (OCRH) to inhibit further compares until the LSB is written.
3. Read the timer status register (TSR) to arm the output compare flag (OCF).
4. Write the LSB of the output compare register pair (OCRL) to enable the output compare function and to clear its flag (and interrupt).
5. Unblock interrupts by clearing the I bit in the CCR.

This procedure prevents the output compare flag bit (OCF) from being set between the time it is read and the time the output compare registers are updated. A software example is shown in [Figure 10-7](#).

9B		SEI		BLOCK INTERRUPTS
.
.
B6	XX	LDA	DATAH	HI BYTE FOR COMPARE
BE	XX	LDX	DATAL	LO BYTE FOR COMPARE
B7	16	STA	OCRH	INHIBIT OUTPUT COMPARE
B6	13	LDA	TSR	ARM OCF BIT TO CLEAR
BF	17	STX	OCRL	READY FOR NEXT COMPARE
.

Figure 10-7. Output Compare Software Initialization Example

10.5 Input Capture

Two 8-bit read-only registers (ICRH and ICRL) make up the 16-bit input capture. They are used to latch the value of the free-running counter after a defined transition is sensed by the input capture edge detector. See [Figure 10-8](#).

NOTE: *The input capture edge detector contains a Schmitt trigger to improve noise immunity.*

The edge that triggers the counter transfer is defined by the input edge bit (IEDG) in register TCR. Reset does not affect the contents of the input capture registers. See [Figure 10-10](#).

The result obtained by an input capture will be one more than the value of the free-running counter on the rising edge of the PH2 clock preceding the external transition (see [Figure 10-9](#)). This delay is required for internal synchronization. Resolution is affected by the prescaler, allowing the free-running counter to increment once every four PH2 clock cycles.

Register name and address: ICRH — \$0014

	Bit 7	6	5	4	3	2	1	Bit 0
Read:	ICRH7	ICRH6	ICRH5	ICRH4	ICRH3	ICRH2	ICRH1	ICRH0
Write:								
Reset:	Unaffected by reset							

Register name and address: ICRL — \$0015

	Bit 7	6	5	4	3	2	1	Bit 0
Read:	ICRL7	ICRL6	ICRL5	ICRL4	ICRL3	ICRL2	ICRL1	ICRL0
Write:								
Reset:	Unaffected by reset							


 = Unimplemented

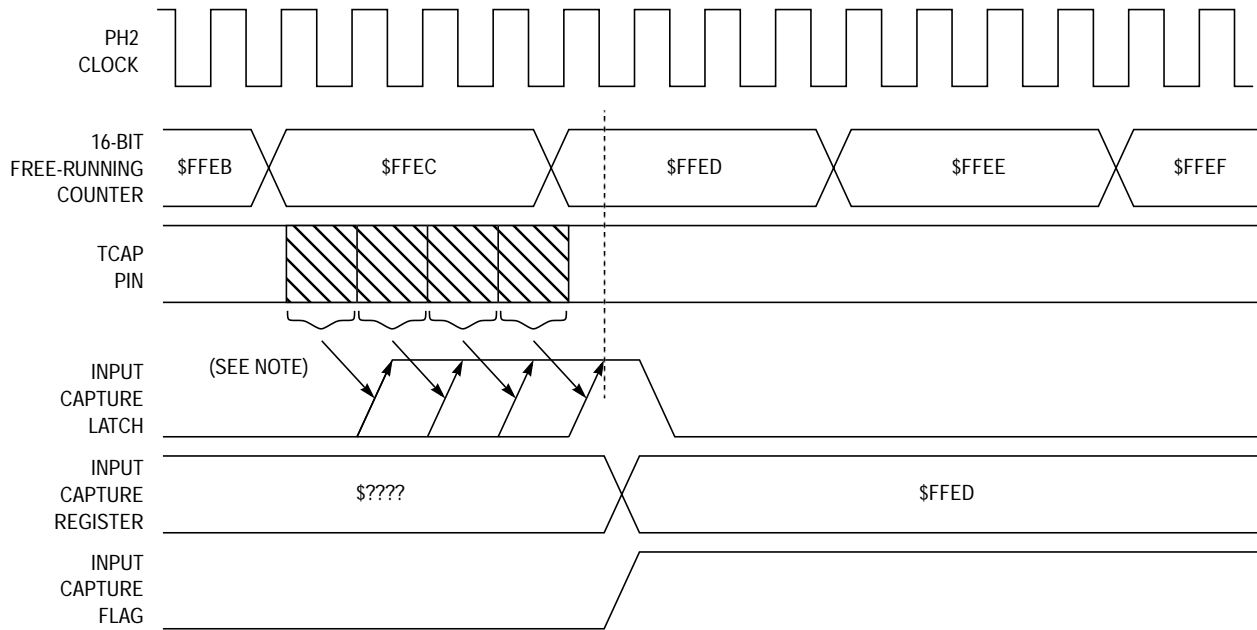
Figure 10-8. Input Capture Registers (ICRH/ICRL)

The contents of the free-running counter are transferred to the input capture registers on each proper signal transition regardless of the state of the input capture flag bit (ICF) in register TSR. The input capture registers always contain the free-running counter value which corresponds to the most recent input capture.

After a read of the MSB of the input capture register pair (ICRH), counter transfers are inhibited until the LSB of the register pair (ICRL) is also read. This characteristic forces the minimum pulse period attainable to be determined by the time required to execute an input capture software routine in an application.

Reading the LSB of the input capture register pair (ICRL) does not inhibit transfer of the free-running counter. Again, minimum pulse periods are ones which allow software to read the LSB of the register pair (ICRL) and perform needed operations. There is no conflict between reading the LSB (ICRL) and the free-running counter transfer, since they occur on opposite edges of the PH2 clock.

16-Bit Timer



Note: If the input edge occurs in the shaded area from one T10 timer state to the other T10 timer state, the input capture flag is set during the next T11 timer state.

Figure 10-9. State Timing Diagram for Input Capture

10.6 Timer Control Register

The timer control (TCR) shown in Figure 10-10 and free-running counter (TMRH, TMRL, ACRH, and ACRL) registers are the only registers of the 16-bit timer affected by reset. The output compare port (TCMP) is forced low after reset and remains low until OLVL is set and a valid output compare occurs.

Address: \$0012

	Bit 7	6	5	4	3	2	1	Bit 0
Read:	ICIE	OCIE	TOIE	0	0	0	IEDG	OLVL
Write:								
Reset:	0	0	0	0	0	0	0	0

= Unimplemented

Figure 10-10. Timer Control Register (TCR)

ICIE — Input Capture Interrupt Enable Bit

Bit 7, when set, enables input capture interrupts to the CPU. The interrupt will occur at the same time bit 7 (ICF) in the TSR register is set.

OCIE — Output Compare Interrupt Enable Bit

Bit 6, when set, enables output compare interrupts to the CPU. The interrupt will occur at the same time bit 6 (OCF) in the TSR register is set.

TOIE — Timer Overflow Interrupt Enable Bit

Bit 5, when set, enables timer overflow (rollover) interrupts to the CPU. The interrupt will occur at the same time bit 5 (TOF) in the TSR register is set.

IEDG — Input Capture Edge Select Bit

Bit 1 selects which edge of the input capture signal will trigger a transfer of the contents of the free-running counter registers to the input capture registers. Clearing this bit will select the falling edge; setting it selects the rising edge.

OLVL — Output Compare Output Level Select Bit

Bit 0 selects the output level (high or low) that is clocked into the output compare output latch at the next successful output compare.

10.7 Timer Status Register

Reading the timer status register (TSR) satisfies the first condition required to clear status flags and interrupts. See [Figure 10-11](#). The only remaining step is to read (or write) the register associated with the active status flag (and/or interrupt). This method does not present any problems for input capture or output compare functions.

However, a problem can occur when using a timer interrupt function and reading the free-running counter at random times to, for example, measure an elapsed time. If the proper precautions are not designed into

the application software, a timer interrupt flag (TOF) could unintentionally be cleared if:

1. The TSR is read when bit 5 (TOF) is set.
2. The LSB of the free-running counter is read, but not for the purpose of servicing the flag or interrupt.

The alternate counter registers (ACRH and ACRL) contain the same values as the timer registers (TMRH and TMRL). Registers ACRH and ACRL can be read at any time without affecting the timer overflow flag (TOF) or interrupt.

Address: \$0013

	Bit 7	6	5	4	3	2	1	Bit 0
Read:	ICF	OCF	TOF	0	0	0	0	0
Write:								
Reset:	U	U	U	0	0	0	0	0

= Unimplemented U = Unaffected

Figure 10-11. Timer Status Register (TSR)

ICF — Input Capture Flag

Bit 7 is set when the edge specified by IEDG in register TCR has been sensed by the input capture edge detector fed by pin TCAP. This flag and the input capture interrupt can be cleared by reading register TSR followed by reading the LSB of the input capture register pair (ICRL).

OCF — Output Compare Flag

Bit 6 is set when the contents of the output compare registers match the contents of the free-running counter. This flag and the output compare interrupt can be cleared by reading register TSR followed by writing the LSB of the output compare register pair (OCRL).

TOF — Timer Overflow Flag

Bit 5 is set by a rollover of the free-running counter from \$FFFF to \$0000. This flag and the timer overflow interrupt can be cleared by reading register TSR followed by reading the LSB of the timer register pair (TMRL).

10.8 Timer Operation During Wait and Halt Modes

During wait and halt modes, the 16-bit timer continues to operate normally and may generate an interrupt to trigger the MCU out of wait and halt modes.

10.9 Timer Operation During Stop Mode

When the MCU enters stop mode, the free-running counter stops counting (the PH2 clock is stopped). It remains at that particular count value until the stop mode is exited by applying a low signal to the $\overline{\text{IRQ}}$ pin, at which time the counter resumes from its stopped value as if nothing had happened. If stop mode is exited via an external $\overline{\text{RESET}}$ (logic low applied to the $\overline{\text{RESET}}$ pin), the counter is forced to \$FFFC.

If a valid input capture edge occurs at the TCAP pin during stop mode, the input capture detect circuitry will be armed. This action does not set any flags or “wake up” the MCU, but when the MCU does “wake up” there will be an active input capture flag (and data) from the first valid edge. If stop mode is exited by an external $\overline{\text{RESET}}$, no input capture flag or data will be present even if a valid input capture edge was detected during stop mode.

Section 11. Serial Input/Output Port (SIOP)

11.1 Contents

11.2	Introduction	99
11.3	SIOP Signal Format	100
11.3.1	Serial Clock (SCK)	100
11.3.2	Serial Data Input (SDI)	101
11.3.3	Serial Data Output (SDO)	102
11.4	SIOP Registers	102
11.4.1	SIOP Control Register	102
11.4.2	SIOP Status Register	104
11.4.3	SIOP Data Register	105

11.2 Introduction

The simple synchronous serial input/output port (SIOP) subsystem is designed to provide efficient serial communications between peripheral devices or other MCUs. The SIOP is implemented as a 3-wire master/slave system with serial clock (SCK), serial data Input (SDI), and serial data output (SDO). A block diagram of the SIOP is shown in **Figure 11-1**.

The SIOP subsystem shares its input/output pins with port B. When the SIOP is enabled (SPE bit set in register SCR), port B data direction registers (DDR) and data registers are modified by the SIOP. Although port B DDR and data registers can be altered by application software, these actions could affect the transmitted or received data.

Serial Input/Output Port (SIOP)

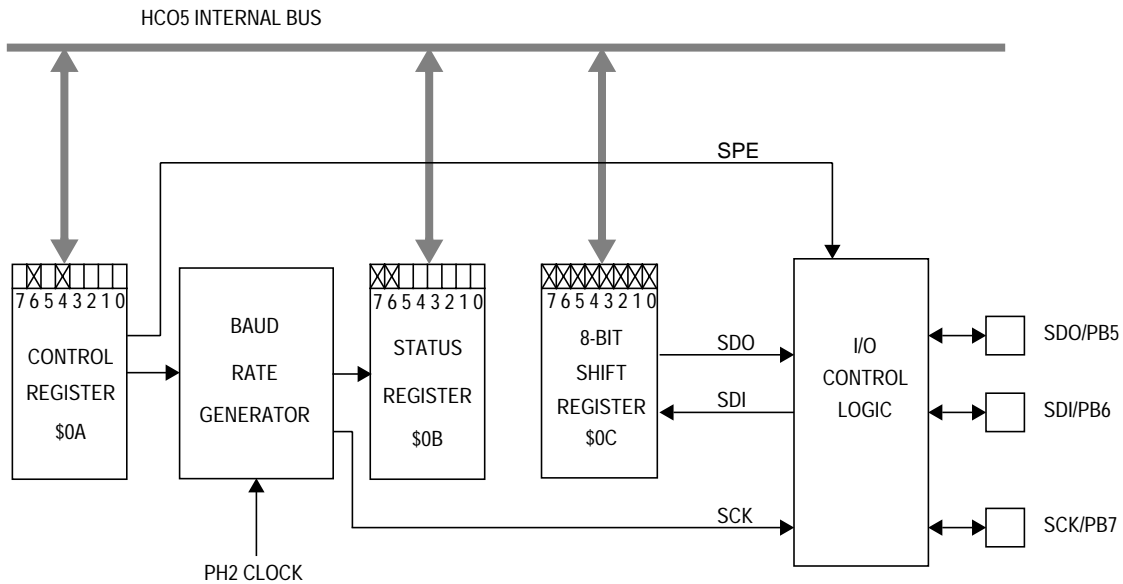


Figure 11-1. SIOP Block Diagram

11.3 SIOP Signal Format

The SIOP subsystem is software configurable for master or slave operation. No external mode selection inputs are available (such as the slave select pin).

11.3.1 Serial Clock (SCK)

The state of the serial clock (SCK) output normally remains a logic 1 during idle periods between data transfers. The first falling edge of SCK signals the beginning of a data transfer. At this time, the first bit of received data is accepted at the SDI pin and the first bit of transmitted data is presented at the SDO pin (see Figure 11-2). Data is captured at the SDI pin on the rising edge of SCK, and the first bit of transmitted data is presented at the SDO pin. The transfer is terminated upon the eighth rising edge of SCK.

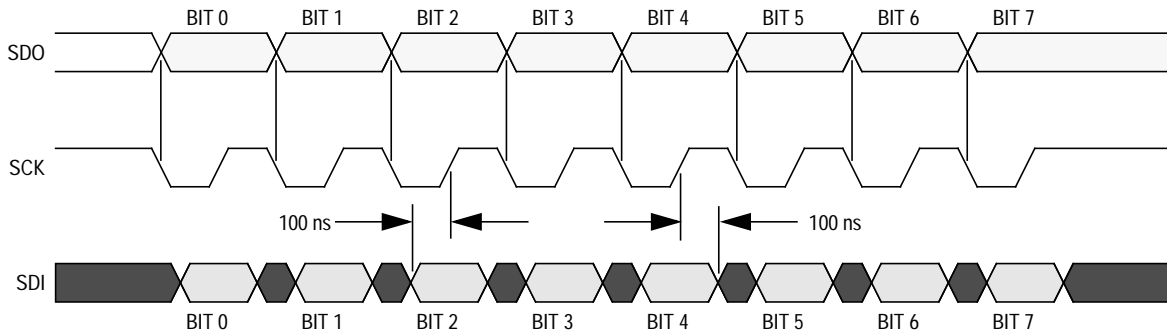


Figure 11-2. SIOP Timing Diagram

The master and slave modes of operation differ only by the sourcing of SCK. In master mode, SCK is driven from an internal source within the MCU. In slave mode, SCK is driven from a source external to the MCU. The SCK frequency is programmable via the mask option register 1 (MOR1). Available rates are OSC divided by 2, 4, 8, or 16.

NOTE: OSC divided by 2 is four times faster than the standard rate available on the 68HC05P6.

Refer to [8.5 Mask Option Registers](#) for a description of available mask option registers.

11.3.2 Serial Data Input (SDI)

The SDI pin becomes an input as soon as the SIOP subsystem is enabled. New data is presented to the SDI pin on the falling edge of SCK. Valid data must be present at least 100 nanoseconds before the rising edge of SCK and remain valid for 100 nanoseconds after the rising edge of SCK. See [Figure 11-2](#).

Serial Input/Output Port (SIOP)

11.3.3 Serial Data Output (SDO)

The SDO pin becomes an output as soon as the SIOP subsystem is enabled. Prior to enabling the SIOP, PB5 can be initialized to determine the beginning state. While the SIOP is enabled, PB5 cannot be used as a standard output since that pin is connected to the last stage of the SIOP serial shift register. The data can be transmitted in either MSB first format or the LSB format by programming the MOR1.

On the first falling edge of SCK, the first data bit will be shifted out to the SDO pin. The remaining data bits will be shifted out to the SDI pin on subsequent falling edges of SCK. The SDO pin will present valid data at least 100 nanoseconds before the rising edge of the SCK and remain valid for 100 nanoseconds after the rising edge of SCK. See

Figure 11-2.

11.4 SIOP Registers

The SIOP is programmed and controlled by the SIOP control register (SCR) located at address \$000A, the SIOP status register (SSR) located at address \$000B, and the SIOP data register (SDR) located at address \$000C.

11.4.1 SIOP Control Register

This register is located at address \$000A and contains two bits.

Figure 11-3 shows the position of each bit in the register and indicates the value of each bit after reset.

Address: \$000A

	Bit 7	6	5	4	3	2	1	Bit 0
Read:	0	SPE	0	MSTR	0	0	0	0
Write:								
Reset:	0	0	0	0	0	0	0	0


 = Unimplemented

Figure 11-3. SIOP Control Register (SCR)

SPE — Serial Peripheral Enable Bit

When set, the SPE bit enables the SIOP subsystem such that SDO/PB5 is the serial data output, SDI/PB6 is the serial data input, and SCK/PB7 is a serial clock input in slave mode or a serial clock output in master mode. Port B DDR and data registers can be manipulated as usual (except for PB5); however, these actions could affect the transmitted or received data.

The SPE bit is readable and writable at any time. Clearing the SPE bit while a transmission is in progress will:

1. Abort the transmission
2. Reset the serial bit counter
3. Convert the port B/SIOP port to a general-purpose I/O port

Reset clears the SPE bit.

MSTR — Master Mode Select Bit

When set, the MSTR bit configures the serial I/O port for master mode. A transfer is initiated by writing to the SDR. Also, the SCK pin becomes an output providing a synchronous data clock dependent upon the oscillator frequency. When the device is in slave mode, the SDO and SDI pins do not change function. These pins behave exactly the same in both the master and slave modes.

The MSTR bit is readable and writable at any time regardless of the state of the SPE bit. Clearing the MSTR bit will abort any transfers that may have been in progress. Reset clears the MSTR bit, placing the SIOP subsystem in slave mode.

Serial Input/Output Port (SIOP)

11.4.2 SIOP Status Register

This register is located at address \$000B and contains two bits.

Figure 11-4 shows the position of each bit in the register and indicates the value of each bit after reset.

Address: \$000B

	Bit 7	6	5	4	3	2	1	Bit 0
Read:	SPIF	DCOL	0	0	0	0	0	0
Write:								
Reset:	0	0	0	0	0	0	0	0

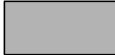
 = Unimplemented

Figure 11-4. SIOP Status Register (SSR)

SPIF — Serial Port Interface Flag

SPIF is a read-only status bit that is set on the last rising edge of SCK and indicates that a data transfer has been completed. It has no effect on any future data transfers and can be ignored. The SPIF bit is cleared by reading the SSR followed by a read or write of the SDR. If the SPIF is cleared before the last rising edge of SCK, it will be set again on the last rising edge of SCK. Reset clears the SPIF bit.

DCOL — Data Collision Bit

DCOL is a read-only status bit which indicates that an illegal access of the SDR has occurred. The DCOL bit will be set when reading or writing the SDR after the first falling edge of SCK and before SPIF is set. Reading or writing the SDR during this time will result in invalid data being transmitted or received.

The DCOL bit is cleared by reading the SSR (when the SPIF bit is set) followed by a read or write of the SDR. If the last part of the clearing sequence is done after another transfer has started, the DCOL bit will be set again. Reset clears the DCOL bit.

11.4.3 SIOP Data Register

This register is located at address \$000C and serves as both the transmit and receive data register. Writing to this register will initiate a message transmission if the SIOP is in master mode. The SIOP subsystem is not double buffered and any write to this register will destroy the previous contents. The SDR can be read at any time; however, if a transfer is in progress, the results may be ambiguous and the DCOL bit will be set. Writing to the SDR while a transfer is in progress can cause invalid data to be transmitted and/or received.

Figure 11-5 shows the position of each bit in the register. This register is not affected by reset.

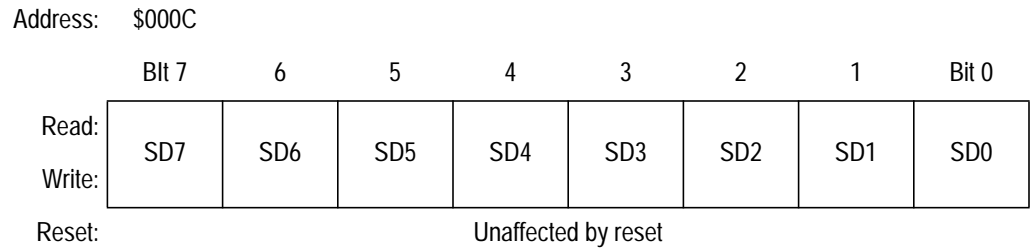


Figure 11-5. SIOP Data Register (SDR)

Section 12. Instruction Set

12.1 Contents

12.2	Introduction	107
12.3	Addressing Modes	108
12.3.1	Inherent	108
12.3.2	Immediate	108
12.3.3	Direct	109
12.3.4	Extended	109
12.3.5	Indexed, No Offset	109
12.3.6	Indexed, 8-Bit Offset	109
12.3.7	Indexed, 16-Bit Offset	110
12.3.8	Relative	110
12.4	Instruction Types	111
12.4.1	Register/Memory Instructions	111
12.4.2	Read-Modify-Write Instructions	112
12.4.3	Jump/Branch Instructions	112
12.4.4	Bit Manipulation Instructions	114
12.4.5	Control Instructions	114
12.5	Instruction Set Summary	115
12.6	Opcode Map	121

12.2 Introduction

This section describes the addressing modes and instruction types.

12.3 Addressing Modes

The CPU uses eight addressing modes for flexibility in accessing data. The addressing modes define the manner in which the CPU finds the data required to execute an instruction.

The eight addressing modes are:

- Inherent
- Immediate
- Direct
- Extended
- Indexed, no offset
- Indexed, 8-bit offset
- Indexed, 16-bit offset
- Relative

12.3.1 Inherent

Inherent instructions are those that have no operand, such as return from interrupt (RTI) and stop (STOP). Some of the inherent instructions act on data in the CPU registers, such as set carry flag (SEC) and increment accumulator (INCA). Inherent instructions require no memory address and are one byte long.

12.3.2 Immediate

Immediate instructions are those that contain a value to be used in an operation with the value in the accumulator or index register. Immediate instructions require no memory address and are two bytes long. The opcode is the first byte, and the immediate data value is the second byte.

12.3.3 Direct

Direct instructions can access any of the first 256 memory addresses with two bytes. The first byte is the opcode, and the second is the low byte of the operand address. In direct addressing, the CPU automatically uses \$00 as the high byte of the operand address. BRSET and BRCLR are 3-byte instructions that use direct addressing to access the operand and relative addressing to specify a branch destination.

12.3.4 Extended

Extended instructions use only three bytes to access any address in memory. The first byte is the opcode; the second and third bytes are the high and low bytes of the operand address.

When using the Motorola assembler, the programmer does not need to specify whether an instruction is direct or extended. The assembler automatically selects the shortest form of the instruction.

12.3.5 Indexed, No Offset

Indexed instructions with no offset are 1-byte instructions that can access data with variable addresses within the first 256 memory locations. The index register contains the low byte of the conditional address of the operand. The CPU automatically uses \$00 as the high byte, so these instructions can address locations \$0000–\$00FF.

Indexed, no offset instructions are often used to move a pointer through a table or to hold the address of a frequently used RAM or I/O location.

12.3.6 Indexed, 8-Bit Offset

Indexed, 8-bit offset instructions are 2-byte instructions that can access data with variable addresses within the first 511 memory locations. The CPU adds the unsigned byte in the index register to the unsigned byte following the opcode. The sum is the conditional address of the operand. These instructions can access locations \$0000–\$01FE.

Indexed 8-bit offset instructions are useful for selecting the kth element in an n-element table. The table can begin anywhere within the first 256 memory locations and could extend as far as location 510 (\$01FE). The k value is typically in the index register, and the address of the beginning of the table is in the byte following the opcode.

12.3.7 Indexed, 16-Bit Offset

Indexed, 16-bit offset instructions are 3-byte instructions that can access data with variable addresses at any location in memory. The CPU adds the unsigned byte in the index register to the two unsigned bytes following the opcode. The sum is the conditional address of the operand. The first byte after the opcode is the high byte of the 16-bit offset; the second byte is the low byte of the offset. These instructions can address any location in memory.

Indexed, 16-bit offset instructions are useful for selecting the kth element in an n-element table anywhere in memory.

As with direct and extended addressing, the Motorola assembler determines the shortest form of indexed addressing.

12.3.8 Relative

Relative addressing is only for branch instructions. If the branch condition is true, the CPU finds the conditional branch destination by adding the signed byte following the opcode to the contents of the program counter. If the branch condition is not true, the CPU goes to the next instruction. The offset is a signed, two's complement byte that gives a branching range of -128 to $+127$ bytes from the address of the next location after the branch instruction.

When using the Motorola assembler, the programmer does not need to calculate the offset because the assembler determines the proper offset and verifies that it is within the span of the branch.

12.4 Instruction Types

The MCU instructions fall into five categories:

- Register/memory instructions
- Read-modify-write instructions
- Jump/Branch instructions
- Bit manipulation instructions
- Control instructions

12.4.1 Register/Memory Instructions

Most of these instructions use two operands. One operand is in either the accumulator or the index register. The CPU finds the other operand in memory. [Table 12-1](#) lists the register/memory instructions.

Table 12-1. Register/Memory Instructions

Instruction	Mnemonic
Add memory byte and carry bit to accumulator	ADC
Add memory byte to accumulator	ADD
AND memory byte with accumulator	AND
Bit test accumulator	BIT
Compare accumulator	CMP
Compare index register with memory byte	CPX
EXCLUSIVE OR accumulator with memory byte	EOR
Load accumulator with memory byte	LDA
Load index register with memory byte	LDX
Multiply	MUL
OR accumulator with memory byte	ORA
Subtract memory byte and carry bit from accumulator	SBC
Store accumulator in memory	STA
Store index register in memory	STX
Subtract memory byte from accumulator	SUB

12.4.2 Read-Modify-Write Instructions

These instructions read a memory location or a register, modify its contents, and write the modified value back to the memory location or to the register. The test for negative or zero instruction (TST) is an exception to the read-modify-write sequence because it does not write a replacement value. [Table 12-2](#) lists the read-modify-write instructions.

Table 12-2. Read-Modify-Write Instructions

Instruction	Mnemonic
Arithmetic shift left	ASL
Arithmetic shift right	ASR
Clear bit in memory	BCLR
Set bit in memory	BSET
Clear	CLR
Complement (one's complement)	COM
Decrement	DEC
Increment	INC
Logical shift left	LSL
Logical shift right	LSR
Negate (two's complement)	NEG
Rotate left through carry bit	ROL
Rotate right through carry bit	ROR
Test for negative or zero	TST

12.4.3 Jump/Branch Instructions

Jump instructions allow the CPU to interrupt the normal sequence of the program counter. The unconditional jump instruction (JMP) and the jump- to-subroutine instruction (JSR) have no register operand. Branch instructions allow the CPU to interrupt the normal sequence of the program counter when a test condition is met. If the test condition is not met, the branch is not performed. All branch instructions use relative addressing.

Bit test and branch instructions cause a branch based on the state of any readable bit in the first 256 memory locations. These 3-byte instructions

use a combination of direct addressing and relative addressing. The direct address of the byte to be tested is in the byte following the opcode. The third byte is the signed offset byte. The CPU finds the conditional branch destination by adding the third byte to the program counter if the specified bit tests true. The bit to be tested and its condition (set or clear) is part of the opcode. The span of branching is from -128 to +127 from the address of the next location after the branch instruction. The CPU also transfers the tested bit to the carry/borrow bit of the condition code register. **Table 12-3** lists the jump and branch instructions.

Table 12-3. Jump and Branch Instructions

Instruction	Mnemonic
Branch if carry bit clear	BCC
Branch if carry bit set	BCS
Branch if equal	BEQ
Branch if half-carry bit clear	BHCC
Branch if half-carry bit set	BHCS
Branch if higher	BHI
Branch if higher or same	BHS
Branch if \overline{IRQ} pin high	BIH
Branch if \overline{IRQ} pin low	BIL
Branch if lower	BLO
Branch if lower or same	BLS
Branch if interrupt mask clear	BMC
Branch if minus	BMI
Branch if interrupt mask set	BMS
Branch if not equal	BNE
Branch if plus	BPL
Branch always	BRA
Branch if bit clear	BRCLR
Branch never	BRN
Branch if bit set	BRSET
Branch to subroutine	BSR
Unconditional jump	JMP
Jump to subroutine	JSR

12.4.4 Bit Manipulation Instructions

The CPU can set or clear any writable bit in the first 256 bytes of memory. Port registers, port data direction registers, timer registers, and on-chip RAM locations are in the first 256 bytes of memory. The CPU can also test and branch based on the state of any bit in any of the first 256 memory locations. Bit manipulation instructions use direct addressing. [Table 12-4](#) lists these instructions.

Table 12-4. Bit Manipulation Instructions

Instruction	Mnemonic
Clear bit	BCLR
Branch if bit clear	BRCLR
Branch if bit set	BRSET
Set bit	BSET

12.4.5 Control Instructions

These register reference instructions control CPU operation during program execution. Control instructions, listed in [Table 12-5](#), use inherent addressing.

Table 12-5. Control Instructions

Instruction	Mnemonic
Clear carry bit	CLC
Clear interrupt mask	CLI
No operation	NOP
Reset stack pointer	RSP
Return from interrupt	RTI
Return from subroutine	RTS
Set carry bit	SEC
Set interrupt mask	SEI
Stop oscillator and enable $\overline{\text{IRQ}}$ pin	STOP
Software interrupt	SWI
Transfer accumulator to index register	TAX
Transfer index register to accumulator	TXA
Stop CPU clock and enable interrupts	WAIT

12.5 Instruction Set Summary

Table 12-6 is an alphabetical list of all M68HC05 instructions and shows the effect of each instruction on the condition code register.

Table 12-6. Instruction Set Summary (Sheet 1 of 7)

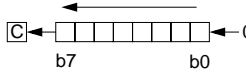
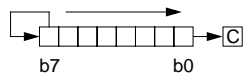
Source Form	Operation	Description	Effect on CCR					Address Mode	Opcode	Operand	Cycles
			H	I	N	Z	C				
ADC #opr ADC opr ADC opr ADC opr,X ADC opr,X ADC ,X	Add with Carry	$A \leftarrow (A) + (M) + (C)$	↑	—	↑	↑	↑	IMM DIR EXT IX2 IX1 IX	A9 B9 C9 D9 E9 F9	ii dd hh ll ee ff ff	2 3 4 5 4 3
ADD #opr ADD opr ADD opr ADD opr,X ADD opr,X ADD ,X	Add without Carry	$A \leftarrow (A) + (M)$	↑	—	↑	↑	↑	IMM DIR EXT IX2 IX1 IX	AB BB CB DB EB FB	ii dd hh ll ee ff ff	2 3 4 5 4 3
AND #opr AND opr AND opr AND opr,X AND opr,X AND ,X	Logical AND	$A \leftarrow (A) \wedge (M)$	—	—	↑	↑	—	IMM DIR EXT IX2 IX1 IX	A4 B4 C4 D4 E4 F4	ii dd hh ll ee ff ff	2 3 4 5 4 3
ASL opr ASLA ASLX ASL opr,X ASL ,X	Arithmetic Shift Left (Same as LSL)		—	—	↑	↑	↑	DIR INH INH IX1 IX	38 48 58 68 78	dd ff	5 3 3 6 5
ASR opr ASRA ASRX ASR opr,X ASR ,X	Arithmetic Shift Right		—	—	↑	↑	↑	DIR INH INH IX1 IX	37 47 57 67 77	dd ff	5 3 3 6 5
BCC rel	Branch if Carry Bit Clear	$PC \leftarrow (PC) + 2 + rel ? C = 0$	—	—	—	—	—	REL	24	rr	3

Table 12-6. Instruction Set Summary (Sheet 2 of 7)

Source Form	Operation	Description	Effect on CCR					Address Mode	Opcode	Operand	Cycles
			H	I	N	Z	C				
BCLR <i>n opr</i>	Clear Bit <i>n</i>	$M_n \leftarrow 0$						DIR (b0)	11	dd	5
								DIR (b1)	13	dd	5
								DIR (b2)	15	dd	5
								DIR (b3)	17	dd	5
								DIR (b4)	19	dd	5
								DIR (b5)	1B	dd	5
								DIR (b6)	1D	dd	5
						DIR (b7)	1F	dd	5		
BCS <i>rel</i>	Branch if Carry Bit Set (Same as BLO)	$PC \leftarrow (PC) + 2 + rel ? C = 1$	—	—	—	—	—	REL	25	rr	3
BEQ <i>rel</i>	Branch if Equal	$PC \leftarrow (PC) + 2 + rel ? Z = 1$	—	—	—	—	—	REL	27	rr	3
BHCC <i>rel</i>	Branch if Half-Carry Bit Clear	$PC \leftarrow (PC) + 2 + rel ? H = 0$	—	—	—	—	—	REL	28	rr	3
BHCS <i>rel</i>	Branch if Half-Carry Bit Set	$PC \leftarrow (PC) + 2 + rel ? H = 1$	—	—	—	—	—	REL	29	rr	3
BHI <i>rel</i>	Branch if Higher	$PC \leftarrow (PC) + 2 + rel ? C \vee Z = 0$	—	—	—	—	—	REL	22	rr	3
BHS <i>rel</i>	Branch if Higher or Same	$PC \leftarrow (PC) + 2 + rel ? C = 0$	—	—	—	—	—	REL	24	rr	3
BIH <i>rel</i>	Branch if \overline{IRQ} Pin High	$PC \leftarrow (PC) + 2 + rel ? \overline{IRQ} = 1$	—	—	—	—	—	REL	2F	rr	3
BIL <i>rel</i>	Branch if \overline{IRQ} Pin Low	$PC \leftarrow (PC) + 2 + rel ? \overline{IRQ} = 0$	—	—	—	—	—	REL	2E	rr	3
BIT # <i>opr</i> BIT <i>opr</i> BIT <i>opr</i> BIT <i>opr</i> , <i>X</i> BIT <i>opr</i> , <i>X</i> BIT , <i>X</i>	Bit Test Accumulator with Memory Byte	$(A) \wedge (M)$	—	—	↑	↑	—	IMM DIR EXT IX2 IX1 IX	A5 B5 C5 D5 E5 F5	ii dd hh ll ee ff ff p	2 3 4 5 4 3
BLO <i>rel</i>	Branch if Lower (Same as BCS)	$PC \leftarrow (PC) + 2 + rel ? C = 1$	—	—	—	—	—	REL	25	rr	3
BLS <i>rel</i>	Branch if Lower or Same	$PC \leftarrow (PC) + 2 + rel ? C \vee Z = 1$	—	—	—	—	—	REL	23	rr	3
BMC <i>rel</i>	Branch if Interrupt Mask Clear	$PC \leftarrow (PC) + 2 + rel ? I = 0$	—	—	—	—	—	REL	2C	rr	3
BMI <i>rel</i>	Branch if Minus	$PC \leftarrow (PC) + 2 + rel ? N = 1$	—	—	—	—	—	REL	2B	rr	3
BMS <i>rel</i>	Branch if Interrupt Mask Set	$PC \leftarrow (PC) + 2 + rel ? I = 1$	—	—	—	—	—	REL	2D	rr	3
BNE <i>rel</i>	Branch if Not Equal	$PC \leftarrow (PC) + 2 + rel ? Z = 0$	—	—	—	—	—	REL	26	rr	3
BPL <i>rel</i>	Branch if Plus	$PC \leftarrow (PC) + 2 + rel ? N = 0$	—	—	—	—	—	REL	2A	rr	3
BRA <i>rel</i>	Branch Always	$PC \leftarrow (PC) + 2 + rel ? 1 = 1$	—	—	—	—	—	REL	20	rr	3

Table 12-6. Instruction Set Summary (Sheet 3 of 7)

Source Form	Operation	Description	Effect on CCR					Address Mode	Opcode	Operand	Cycles
			H	I	N	Z	C				
BRCLR <i>n opr rel</i>	Branch if bit n clear	$PC \leftarrow (PC) + 2 + rel ? Mn = 0$	—	—	—	—	↓	DIR (b0)	01	dd rr	5
								DIR (b1)	03	dd rr	5
								DIR (b2)	05	dd rr	5
								DIR (b3)	07	dd rr	5
								DIR (b4)	09	dd rr	5
								DIR (b5)	0B	dd rr	5
								DIR (b6)	0D	dd rr	5
								DIR (b7)	0F	dd rr	5
BRSET <i>n opr rel</i>	Branch if Bit n Set	$PC \leftarrow (PC) + 2 + rel ? Mn = 1$	—	—	—	—	↑	DIR (b0)	00	dd rr	5
								DIR (b1)	02	dd rr	5
								DIR (b2)	04	dd rr	5
								DIR (b3)	06	dd rr	5
								DIR (b4)	08	dd rr	5
								DIR (b5)	0A	dd rr	5
								DIR (b6)	0C	dd rr	5
								DIR (b7)	0E	dd rr	5
BRN <i>rel</i>	Branch Never	$PC \leftarrow (PC) + 2 + rel ? 1 = 0$	—	—	—	—	—	REL	21	rr	3
BSET <i>n opr</i>	Set Bit n	$Mn \leftarrow 1$	—	—	—	—	—	DIR (b0)	10	dd	5
								DIR (b1)	12	dd	5
								DIR (b2)	14	dd	5
								DIR (b3)	16	dd	5
								DIR (b4)	18	dd	5
								DIR (b5)	1A	dd	5
								DIR (b6)	1C	dd	5
								DIR (b7)	1E	dd	5
BSR <i>rel</i>	Branch to Subroutine	$PC \leftarrow (PC) + 2$; push (PCL) $SP \leftarrow (SP) - 1$; push (PCH) $SP \leftarrow (SP) - 1$ $PC \leftarrow (PC) + rel$	—	—	—	—	—	REL	AD	rr	6
CLC	Clear Carry Bit	$C \leftarrow 0$	—	—	—	—	0	INH	98		2
CLI	Clear Interrupt Mask	$I \leftarrow 0$	—	0	—	—	—	INH	9A		2
CLR <i>opr</i> CLRA CLR X CLR <i>opr,X</i> CLR ,X	Clear Byte	$M \leftarrow \$00$	—	—	0	1	—	DIR	3F	dd	5
		$A \leftarrow \$00$						INH	4F		3
		$X \leftarrow \$00$						INH	5F		3
		$M \leftarrow \$00$						IX1	6F	ff	6
		$M \leftarrow \$00$						IX	7F		5
CMP # <i>opr</i> CMP <i>opr</i> CMP <i>opr</i> CMP <i>opr,X</i> CMP <i>opr,X</i> CMP ,X	Compare Accumulator with Memory Byte	$(A) - (M)$	—	—	↑	↓	↑	IMM	A1	ii	2
								DIR	B1	dd	3
								EXT	C1	hh ll	4
								IX2	D1	ee ff	5
								IX1	E1	ff	4
								IX	F1		3

Table 12-6. Instruction Set Summary (Sheet 4 of 7)

Source Form	Operation	Description	Effect on CCR					Address Mode	Opcode	Operand	Cycles
			H	I	N	Z	C				
COM <i>opr</i> COMA COMX COM <i>opr</i> ,X COM ,X	Complement Byte (One's Complement)	$M \leftarrow (\overline{M}) = \$FF - (M)$ $A \leftarrow (\overline{A}) = \$FF - (M)$ $X \leftarrow (\overline{X}) = \$FF - (M)$ $M \leftarrow (\overline{M}) = \$FF - (M)$ $M \leftarrow (\overline{M}) = \$FF - (M)$	—	—	↑	↑	1	DIR INH INH IX1 IX	33 43 53 63 73	dd ff	5 3 3 6 5
CPX # <i>opr</i> CPX <i>opr</i> CPX <i>opr</i> CPX <i>opr</i> ,X CPX <i>opr</i> ,X CPX ,X	Compare Index Register with Memory Byte	(X) - (M)	—	—	↑	↑	1	IMM DIR EXT IX2 IX1 IX	A3 B3 C3 D3 E3 F3	ii dd hh ll ee ff ff	2 3 4 5 4 3
DEC <i>opr</i> DECA DECX DEC <i>opr</i> ,X DEC ,X	Decrement Byte	$M \leftarrow (M) - 1$ $A \leftarrow (A) - 1$ $X \leftarrow (X) - 1$ $M \leftarrow (M) - 1$ $M \leftarrow (M) - 1$	—	—	↑	↑	—	DIR INH INH IX1 IX	3A 4A 5A 6A 7A	dd ff	5 3 3 6 5
EOR # <i>opr</i> EOR <i>opr</i> EOR <i>opr</i> EOR <i>opr</i> ,X EOR <i>opr</i> ,X EOR ,X	EXCLUSIVE OR Accumulator with Memory Byte	$A \leftarrow (A) \oplus (M)$	—	—	↑	↑	—	IMM DIR EXT IX2 IX1 IX	A8 B8 C8 D8 E8 F8	ii dd hh ll ee ff ff	2 3 4 5 4 3
INC <i>opr</i> INCA INCX INC <i>opr</i> ,X INC ,X	Increment Byte	$M \leftarrow (M) + 1$ $A \leftarrow (A) + 1$ $X \leftarrow (X) + 1$ $M \leftarrow (M) + 1$ $M \leftarrow (M) + 1$	—	—	↑	↑	—	DIR INH INH IX1 IX	3C 4C 5C 6C 7C	dd ff	5 3 3 6 5
JMP <i>opr</i> JMP <i>opr</i> JMP <i>opr</i> ,X JMP <i>opr</i> ,X JMP ,X	Unconditional Jump	PC ← Jump Address	—	—	—	—	—	DIR EXT IX2 IX1 IX	BC CC DC EC FC	dd hh ll ee ff ff	2 3 4 3 2
JSR <i>opr</i> JSR <i>opr</i> JSR <i>opr</i> ,X JSR <i>opr</i> ,X JSR ,X	Jump to Subroutine	PC ← (PC) + n (n = 1, 2, or 3) Push (PCL); SP ← (SP) - 1 Push (PCH); SP ← (SP) - 1 PC ← Conditional Address	—	—	—	—	—	DIR EXT IX2 IX1 IX	BD CD DD ED FD	dd hh ll ee ff ff	5 6 7 6 5
LDA # <i>opr</i> LDA <i>opr</i> LDA <i>opr</i> LDA <i>opr</i> ,X LDA <i>opr</i> ,X LDA ,X	Load Accumulator with Memory Byte	$A \leftarrow (M)$	—	—	↑	↑	—	IMM DIR EXT IX2 IX1 IX	A6 B6 C6 D6 E6 F6	ii dd hh ll ee ff ff	2 3 4 5 4 3

Table 12-6. Instruction Set Summary (Sheet 5 of 7)

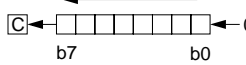
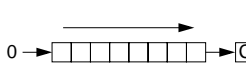

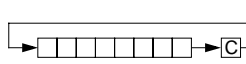
Source Form	Operation	Description	Effect on CCR					Address Mode	Opcode	Operand	Cycles
			H	I	N	Z	C				
LDX #opr LDX opr LDX opr LDX opr,X LDX opr,X LDX ,X	Load Index Register with Memory Byte	$X \leftarrow (M)$	—	—	↑	↑	—	IMM DIR EXT IX2 IX1 IX	AE BE CE DE EE FE	ii dd hh ll ee ff ff	2 3 4 5 4 3
LSL opr LSLA LSLX LSL opr,X LSL ,X	Logical Shift Left (Same as ASL)		—	—	↑	↑	·	DIR INH INH IX1 IX	38 48 58 68 78	dd ff	5 3 3 6 5
LSR opr LSRA LSRX LSR opr,X LSR ,X	Logical Shift Right		—	—	0	↑	↑	DIR INH INH IX1 IX	34 44 54 64 74	dd ff	5 3 3 6 5
MUL	Unsigned Multiply	$X : A \leftarrow (X) \times (A)$	0	—	—	—	0	INH	42		11
NEG opr NEGA NEGX NEG opr,X NEG ,X	Negate Byte (Two's Complement)	$M \leftarrow -(M) = \$00 - (M)$ $A \leftarrow -(A) = \$00 - (A)$ $X \leftarrow -(X) = \$00 - (X)$ $M \leftarrow -(M) = \$00 - (M)$ $M \leftarrow -(M) = \$00 - (M)$	—	—	↑	↑	↑	DIR INH INH IX1 IX	30 40 50 60 70	ii ff	5 3 3 6 5
NOP	No Operation		—	—	—	—	—	INH	9D		2
ORA #opr ORA opr ORA opr ORA opr,X ORA opr,X ORA ,X	Logical OR Accumulator with Memory	$A \leftarrow (A) \vee (M)$	—	—	↑	↑	—	IMM DIR EXT IX2 IX1 IX	AA BA CA DA EA FA	ii dd hh ll ee ff ff	2 3 4 5 4 3
ROL opr ROLA ROLX ROL opr,X ROL ,X	Rotate Byte Left through Carry Bit		—	—	↑	↑	↑	DIR INH INH IX1 IX	39 49 59 69 79	dd ff	5 3 3 6 5
ROR opr RORA RORX ROR opr,X ROR ,X	Rotate Byte Right through Carry Bit		—	—	↑	↑	↑	DIR INH INH IX1 IX	36 46 56 66 76	dd ff	5 3 3 6 5
RSP	Reset Stack Pointer	$SP \leftarrow \$00FF$	—	—	—	—	—	INH	9C		2

Table 12-6. Instruction Set Summary (Sheet 6 of 7)

Source Form	Operation	Description	Effect on CCR					Address Mode	Opcode	Operand	Cycles
			H	I	N	Z	C				
RTI	Return from Interrupt	SP ← (SP) + 1; Pull (CCR) SP ← (SP) + 1; Pull (A) SP ← (SP) + 1; Pull (X) SP ← (SP) + 1; Pull (PCH) SP ← (SP) + 1; Pull (PCL)	↑	↑	↑	↑	↑	INH	80		6
RTS	Return from Subroutine	SP ← (SP) + 1; Pull (PCH) SP ← (SP) + 1; Pull (PCL)						INH			
SBC #opr SBC opr SBC opr SBC opr,X SBC opr,X SBC ,X	Subtract Memory Byte and Carry Bit from Accumulator	A ← (A) – (M) – (C)	—	—	↑	↑	↑	IMM DIR EXT IX2 IX1 IX	A2 B2 C2 D2 E2 F2	ii dd hh ll ee ff ff	2 3 4 5 4 3
SEC	Set Carry Bit	C ← 1	—	—	—	—	1	INH	99		2
SEI	Set Interrupt Mask	I ← 1	—	1	—	—	—	INH	9B		2
STA opr STA opr STA opr,X STA opr,X STA ,X	Store Accumulator in Memory	M ← (A)	—	—	↑	↑	—	DIR EXT IX2 IX1 IX	B7 C7 D7 E7 F7	dd hh ll ee ff ff	4 5 6 5 4
STOP	Stop Oscillator and Enable $\overline{\text{IRQ}}$ Pin		—	0	—	—	—	INH	8E		2
STX opr STX opr STX opr,X STX opr,X STX ,X	Store Index Register In Memory	M ← (X)	—	—	↑	↑	—	DIR EXT IX2 IX1 IX	BF CF DF EF FF	dd hh ll ee ff ff	4 5 6 5 4
SUB #opr SUB opr SUB opr SUB opr,X SUB opr,X SUB ,X	Subtract Memory Byte from Accumulator	A ← (A) – (M)	—	—	↑	↑	↑	IMM DIR EXT IX2 IX1 IX	A0 B0 C0 D0 E0 F0	ii dd hh ll ee ff ff	2 3 4 5 4 3
SWI	Software Interrupt	PC ← (PC) + 1; Push (PCL) SP ← (SP) – 1; Push (PCH) SP ← (SP) – 1; Push (X) SP ← (SP) – 1; Push (A) SP ← (SP) – 1; Push (CCR) SP ← (SP) – 1; I ← 1 PCH ← Interrupt Vector High Byte PCL ← Interrupt Vector Low Byte	—	1	—	—	—	INH	83		10

Table 12-6. Instruction Set Summary (Sheet 7 of 7)

Source Form	Operation	Description	Effect on CCR					Address Mode	Opcode	Operand	Cycles
			H	I	N	Z	C				
TAX	Transfer Accumulator to Index Register	$X \leftarrow (A)$	—	—	—	—	—	INH	97		2
TST <i>opr</i> TSTA TSTX TST <i>opr,X</i> TST ,X	Test Memory Byte for Negative or Zero	$(M) - \$00$	—	—	—	—	—	DIR INH INH IX1 IX	3D 4D 5D 6D 7D	dd ff	4 3 3 5 4
TXA	Transfer Index Register to Accumulator	$A \leftarrow (X)$	—	—	—	—	—	INH	9F		2
WAIT	Stop CPU Clock and Enable Interrupts		—	↕	—	—	—	INH	8F		2

- | | | | |
|-------|---|------------|--------------------------------------|
| A | Accumulator | <i>opr</i> | Operand (one or two bytes) |
| C | Carry/borrow flag | PC | Program counter |
| CCR | Condition code register | PCH | Program counter high byte |
| dd | Direct address of operand | PCL | Program counter low byte |
| dd rr | Direct address of operand and relative offset of branch instruction | REL | Relative addressing mode |
| DIR | Direct addressing mode | <i>rel</i> | Relative program counter offset byte |
| ee ff | High and low bytes of offset in indexed, 16-bit offset addressing | rr | Relative program counter offset byte |
| EXT | Extended addressing mode | SP | Stack pointer |
| ff | Offset byte in indexed, 8-bit offset addressing | X | Index register |
| H | Half-carry flag | Z | Zero flag |
| hh ll | High and low bytes of operand address in extended addressing | # | Immediate value |
| I | Interrupt mask | ^ | Logical AND |
| ii | Immediate operand byte | ∨ | Logical OR |
| IMM | Immediate addressing mode | ⊕ | Logical EXCLUSIVE OR |
| INH | Inherent addressing mode | () | Contents of |
| IX | Indexed, no offset addressing mode | -() | Negation (two's complement) |
| IX1 | Indexed, 8-bit offset addressing mode | ← | Loaded with |
| IX2 | Indexed, 16-bit offset addressing mode | ? | If |
| M | Memory location | : | Concatenated with |
| N | Negative flag | ↕ | Set or cleared |
| n | Any bit | — | Not affected |

12.6 Opcode Map

The opcode map is provided in [Table 12-7](#).

Instruction Set

Table 12-7. Opcode Map

MSB LSB	Bit Manipulation			Read-Modify-Write				Control			Register/Memory					
	DIR	DIR	REL	DIR	INH	INH	IX1	IX	INH	INH	IMM	DIR	EXT	IX2	IX1	IX
0	3	5	2	3	4	5	6	7	8	9	A	B	C	D	E	F
1	3	5	3	5	11				RTS		CMP	CMP	CMP	CMP	CMP	CMP
2	3	5	3		MUL						SBC	SBC	SBC	SBC	SBC	SBC
3	3	5	3	5	COMA	COMX	COM	COM	SWI		CPX	CPX	CPX	CPX	CPX	CPX
4	3	5	3	5	LSRA	LSRX	LSR	LSR			AND	AND	AND	AND	AND	AND
5	3	5	3								BIT	BIT	BIT	BIT	BIT	BIT
6	3	5	3	5	RORA	RORX	ROR	ROR			LDA	LDA	LDA	LDA	LDA	LDA
7	3	5	3	5	ASRA	ASRX	ASR	ASR	TAX		STA	STA	STA	STA	STA	STA
8	3	5	3	5	ASL/LSL	ASL/LSL	ASL/LSL	ASL/LSL	CLC		EOR	EOR	EOR	EOR	EOR	EOR
9	3	5	3	5	ROLA	ROLX	ROL	ROL	SEC		ADC	ADC	ADC	ADC	ADC	ADC
A	3	5	3	5	DECA	DECX	DEC	DEC	CLI		ORA	ORA	ORA	ORA	ORA	ORA
B	3	5	3						SEI		ADD	ADD	ADD	ADD	ADD	ADD
C	3	5	3	5	INCA	INCX	INC	INC	RSP		JMP	JMP	JMP	JMP	JMP	JMP
D	3	5	3	5	TSTA	TSTX	TST	TST	NOP		BSR	BSR	BSR	BSR	BSR	BSR
E	3	5	3						STOP		LDX	LDX	LDX	LDX	LDX	LDX
F	3	5	3	5	CLR _A	CLR _X	CLR	CLR	WAIT	TXA	STX	STX	STX	STX	STX	STX

MSB LSB 0	MSB of Opcode in Hexadecimal 0
INH = Inherent IMM = Immediate DIR = Direct EXT = Extended	REL = Relative IX = Indexed, No Offset IX1 = Indexed, 8-Bit Offset IX2 = Indexed, 16-Bit Offset

Section 13. Electrical Specifications

13.1 Contents

13.2	Introduction	123
13.3	Maximum Ratings	124
13.4	Operating Temperature Range	124
13.5	Thermal Characteristics	125
13.6	Power Considerations	125
13.7	DC Electrical Characteristics	126
13.8	Active Reset Characteristics	127
13.9	A/D Converter Characteristics	127
13.10	SIOP Timing	128
13.11	PD5 Clock Out Timing (PD5 CLKOUT Option Enabled)	129
13.12	Control Timing (MC68HC805P18 and Low-Speed MC68HC05P18)	130
13.13	Control Timing (High-Speed MC68HC05P18 Only)	130

13.2 Introduction

This section contains electrical and timing specifications.

13.3 Maximum Ratings

Maximum ratings are the extreme limits to which the MCU can be exposed without permanently damaging it.

The MCU contains circuitry to protect the inputs against damage from high static voltages; however, do not apply voltages higher than those shown in the table here. Keep V_{In} and V_{Out} within the range $V_{SS} \leq (V_{In} \text{ or } V_{Out}) \leq V_{DD}$. Connect unused inputs to the appropriate voltage level, either V_{SS} or V_{DD} .

Rating	Symbol	Value	Unit
Supply voltage	V_{DD}	-0.3 to +7.0	V
Input voltage	V_{In}	$V_{SS} - 0.3$ to $V_{DD} + 0.3$	V
Factory mode (\overline{IRQ} pin only)	V_{In}	$V_{SS} - 0.3$ to $2 \times V_{DD}$	V
Current drain per pin excluding V_{DD} and V_{SS}	I	25	mA
Storage temperature range	T_{STG}	-65 to +150	°C

Note: Voltages referenced to V_{SS}

NOTE: This device is not guaranteed to operate properly at the maximum ratings. Refer to **13.7 DC Electrical Characteristics** for guaranteed operating conditions.

13.4 Operating Temperature Range

Rating	Symbol	Value	Unit
Operating temperature range MC68HC805P18 (standard) MC68HC805P18 (extended) MC68HC805P18 (automotive)	T_A	T_L to T_H 0 to +70 -40 to +85 -40 to +125	°C

13.5 Thermal Characteristics

Characteristic	Symbol	Value	Unit
Thermal resistance	θ_{JA}	60	°C/W
Plastic		60	
SOIC			

13.6 Power Considerations

The average chip-junction temperature, T_J , in °C, can be obtained from:

$$T_J = T_A + (P_D \times \theta_{JA}) \tag{1}$$

where:

T_A = Ambient temperature, °C

θ_{JA} = Package thermal resistance, junction to ambient, °C/W

$P_D = P_{INT} + P_{I/O}$

$P_{INT} = I_{DD} \times V_{DD}$ watts (chip internal power)

$P_{I/O}$ = Power dissipation on input and output pins (user-determined)

For most applications, $P_{I/O} \ll P_{INT}$ and can be neglected.

The following is an approximate relationship between P_D and T_J (neglecting $P_{I/O}$):

$$P_D = K \div (T_J + 273^\circ\text{C}) \tag{2}$$

Solving equations (1) and (2) for K gives:

$$K = P_D \times (T_A + 273^\circ\text{C}) + \theta_{JA} \times (P_D)^2 \tag{3}$$

where K is a constant pertaining to the particular part. K can be determined from equation (3) by measuring P_D (at equilibrium) for a known T_A . Using this value of K, the values of P_D and T_J can be obtained by solving equations (1) and (2) iteratively for any value of T_A .

Electrical Specifications

13.7 DC Electrical Characteristics

Characteristic ⁽¹⁾	Symbol	Min	Max	Unit
Output voltage $I_{Load} = 10.0 \mu A$	V_{OL} V_{OH}	— $V_{DD} - 0.1$	0.1 —	V
Output high voltage $I_{Load} = -0.8 \text{ mA}$: PA0–PA7, PB5–PB7, PC2–PC7, PD5/CKOUT $I_{Load} = -5 \text{ mA}$: PC0, PC1	V_{OH}	$V_{DD} - 0.8$	—	V
Output low voltage $I_{Load} = 1.6 \text{ mA}$: PA0–PA7, PB5–PB7, PC2–PC7, PD5/CKOUT $I_{Load} = 10 \text{ mA}$: PC0, PC1	V_{OL}	—	0.4	V
Input high voltage PA0–PA7, PB5–PB7, PC0–PC7, PD5/CKOUT, TCAP/PD7, \overline{IRQ} , \overline{RESET} , OSC1	V_{IH}	$0.7 \times V_{DD}$	V_{DD}	V
Input low voltage PA0–PA7, PB5–PB7, PC0–PC7, PD5, TCAP/PD7, \overline{IRQ} , \overline{RESET} , OSC1	V_{IL}	V_{SS}	$0.2 \times V_{DD}$	V
Supply current ^{(2) (3) (4) (5) (6) (7)} Low frequency (2-MHz bus) Run Wait (A2D on) Wait (A2D off) High frequency (4-MHz bus) MC68HC05P18 only Run Wait (A2D on) Wait (A2D off) Stop (-40°C to $+132^\circ\text{C}$) Stop LVR disabled Stop LVR enabled	I_{DD}	— — — — — — — — — —	4 3.5 2.5 6 4.5 3.5 50 200	mA mA mA mA mA mA μA μA
I/O ports hi-z leakage current PA0–PA7, PB5–PB7, PC0–PC7, PD5/CKOUT, TCAP/PD7	I_{IL}	—	± 10	μA
I/O ports switch resistance (pullup enabled PA0–PA7)	R_{PTA}	7	30	k
A/D ports hi-z leakage current PC3–PC7	I_{IL}	—	± 1	μA
Input current \overline{RESET} , \overline{IRQ} , OSC1	I_{IN}	—	± 1	μA
Capacitance Ports (as input or output) \overline{RESET} , \overline{IRQ}	C_{Out} C_{In}	— —	12 8	pF
EEPROM program/erase time (128 byte array) Byte Block (erase only) Bulk (erase only)	—	— — —	5 15 50	ms
Low-voltage reset voltage	—	3.5	4.3	V

- $V_{DD} = 5.0 \text{ Vdc} \pm 10\%$, $V_{SS} = 0 \text{ Vdc}$, $T_A = -40^\circ\text{C}$ to $+125^\circ\text{C}$, all values shown reflect average measurements.
- Run (operating) I_{DD} , wait I_{DD} : Measured using external square wave clock source ($f_{osc} = 4.2 \text{ MHz}$), all inputs 0.2 V from rail; no dc loads, less than 50 pF on all outputs, $C_L = 20 \text{ pF}$ on OSC2
- Wait I_{DD} with active systems: timer, SIOP, and A/D. Wait I_{DD} is affected linearly by the OSC2 capacitance.
- Wait, stop I_{DD} : All ports configured as inputs, $V_{IL} = 0.2 \text{ V}$, $V_{IH} = V_{DD} - 0.2 \text{ V}$
- Stop I_{DD} measured with OSC1 = V_{SS} . Stop I_{DD} maximum values given with LVR option enabled.
- Run and wait I_{DD} limit values are with no load on PD5 clock out, when PD5 is enabled.
- Run and wait I_{DD} values are for both PD5 enabled and disabled and LVR enabled and disabled.

13.8 Active Reset Characteristics

Rise Time ⁽¹⁾	Fall Time	Pulse Width	C _{Load}	Pullup
0.5 μs	13 ns	2.4 μs	50 pF	10 K
1.0 μs	20 ns	2.7 μs	100 pF	10 K
2.5 μs	20 ns	2.7 μs	250 pF	10 K

1. V_{DD} = 4.5 Vdc, V_{SS} = 0 Vdc, T_A = 125°C

13.9 A/D Converter Characteristics

Characteristic ⁽¹⁾	Min	Max	Unit	Comments
Resolution	8	8	Bits	
Absolute accuracy (V _{DD} ≥ V _{REFH} > 4.5)	—	± 1 1/2	LSB	Including quantization
Conversion range, V _{REFH}	V _{SS} V _{SS}	V _{REFH} V _{DD}	V	A/D accuracy may decrease proportionately as V _{REFH} is reduced below 4.5
Input leakage AD0, AD1, AD2, AD3 V _{REFH}	— —	± 1 ± 1	μA	
Conversion time (includes sampling time)	32	32	t _{AD} ⁽²⁾	
Monotonicity	Inherent (within total error)			
Zero input reading	00 00	01 03	Hex	V _{In} = 0 V (external) V _{In} = 0 V (internal)
Full-scale reading	FE	FF	Hex	V _{In} = V _{REFH}
Sample time	12	12	t _{AD} *	
Input capacitance	—	12	pF	
Analog input voltage	V _{SS}	V _{REFH}	V	

1. V_{DD} = 4.5 Vdc ± 10%, V_{SS} = 0 Vdc, T_A = -40°C to +125°C, unless otherwise noted

2. t_{AD} = t_{CYC} if clock source equals MCU

Electrical Specifications

13.10 SIOP Timing

Number	Characteristic ⁽¹⁾	Symbol	Min	Max	Unit
	Operating frequency ⁽²⁾ Master Slave	$f_{SIOP(M)}$ $f_{SIOP(S)}$	1 dc	1 1	f_{OP}
1	Cycle time Master Slave	$t_{SCK(M)}$ $t_{SCK(S)}$	1 —	1 1	t_{CYC}
2	SCK low time ⁽³⁾	t_{CYC}	238	—	ns
3	SDO data valid time	t	—	200	ns
4	SDO hold time	t_{HO}	0	—	ns
5	SDI setup time	t_S	100	—	ns
6	SDI hold time	t_H	100	—	ns

- $V_{DD} = 4.5 \text{ Vdc} \pm 10\%$, $V_{SS} = 0 \text{ Vdc}$, $T_A = -40^\circ\text{C}$ to $+125^\circ\text{C}$, unless otherwise noted
- $f_{OP} = f_{OSC} \div 2$; $t_{CYC} = 1 \div f_{OP}$
- In master mode, the SCK rate is determined by the programmable option in MOR1.

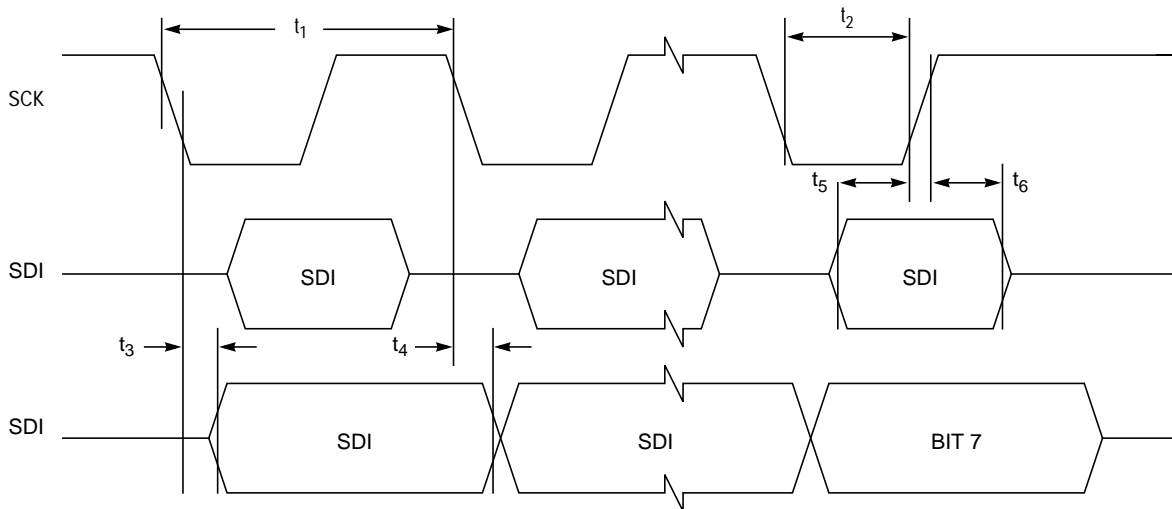


Figure 13-1. SIOP Timing Diagram

13.11 PD5 Clock Out Timing (PD5 CLKOUT Option Enabled)

Characteristic	Symbol ⁽¹⁾	Min	Max	Unit
Cycle time	1 ⁽¹⁾	t_{CYC}	—	ns
Rise time	4 ⁽¹⁾	3.5	12	ns
Fall time	5 ⁽¹⁾	7.5	27.5	ns
Pulse width	2 and 3 ⁽¹⁾	t_{OH}, t_{OL}	—	ns

1. The numbers shown in the symbol column correspond to those shown in [Figure 13-2](#).

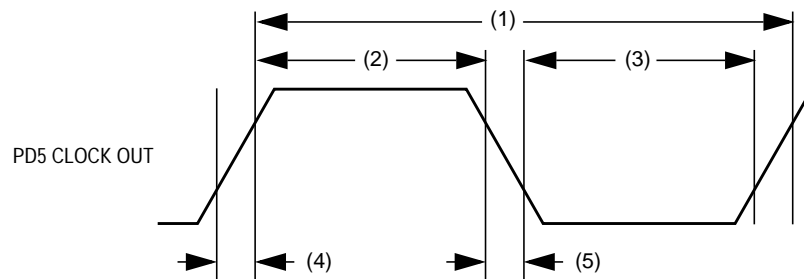


Figure 13-2. PD5 Clock Out Timing

NOTE: All timing is shown with respect to 20% and 70% V_{DD} . Maximum rise and fall times assume 44% duty cycle. Minimum rise and fall times assume 55% duty cycle.

Electrical Specifications

13.12 Control Timing (MC68HC805P18 and Low-Speed MC68HC05P18)

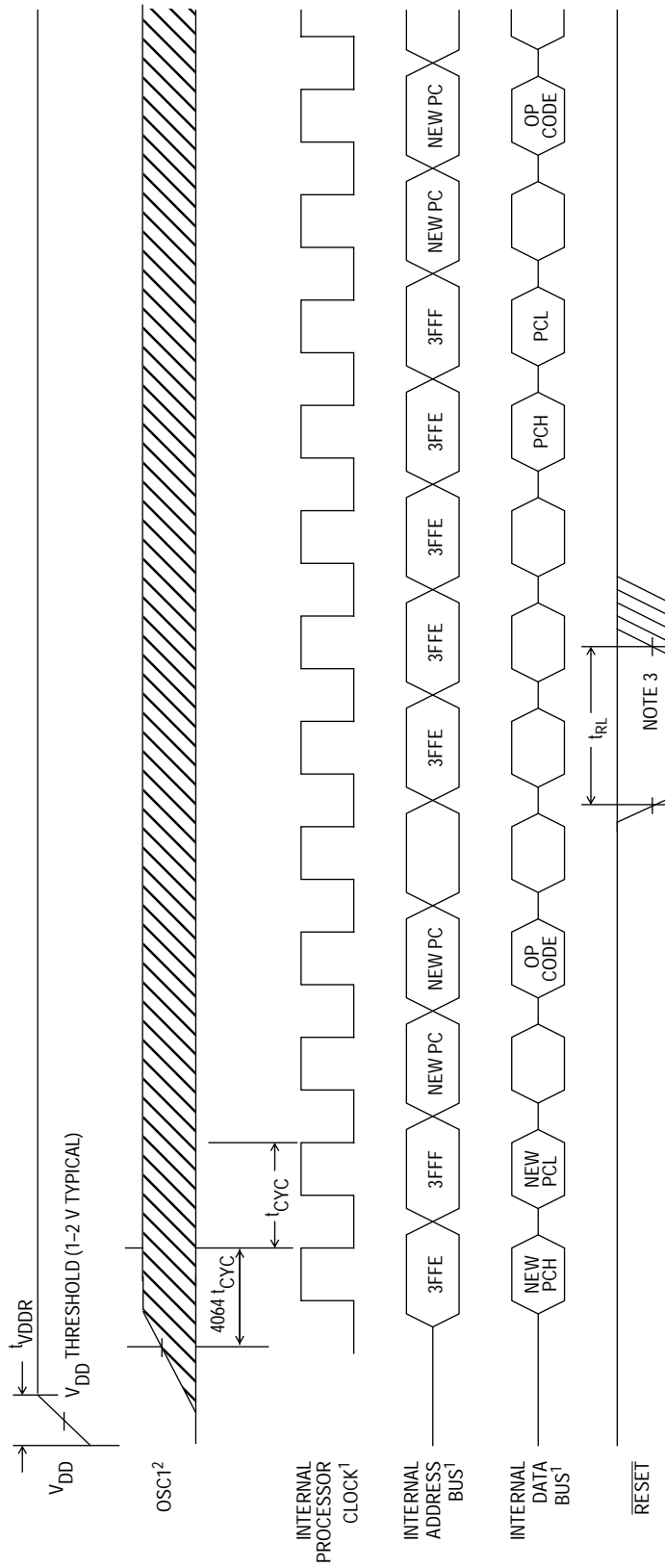
Characteristic ⁽¹⁾	Symbol	Min	Max	Unit
Frequency of operation Crystal option External clock option	f _{OSC}	— dc	4.2 4.2	MHz
Internal operating frequency Crystal (f _{OSC} ÷ 2) External clock (f _{OSC} ÷ 2)	f _{OP}	— dc	2.1 2.1	MHz
Cycle time	t _{CYC}	476	—	ns
Crystal oscillator startup time	t _{OXOV}	—	100	ms
Stop recovery startup time (crystal oscillator)	t _{ILCH}	—	100	ms
RESET pulse width	t _{RL}	1.5	—	t _{CYC}
Interrupt pulse width low (edge-triggered)	t _{ILIH}	125	—	ns
Interrupt pulse period	t _{ILIL}	(2)	—	t _{CYC}
OSC1 pulse width	t _{OH} , t _{OL}	200	—	ns
A/D on current stabilization time	t _{ADON}	—	100	μs
RC oscillator stabilization time (A/D)	t _{RCON}	—	5.0	μs

- V_{DD} = 5.0 Vdc ± 10%, V_{SS} = 0 Vdc, T_A = -40°C to +125°C, unless otherwise noted
- The minimum period t_{ILIL} should not be less than the number of cycles it takes to execute the interrupt service routine plus 21 t_{CYC}.

13.13 Control Timing (High-Speed MC68HC05P18 Only)

Characteristic ⁽¹⁾	Symbol	Min	Max	Unit
Frequency of operation Crystal option External clock option	f _{OSC}	— dc	4.2 8.4	MHz
Internal operating frequency Crystal (f _{OSC} ÷ 2) External clock (f _{OSC} ÷ 2)	f _{OP}	— dc	2.1 4.2	MHz
Cycle time	t _{CYC}	238	—	ns
Crystal oscillator startup time	t _{OXOV}	—	100	ms
Stop recovery startup time (crystal oscillator)	t _{ILCH}	—	100	ms
RESET pulse width	t _{RL}	1.5	—	t _{CYC}
Interrupt pulse width low (edge-triggered)	t _{ILIH}	125	—	ns
Interrupt pulse period	t _{ILIL}	(2)	—	t _{CYC}
OSC1 pulse width	t _{OH} , t _{OL}	100	—	ns
A/D on current stabilization time	t _{ADON}	—	100	μs
RC oscillator stabilization time (A/D)	t _{RCON}	—	5.0	μs

- V_{DD} = 5.0 Vdc ± 10%, V_{SS} = 0 Vdc, T_A = -40°C to +125°C, unless otherwise noted
- The minimum period t_{ILIL} should not be less than the number of cycles it takes to execute the interrupt service routine plus 21 t_{CYC}.



Notes:

1. Internal timing signal and bus information not available externally.
2. OSC1 line is not meant to represent frequency. It is only used to represent time.
3. The next rising edge of the PH2 clock following the rising edge of RESET initiates the reset sequence.

Figure 13-3. Power-On Reset and External Reset Timing Diagram

Section 14. Mechanical Specifications

14.1 Contents

14.2	Introduction	133
14.3	28-Pin Dual In-Line Package (Case #710)	134
14.4	28-Pin Small Outline Package (Case #751F)	134

14.2 Introduction

This section provides package dimension drawings for the 28-pin dual in-line (DIP) or 28-pin small outline (SOIC) packages.

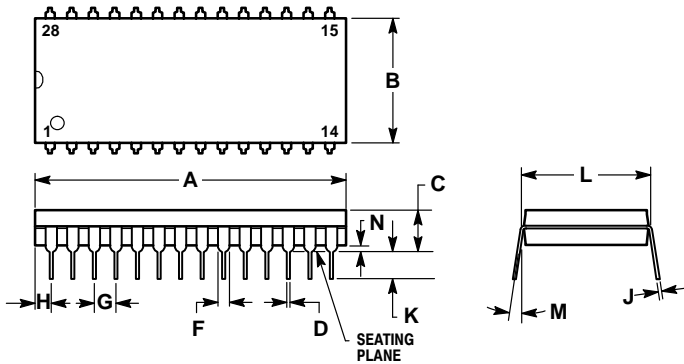
To make sure that you have the latest case outline specifications, contact one of the following:

- Local Motorola Sales Office
- Motorola Mfax
 - Phone 602-244-6609
 - EMAIL rmfax0@email.sps.mot.com
- Worldwide Web (wwweb) at <http://design-net.com>

Follow Mfax or wwweb on-line instructions to retrieve the current mechanical specifications.

Mechanical Specifications

14.3 28-Pin Dual In-Line Package (Case #710)

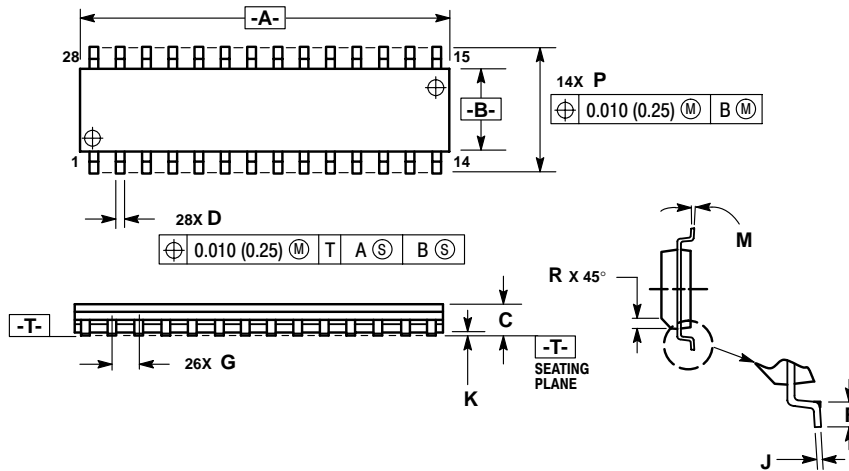


NOTES:

1. POSITIONAL TOLERANCE OF LEADS (D), SHALL BE WITHIN 0.25mm (0.010) AT MAXIMUM MATERIAL CONDITION, IN RELATION TO SEATING PLANE AND EACH OTHER.
2. DIMENSION L TO CENTER OF LEADS WHEN FORMED PARALLEL.
3. DIMENSION B DOES NOT INCLUDE MOLD FLASH.

DIM	MILLIMETERS		INCHES	
	MIN	MAX	MIN	MAX
A	36.45	37.21	1.435	1.465
B	13.72	14.22	0.540	0.560
C	3.94	5.08	0.155	0.200
D	0.36	0.56	0.014	0.022
F	1.02	1.52	0.040	0.060
G	2.54 BSC		0.100 BSC	
H	1.65	2.16	0.065	0.085
J	0.20	0.38	0.008	0.015
K	2.92	3.43	0.115	0.135
L	15.24 BSC		0.600 BSC	
M	0° 15°		0° 15°	
N	0.51	1.02	0.020	0.040

14.4 28-Pin Small Outline Package (Case #751F)



NOTES:

1. DIMENSIONING AND TOLERANCING PER ANSI Y14.5M, 1982.
2. CONTROLLING DIMENSION: MILLIMETER.
3. DIMENSION A AND B DO NOT INCLUDE MOLD PROTRUSION.
4. MAXIMUM MOLD PROTRUSION 0.15 (0.006) PER SIDE.
5. DIMENSION D DOES NOT INCLUDE DAMBAR PROTRUSION. ALLOWABLE DAMBAR PROTRUSION SHALL BE 0.13 (0.005) TOTAL IN EXCESS OF D DIMENSION AT MAXIMUM MATERIAL CONDITION.

DIM	MILLIMETERS		INCHES	
	MIN	MAX	MIN	MAX
A	17.80	18.05	0.701	0.711
B	7.40	7.60	0.292	0.299
C	2.35	2.65	0.093	0.104
D	0.35	0.49	0.014	0.019
F	0.41	0.90	0.016	0.035
G	1.27 BSC		0.050 BSC	
J	0.23	0.32	0.009	0.013
K	0.13	0.29	0.005	0.011
M	0° 8°		0° 8°	
P	10.05	10.55	0.395	0.415
R	0.25	0.75	0.010	0.029

Section 15. Ordering Information

15.1 Contents

15.2	Introduction	135
15.3	MC Order Numbers	135

15.2 Introduction

This section contains instructions for ordering the MC68HC05P18 and the MC68HC805P18.

15.3 MC Order Numbers

Table 15-1 shows the MC order numbers for the available package types.

Table 15-1. MC Order Numbers

MC Order Number ⁽¹⁾	Operating Temperature Range
MC68HC805P18P (standard)	0°C to 70°C
MC68HC805P18DW (standard)	0°C to 70°C
MC68HC805P18CP (extended)	-40°C to +85°C
MC68HC805P18CDW (extended)	-40°C to +85°C
MC68HC805P18MP (automotive)	-40°C to +125°C
MC68HC805P18MDW (automotive)	-40°C to +125°C

1. P = Plastic dual in-line package
 DW = Small outline (wide body) package

Appendix A. Emulation

A.1 Contents

A.2	Introduction	137
A.3	Functional Differences	137
A.4	Mask Option Registers	141

A.2 Introduction

This appendix discusses the functional differences between the P-series devices. The MC68HC805P18 can be used to emulate these devices:

MC68HC05P1A	MC68HC05P7
MC68HC05P2	MC68HC05P7A
MC68HC05P3	MC68HC05P8
MC68HC05P4	MC68HC05P9
MC68HC05P4A	MC68HC705P9
MC68HC05P6	MC68HC05P10
MC68HC705P6	MC68HC05P18

A.3 Functional Differences

The functional differences will be summarized in:

- [Table A-1. Elements of Memory](#)
- [Table A-2. Memory Breakdown by Types](#)
- [Table A-3. P-Series Features](#)
- [Table A-4. Mask Options](#)

Table A-1. Elements of Memory

Device	RAM	User ROM	EPROM	EEPROM	User EEPROM	ROM Security
P1A	128 b 0080-00FF	R 2320 b 0020-004F 0100-08FF*	N	N	N	N
P2	96 b 00A0-00FF	R 3088 b 0020-004F 1300-1EFF	N	N	N	N
P3	128 b 0080-00FF	R 3072 b 0020-004F 0300-0EFF	N	128 b 0100-017F	N	N
705P3	128 b 0080-00FF	N	3072 b 0020-004F 0300-0EFF	128 b 0100-017F	N	N
P4/P4A	176 b 0050-00FF	R 4160 b 0020-004F 0100-10FF	N	N	N	N/Y
P6	176 b 0050-00FF	R 4672 b 0020-004F 0100-10FF*	N	N	N	N
705P6	176 b 0050-00FF	N	4672 b 0020-004F 0100-12FF*	N	N	N
P7/P7A	128 b 0080-00FF	R 2112 b 0020-004F 0100-08FF*	N	N	N	N/Y
P8	112 b 0090-00FF	R 2064 b 1680-1E7F	N	32 b 0030-004F	N	N
P9/P9A	128 b 0080-00FF	R 2112 b 0020-004F 0100-08FF	N	N	N	N/Y
705P9	128 b 0080-00FF	N	2112 b 0020-004F 0100-08FF*	N	N	N
P10	128 b 0080-00FF	R 4160 b 0020-004F 0100-10FF	N	N	N	N
P18	192 b 0050-010F	R 8064 b 0020-004F 1FC0-3EFF	N	128 b 0140-01BF	N	N
805P18	192 b 0050-010F	N	N	128 b 0140-01BF	8064 b 0020-004F 1FC0-3EFF	Y

Table A-2. Memory Breakdown by Types

Range	P1A	P2	P3/ 705P3	P4/ P4A	P6	705 P6	P7/ P7A	P8	P9/ 705P9	P10	P18	805 P18
0020–004F	ROM	ROM	ROM/E	ROM	ROM	ROM	ROM		ROM/E	ROM	ROM	UEE
0030–004F								EE				
0050–007F				RAM	RAM	RAM					RAM	RAM
0080–008F	RAM		RAM	RAM	RAM	RAM	RAM		RAM	RAM	RAM	RAM
0090–009F	RAM		RAM	RAM	RAM	RAM	RAM	RAM	RAM	RAM	RAM	RAM
00A0–00FF	RAM	RAM	RAM	RAM	RAM	RAM	RAM	RAM	RAM	RAM	RAM	RAM
0100–010F	ROM		EE	ROM	ROM	E	ROM		ROME	ROM	RAM	RAM
0110–013F	ROM		EE	ROM	ROM	E	ROM		ROME	ROM		
0140–017F	ROM		EE	ROM	ROM	E	ROM		ROME	ROM	EE	EE
0180–01BF	ROM			ROM	ROM	E	ROM		ROME	ROM	EE	EE
01C0–02D1	ROM			ROM	ROM	E	ROM		ROME	ROM		ROM
02D2–02FF	ROM			ROM	ROM	E	ROM		ROME	ROM		
0300–08FF	ROM		ROME	ROM	ROM	E	ROM		ROME	ROM		
0900–0EFF			ROME	RON	ROM	E				ROM		
0F00–0FEF			ROM	ROM	ROM	E				ROM		
0FF0–10FF				ROM	ROM	E				ROM		
1100–12FF					ROM	E						
1300–167F		ROM										
1680–1EFF		ROM						ROM				
1F00		ROM		ROM			ROM	ROM	ROM	ROM		
1F01–1FBF		ROM		ROM	ROM	ROM	ROM	ROM	ROM	ROM		
1FC0–1FEF		ROM		ROM	ROM	ROM	ROM	ROM	ROM	ROM	ROM	UEE
1FF0–3EFF											ROM	UEE
3F00–3F01												UEE
3F02–3FEF												ROM

NOTE: I/O registers are common to all parts so they are not included in the table. There are an additional 16 bytes of user vectors in the memory map for each device.

E = EPROM EE = EEPROM PEE = User EEPROM

Table A-3. P-Series Features

Devices	Mask Option	MOR	A/D	LVR	High Current
P1A	Y	N	N	N	Y
P2	Y	N	N	N	N
P3/705P3	Y/N	N/Y	N	N	N
P4/P4A	Y	N	N	N	N/Y
P6/705P6	Y/N	N/Y	Y	N	N
P7/P7A	Y	N	N	N	N/Y
P8	Y	N	Y	N	N
P9/705P9/P9A	Y/N/Y	N/Y/N	Y	N	N/N/Y
P10	Y	N	N	N	N
P18/805P18	Y/N	N/Y	Y	Y	Y

Table A-4. Mask Options

Devices	XTAL/RC	SIOP Clock Rate	SIOP MSB/LSB	Port A PU/INT	STOP to HALT
P1A	Y	N	N	Y	Y
P2	Y	N	N	N	N
P3	N	N	N	N	N
P4/P4A	Y	N	Y	N/Y	N/Y
P6	Y	Y	Y	N	Y
P7/P7A	Y	N	Y	N/Y	N/Y
P8	N	N	N	N	N
P9/P9A	N	N	Y	N/Y	N/Y
P10	Y	N	Y	Y	N
P18	N	Y ⁽¹⁾	Y	Y	Y

1. The MC68HC05P18 and MC68HC805P18 have selectable clock rates that are four times as fast as the MC68HC05P6 selectable rates.

A.4 Mask Option Registers

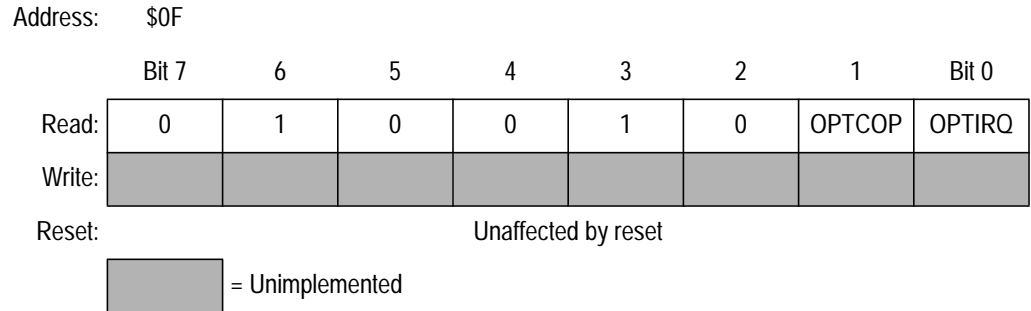


Figure A-1. MC68HC705P3 Mask Option Register

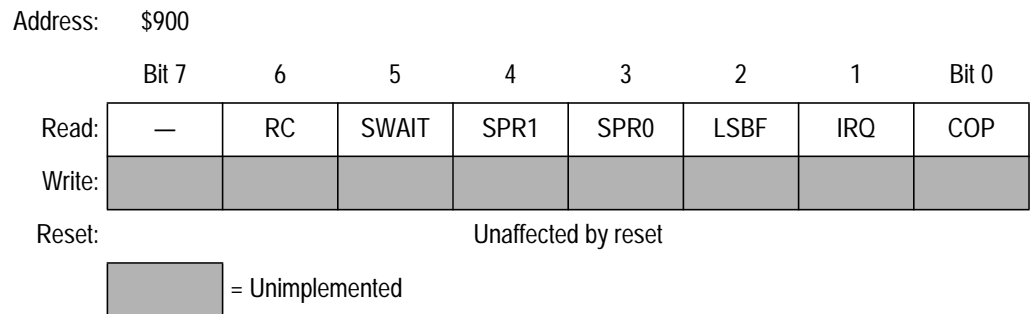


Figure A-2. MC68HC705P6 Mask Option Register

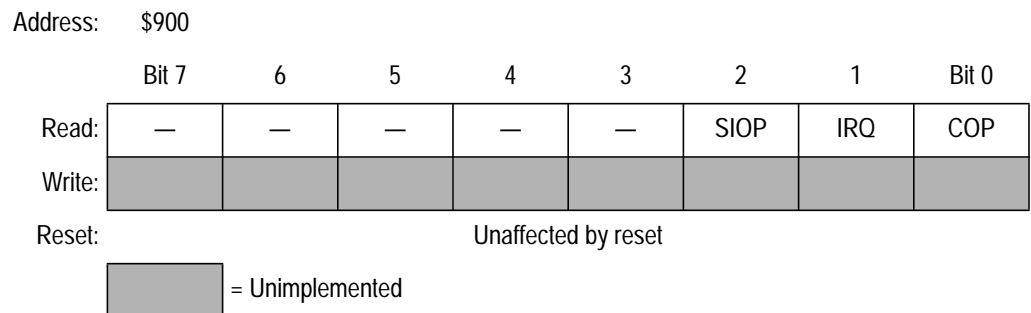


Figure A-3. MC68HC705P9 Mask Option Register

Address: \$3F00

	Bit 7	6	5	4	3	2	1	Bit 0
Read:	CLKOUT	LVRE	SWAIT	SPR1	SPR0	LSBF	LEVIRQ	COPEN
Write:								
Reset:	Unaffected by reset							


 = Unimplemented

Figure A-4. MC68HC805P8 Mask Option Register 1

Address: \$3F01

	Bit 7	6	5	4	3	2	1	Bit 0
Read:	PA7PU	PA6PU	PA5PU	PA4PU	PA3PU	PA2PU	PA1PU	PA0PU
Write:								
Reset:	Unaffected by reset							


 = Unimplemented

Figure A-5. MC68HC805P8 Mask Option Register 2

Home Page:

www.freescale.com

email:

support@freescale.com

USA/Europe or Locations Not Listed:

Freescale Semiconductor
Technical Information Center, CH370
1300 N. Alma School Road
Chandler, Arizona 85224
(800) 521-6274
480-768-2130

support@freescale.com

Europe, Middle East, and Africa:

Freescale Halbleiter Deutschland GmbH
Technical Information Center
Schatzbogen 7
81829 Muenchen, Germany
+44 1296 380 456 (English)
+46 8 52200080 (English)
+49 89 92103 559 (German)
+33 1 69 35 48 48 (French)
support@freescale.com

Japan:

Freescale Semiconductor Japan Ltd.
Headquarters
ARCO Tower 15F
1-8-1, Shimo-Meguro, Meguro-ku
Tokyo 153-0064, Japan
0120 191014
+81 2666 8080
support.japan@freescale.com

Asia/Pacific:

Freescale Semiconductor Hong Kong Ltd.
Technical Information Center
2 Dai King Street
Tai Po Industrial Estate,
Tai Po, N.T., Hong Kong
+800 2666 8080
support.asia@freescale.com

For Literature Requests Only:

Freescale Semiconductor
Literature Distribution Center
P.O. Box 5405
Denver, Colorado 80217
(800) 441-2447
303-675-2140
Fax: 303-675-2150
LDCForFreescaleSemiconductor@hibbertgroup.com

RoHS-compliant and/or Pb- free versions of Freescale products have the functionality and electrical characteristics of their non-RoHS-compliant and/or non-Pb- free counterparts. For further information, see <http://www.freescale.com> or contact your Freescale sales representative.

For information on Freescale's Environmental Products program, go to <http://www.freescale.com/epp>.

Information in this document is provided solely to enable system and software implementers to use Freescale Semiconductor products. There are no express or implied copyright licenses granted hereunder to design or fabricate any integrated circuits or integrated circuits based on the information in this document. Freescale Semiconductor reserves the right to make changes without further notice to any products herein. Freescale Semiconductor makes no warranty, representation or guarantee regarding the suitability of its products for any particular purpose, nor does Freescale Semiconductor assume any liability arising out of the application or use of any product or circuit, and specifically disclaims any and all liability, including without limitation consequential or incidental damages. "Typical" parameters which may be provided in Freescale Semiconductor data sheets and/or specifications can and do vary in different applications and actual performance may vary over time. All operating parameters, including "Typicals" must be validated for each customer application by customer's technical experts. Freescale Semiconductor does not convey any license under its patent rights nor the rights of others. Freescale Semiconductor products are not designed, intended, or authorized for use as components in systems intended for surgical implant into the body, or other applications intended to support or sustain life, or for any other application in which the failure of the Freescale Semiconductor product could create a situation where personal injury or death may occur. Should Buyer purchase or use Freescale Semiconductor products for any such unintended or unauthorized application, Buyer shall indemnify and hold Freescale Semiconductor and its officers, employees, subsidiaries, affiliates, and distributors harmless against all claims, costs, damages, and expenses, and reasonable attorney fees arising out of, directly or indirectly, any claim of personal injury or death associated with such unintended or unauthorized use, even if such claim alleges that Freescale Semiconductor was negligent regarding the design or manufacture of the part.

