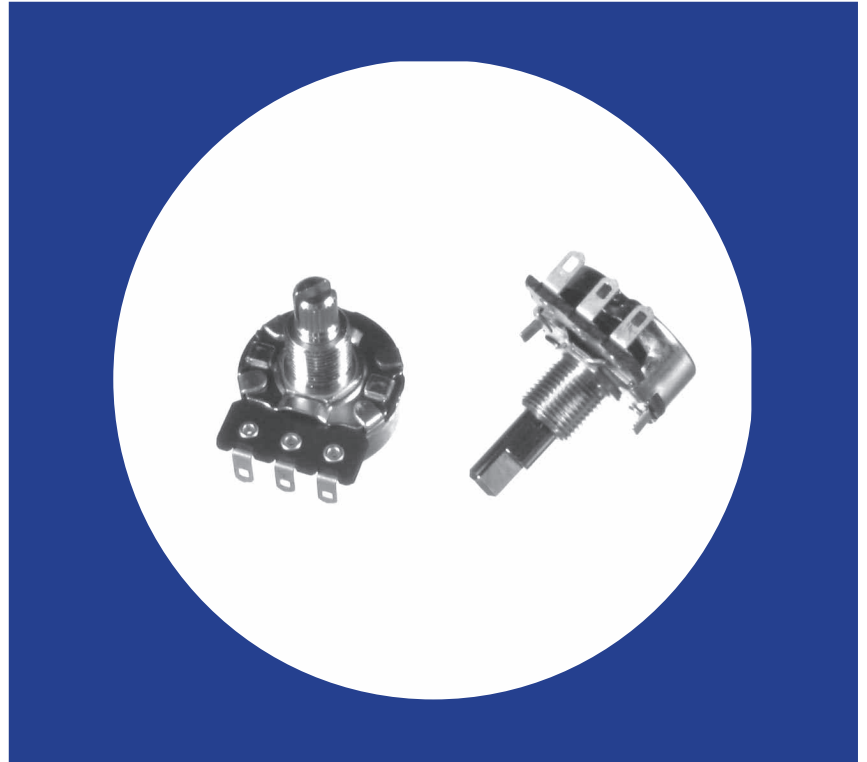


### Commercial 24mm Diameter Composition Element Long Life Variable Resistor

#### Features

- Low noise
- Long life 1 million cycles
- Joystick applications
- Wide resistance range
- RoHS compliant



### Electrical and Mechanical Specifications

#### Resistance Range

Linear taper: 10K ohms through 1 megohms  
Consult CTS for audio taper

#### Resistance Tolerance

Standard:  $\pm 30\%$   
Special:  $\pm 20\%$ , 10%

#### Power Rating

Under 100K ohms = 1/3 watt @ 55°C  
Above 100K ohms = 1/4 watt @ 55°C  
Joystick applications = 1/6 watt @ 55°C

#### Insulation Resistance

100 megohms minimum @ 100 VDC

#### Operating Temperature

-10°C to +85°C

#### Total Rotational Angle

Mechanical angle:  $300^\circ \pm 5^\circ$   
Effective angle:  $30^\circ$  to  $290^\circ$

#### Linearity

Standard: 5%  
Special: Consult CTS for better linearity

#### Rotational Torque

14~144 gf-cm (0.2~2.0 in-oz)

#### Rotational Life

1,000,000 cycles

#### Shaft Information

Available for round, flatted, knurled, or slot metal shaft  
Diameter: 6.35mm (.250")  
Consult CTS for custom-made metal and economic plastic shaft

#### Mounting Information

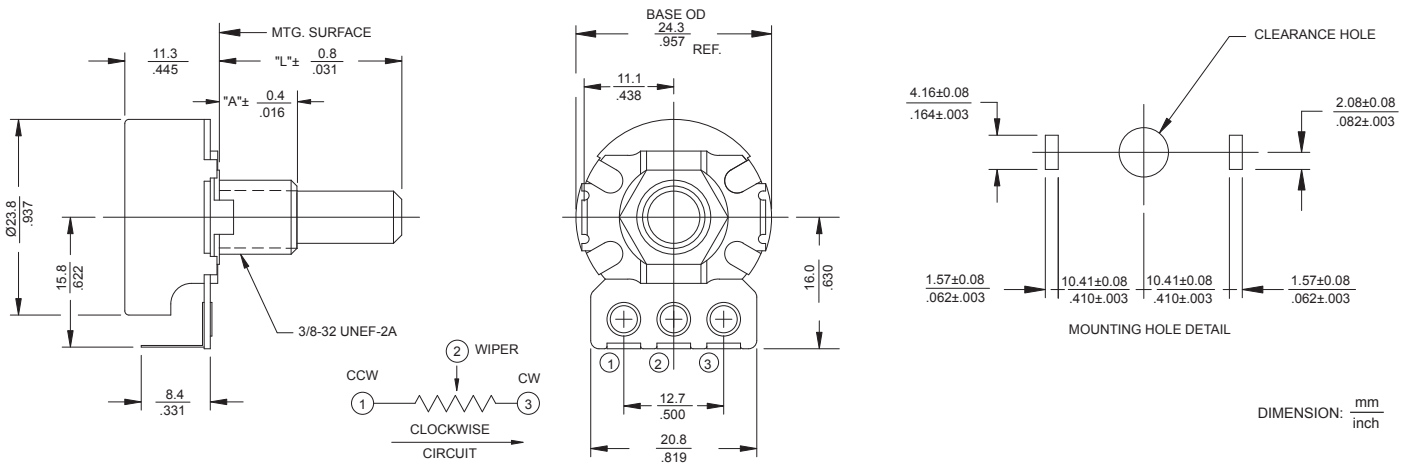
##### Bushing Mount

Diameter: EIA standard 3/8-32 UNEF-2A thread  
Standard length: 9.53mm (.375") or 6.35mm (.250")  
Consult CTS for custom-made metal and economic plastic bushing

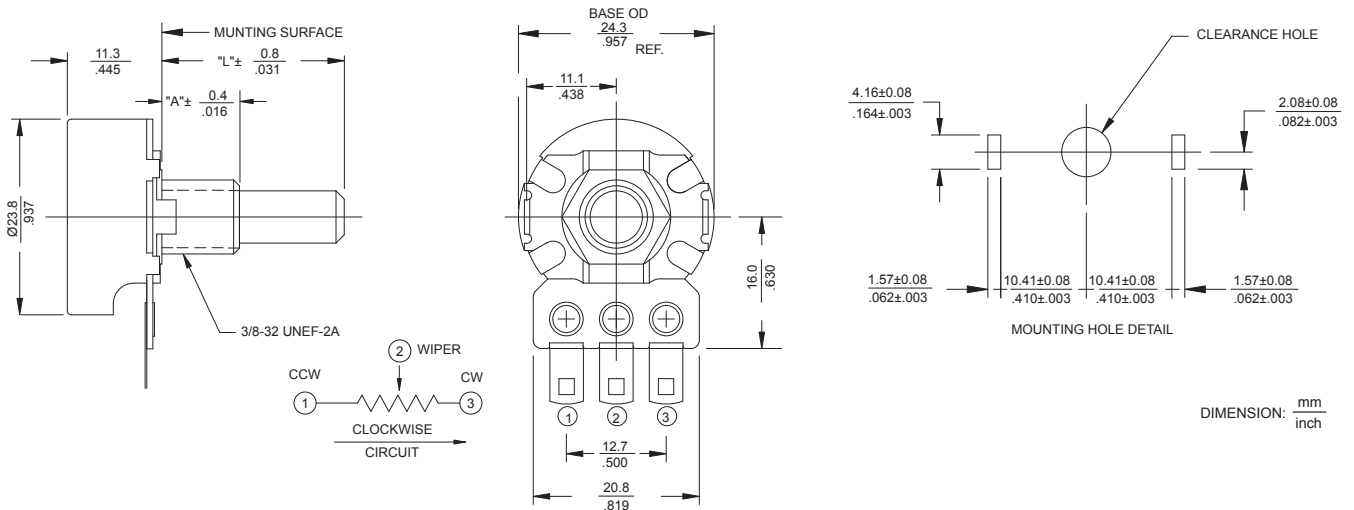
#### Locating Lugs

Standard: Two lugs  
Available: No lug, or one lug (left or right) with terminals facing inward

## T295 Metal Shaft, Bushing Mounting, Type "T" Solder Lug Terminals



## S295 Metal Shaft, Bushing Mounting, Faston Type "S" Formed Terminals



## Ordering Information

