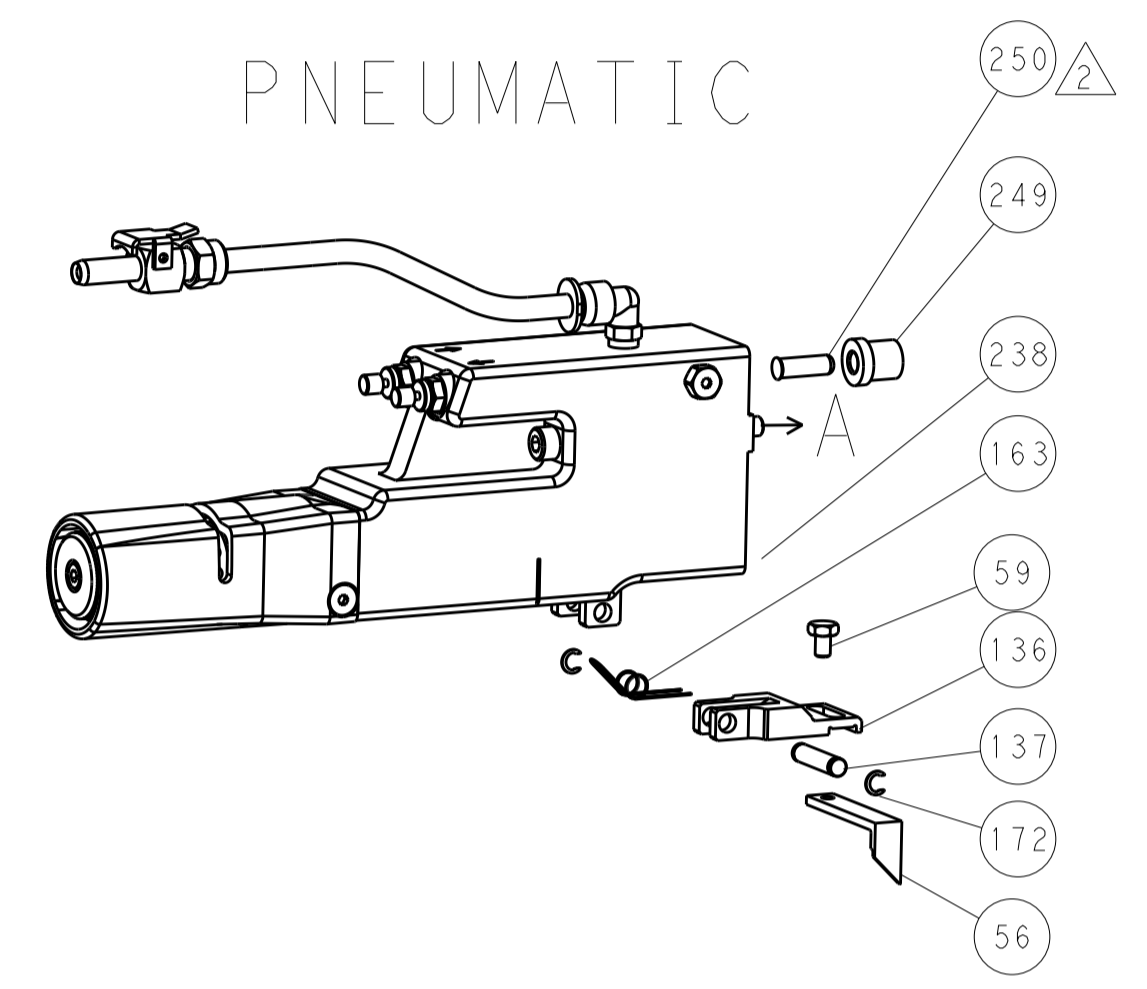


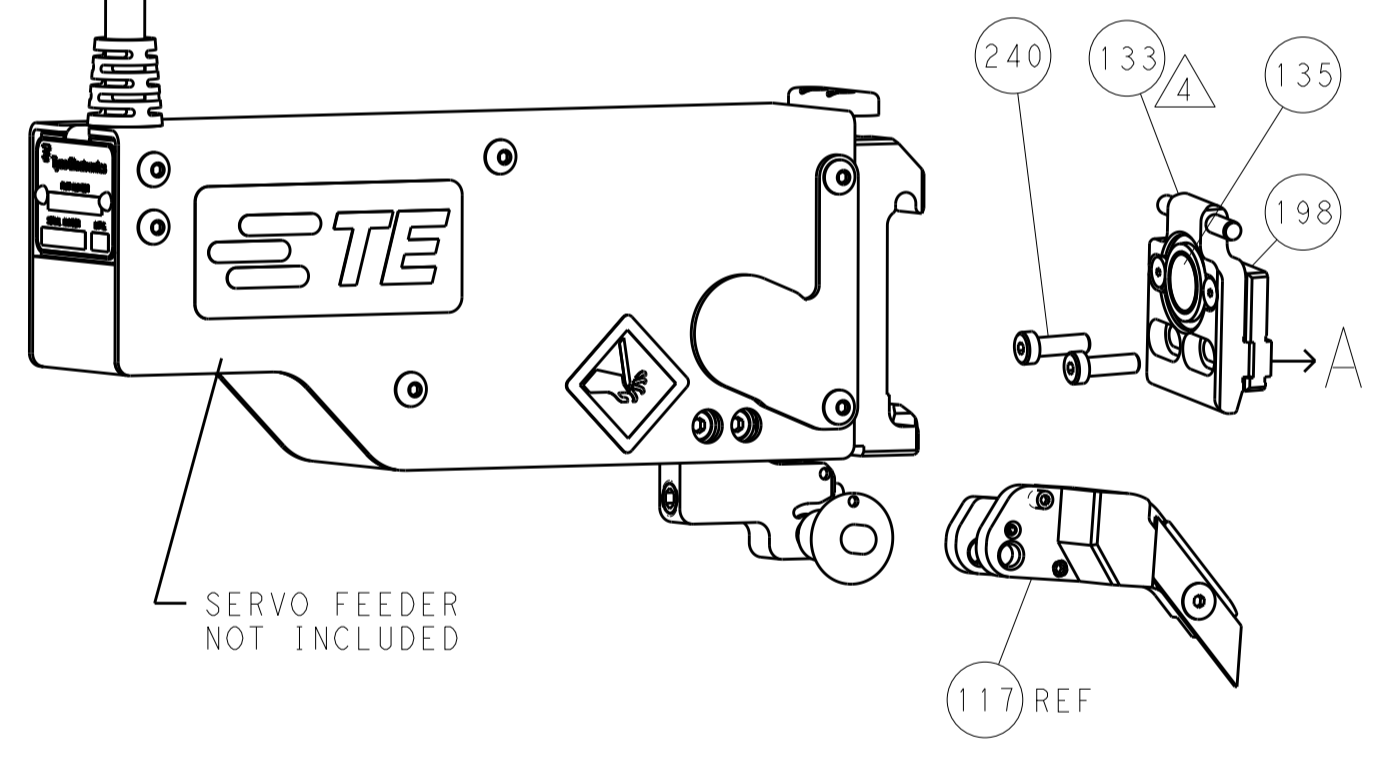
LOC		DIST		REVISONS			
A	66	P	LTH	DESCRIPTION	DATE	OWN	APVD
		-		SEE SHEET 1			

FEED TYPE

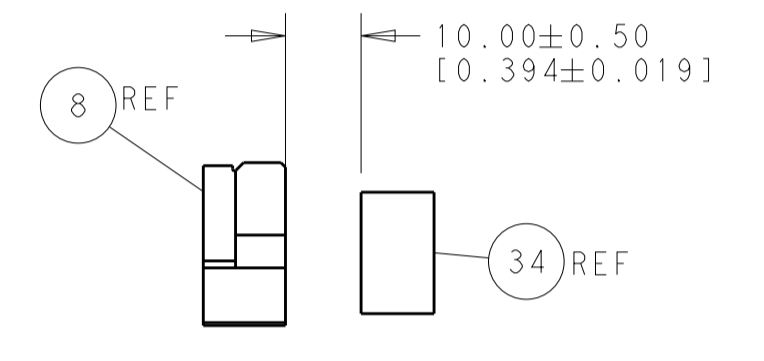
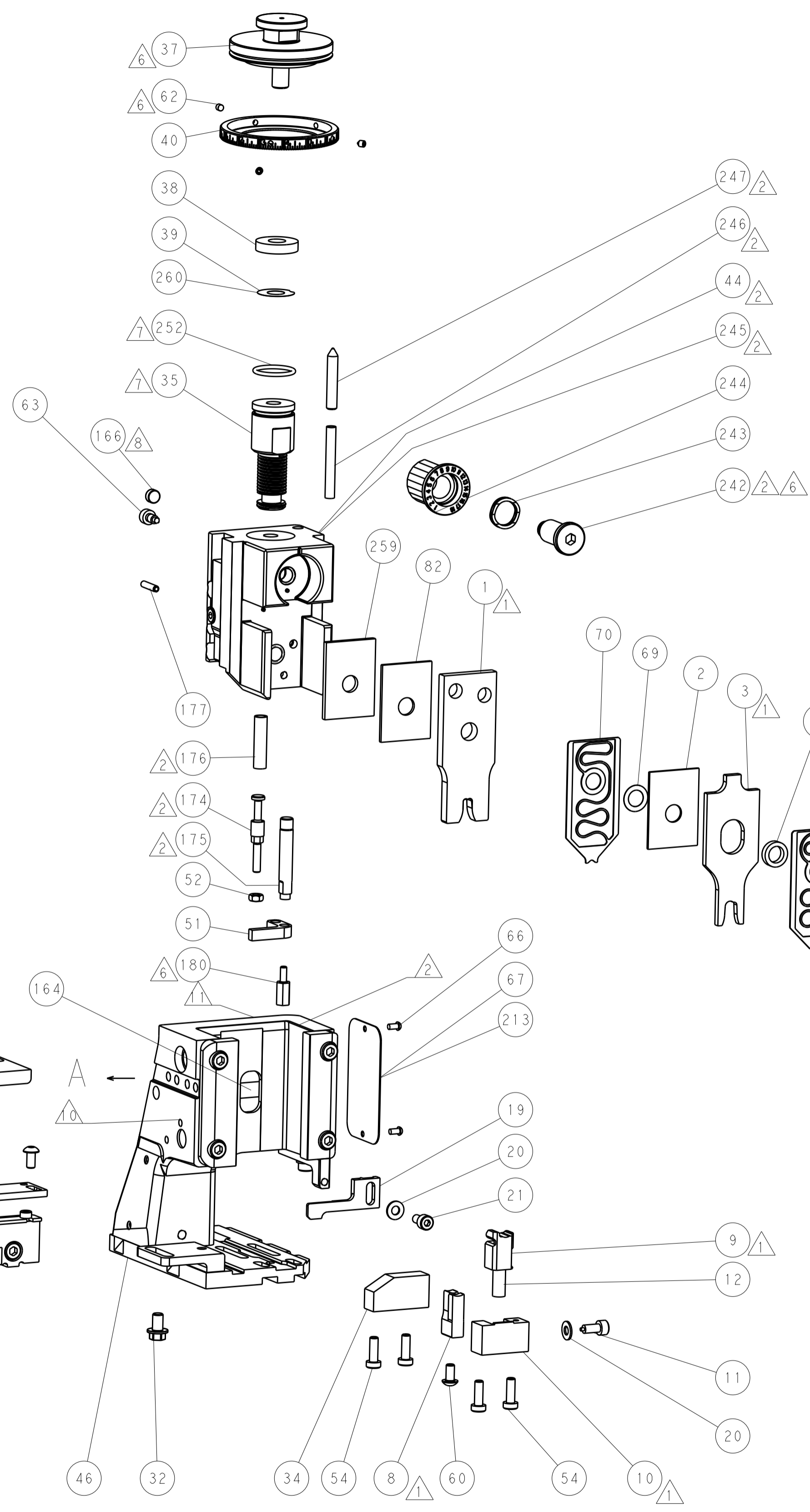
PNEUMATIC



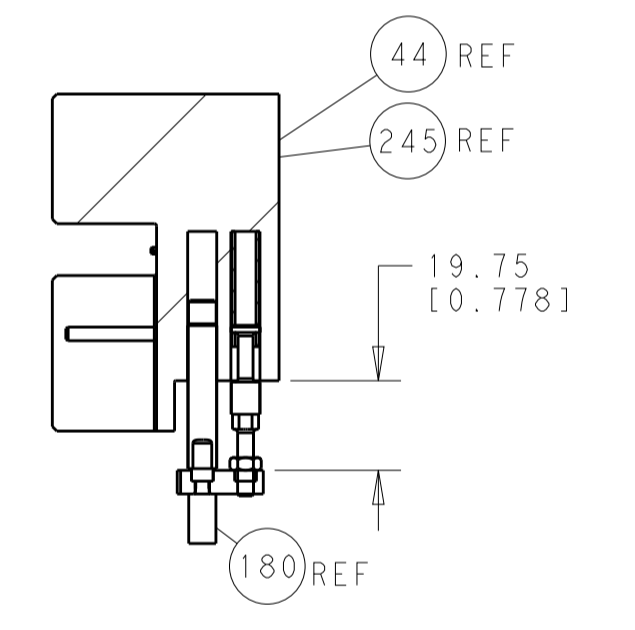
SERVO LATCH PLATE



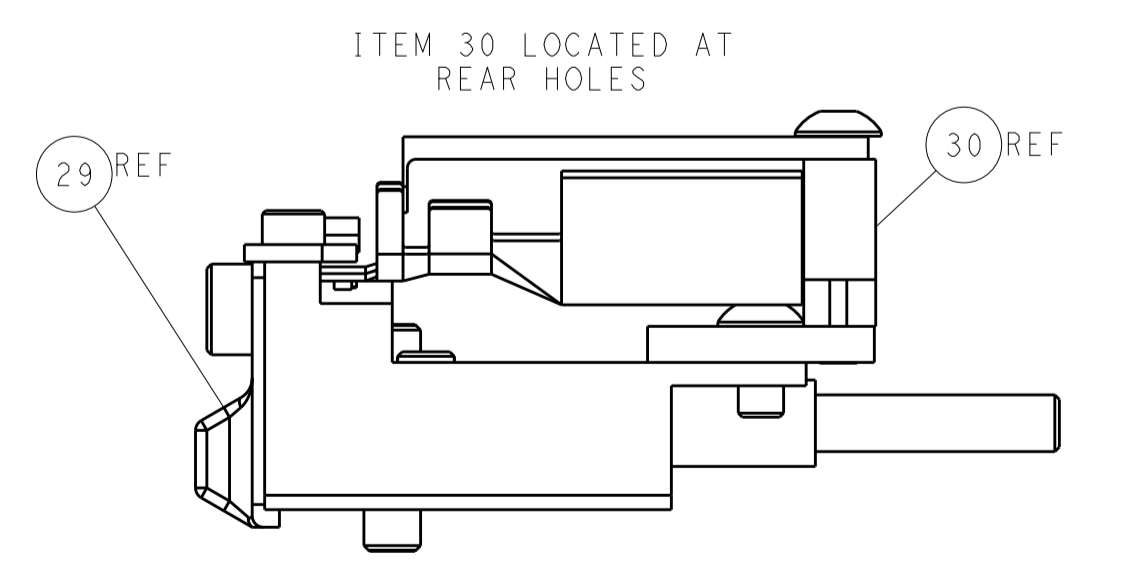
CAM POSITION



TERMINAL SUPPORT LOCATION



HOLD-DOWN SET-UP



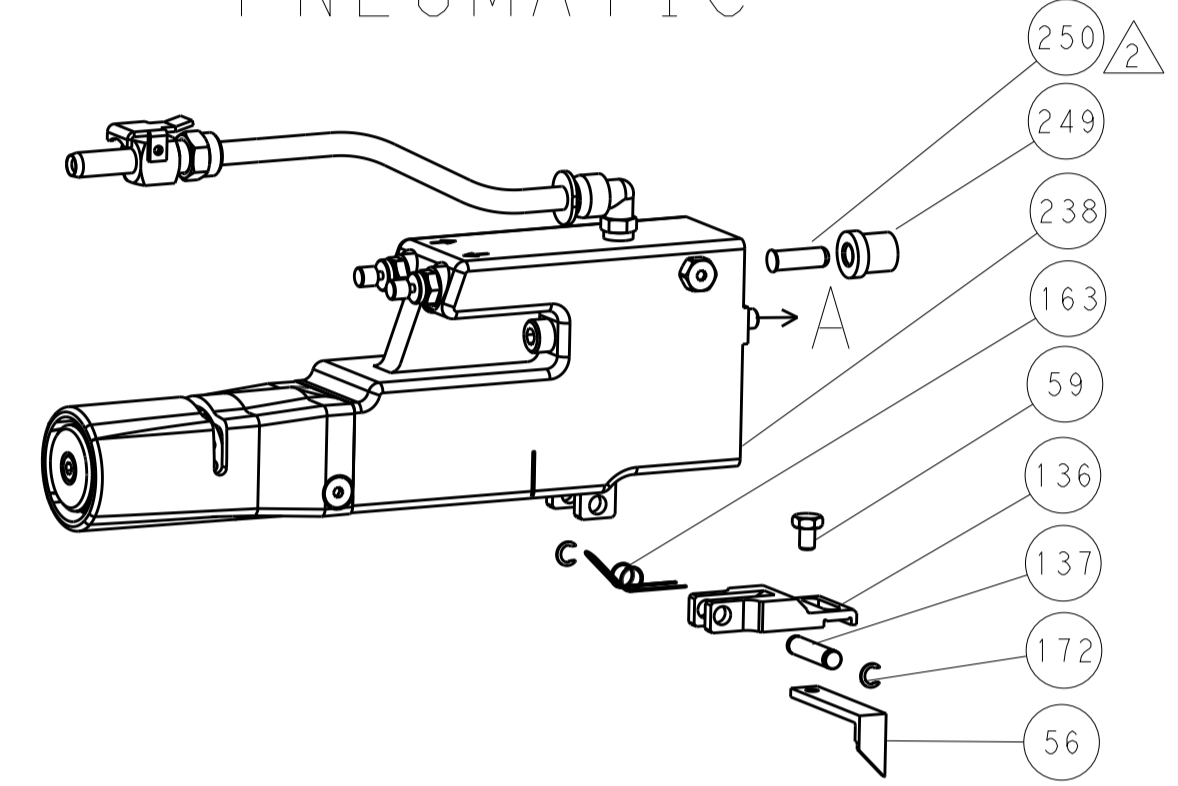
FEED TRACK POSITION GUIDE BY INSULATION BARREL

ATLANTIC VERSION
 Shown on sheets 1 of 4 & 2 of 4
 (Pacific version shown on sheets 3 of 4 & 4 of 4)

DIMENSIONS:		TOLERANCES UNLESS OTHERWISE SPECIFIED:		OWN: R. KNEPPER 17-Jul-14	TE Connectivity Harrisburg, PA 17105-3608
mm	0 PLC ±0.5 1 PLC ±0.5 2 PLC ±0.13 3 PLC ±0.013 4 PLC ±0.0001	ANGLES ±0.0001	FINISH	CHK: G. BAILEY 17-Jul-14	
MATERIAL:				APVD: M. CLIFFORD 17-Jul-14	NAME: Ocean Side Feed Applicator
Customer Accessible Production Drawing				SCALE: 1:2	SHEET 2 OF 4

LOC		DIST		REVISIONS				
A	66	P	LTM	DESCRIPTION	DATE	OWN	APVD	
		-	-	SEE SHEET 1				

FEED TYPE PNEUMATIC



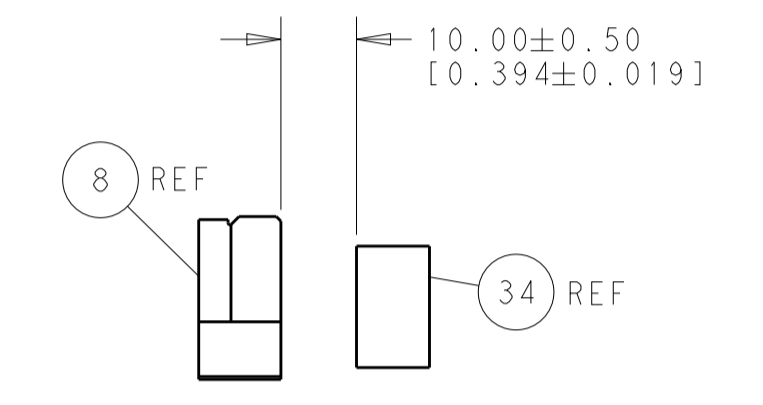
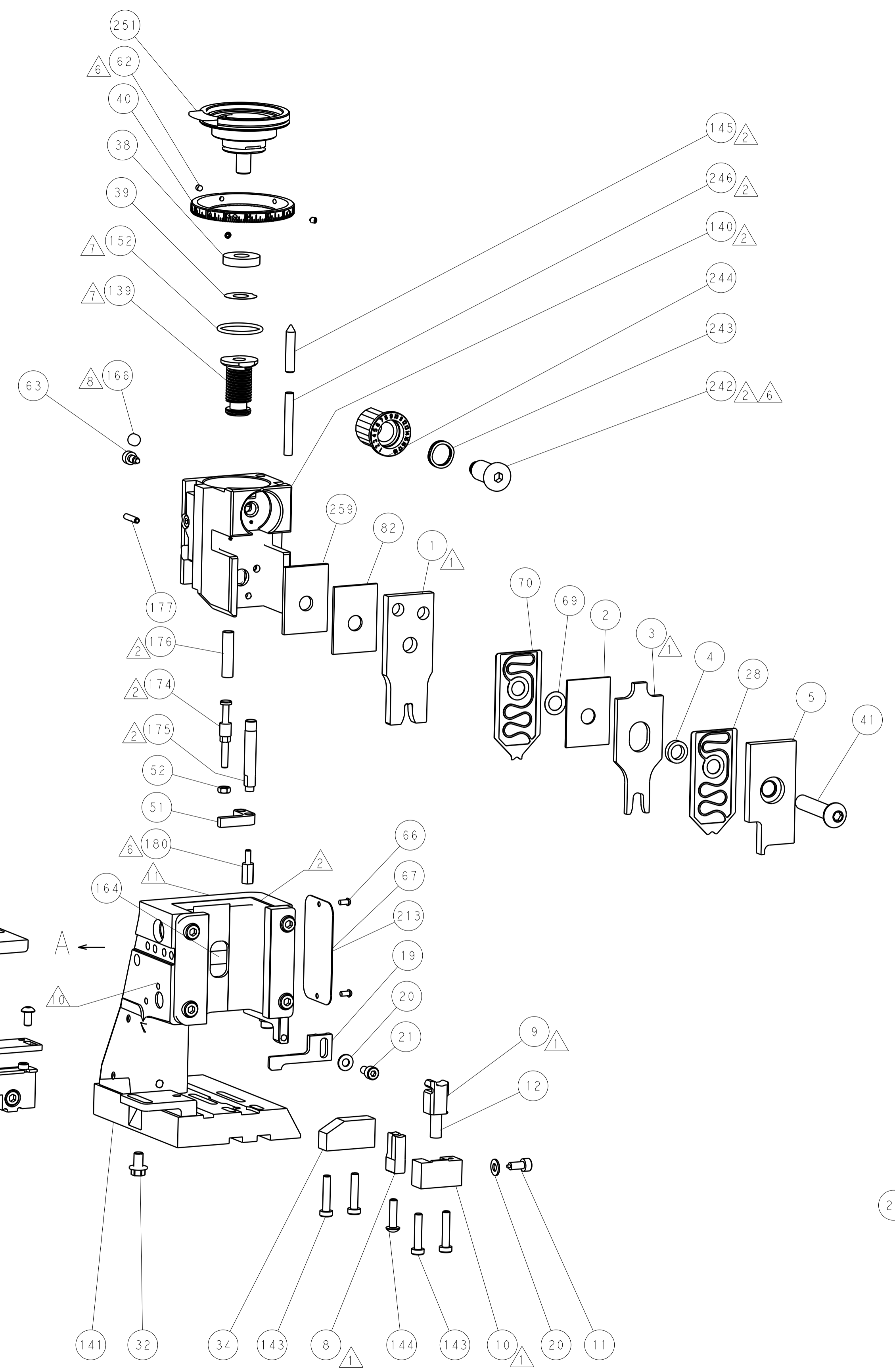
SERVO LATCH PLATE



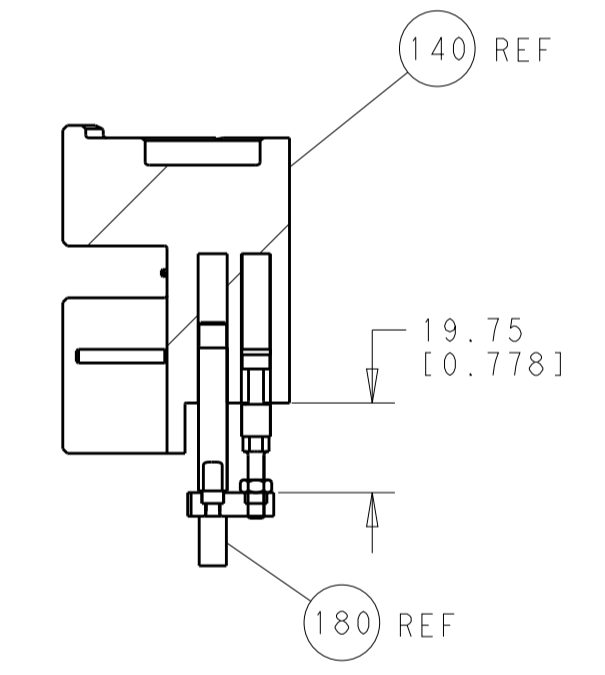
CAM POSITION



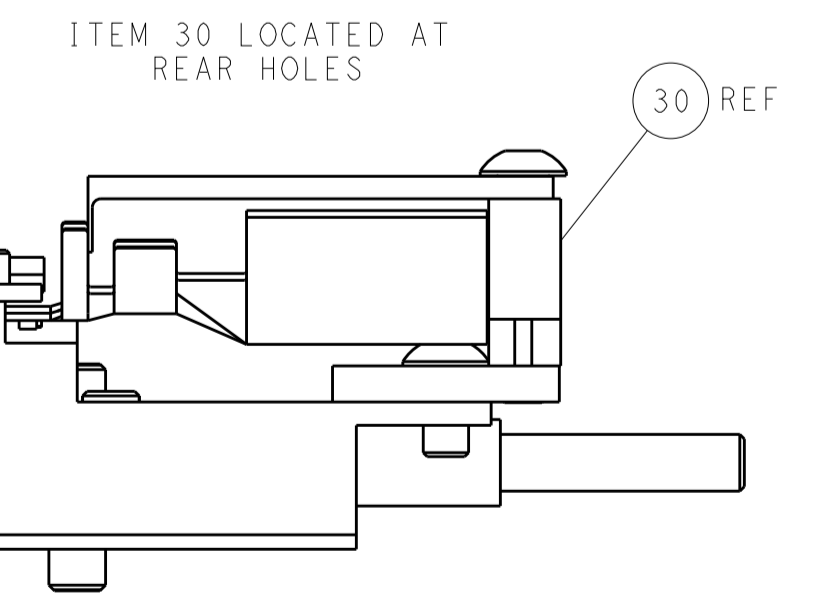
AIR FEED



TERMINAL SUPPORT LOCATION



HOLDDOWN SET-UP



FEED TRACK POSITION GUIDE BY INSULATION BARREL

PACIFIC VERSION
 Shown on sheets 3 of 4 & 4 of 4
 (Atlantic version shown on sheets 1 of 4 & 2 of 4)

DIMENSIONS: mm 		TOLERANCES UNLESS OTHERWISE SPECIFIED: 0 PLC ±0.5 1 PLC ±0.5 2 PLC ±0.13 3 PLC ±0.013 4 PLC ±0.001 ANGLES ±0.0001		DWN R. KNEPPER 17-Jul-14 CHK G. BAILEY 17-Jul-14 APVD M. CLIFFORD 17-Jul-14		NAME Ocean Side Feed Applier	
MATERIAL FINISH		WEIGHT SCALE 1:2		SIZE CAGE CODE DRAWING NO A1 00779 C-2266226		RESTRICTED TO Customer Accessible Production Drawing SHEET 4 OF 4 REV C	