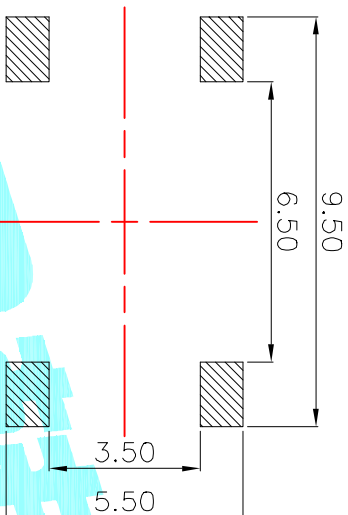
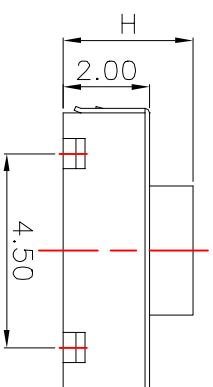
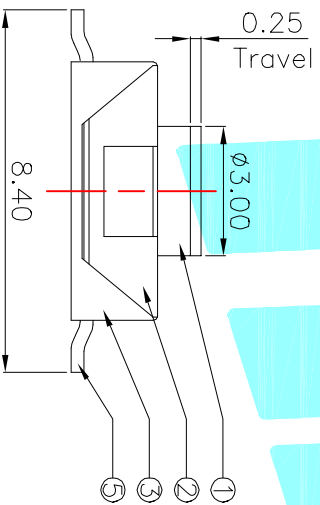
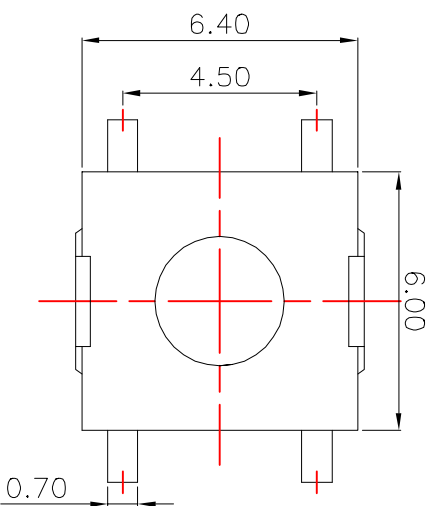




Circuit Diagram



NO.1	
PART NO.	H
B	2.5
C	3.1
D	3.4
E	5.5

NO.3	
PART NO.	MATERIAL/QTY
S	SUS/1PC
C	C5210/1PC
D	SUS/2PCS
F	C5210/2PCS

NO.2	
PART NO.	vigor
1	90±30
2	130±30
3	180±30
4	250±30
5	350±50

NO.4-NO.5	
PART NO.	NOTE
01~99	SERIAL NUMBER

ITEM	PART NAME	TER'NO.	QTY.	MATERIAL	FINISHING	REMARK
⑤	Terminal	---	4	Copper(0.3t)	Plating silver	---
④	Contact	---	1	F.Ag/C5210	Natural	---
③	Base	---	1	Nylon	Black	---
②	Cover	---	1	Brass(0.15t)	Plating Nickel	---
①	Keystroke	---	1	Nylon	Red	---

APPROVALS		DATE	TITLE:
DRAWN	J.X.Zhong	2013/7/17	TACT SWITCHS



ELECTRONICS CO.,LTD

ECN NO.	REV.	DATE.	DESCRIPTION.	CHANGE.	CHECK.	APPRO.
---	A	---	NEW	---	---	---

APPROVALS		PART NO.	SCALE:	PROJ.
CHECKED	---	K2-1157SP-000W-00	1:1	---
TOLERANCES ARE	30~12.5 ±0.30 10~30 ±0.20 5~10 ±0.15 ~5 ±0.10	ANGLE	DRAWING NO.	SHEET 1 OF 1