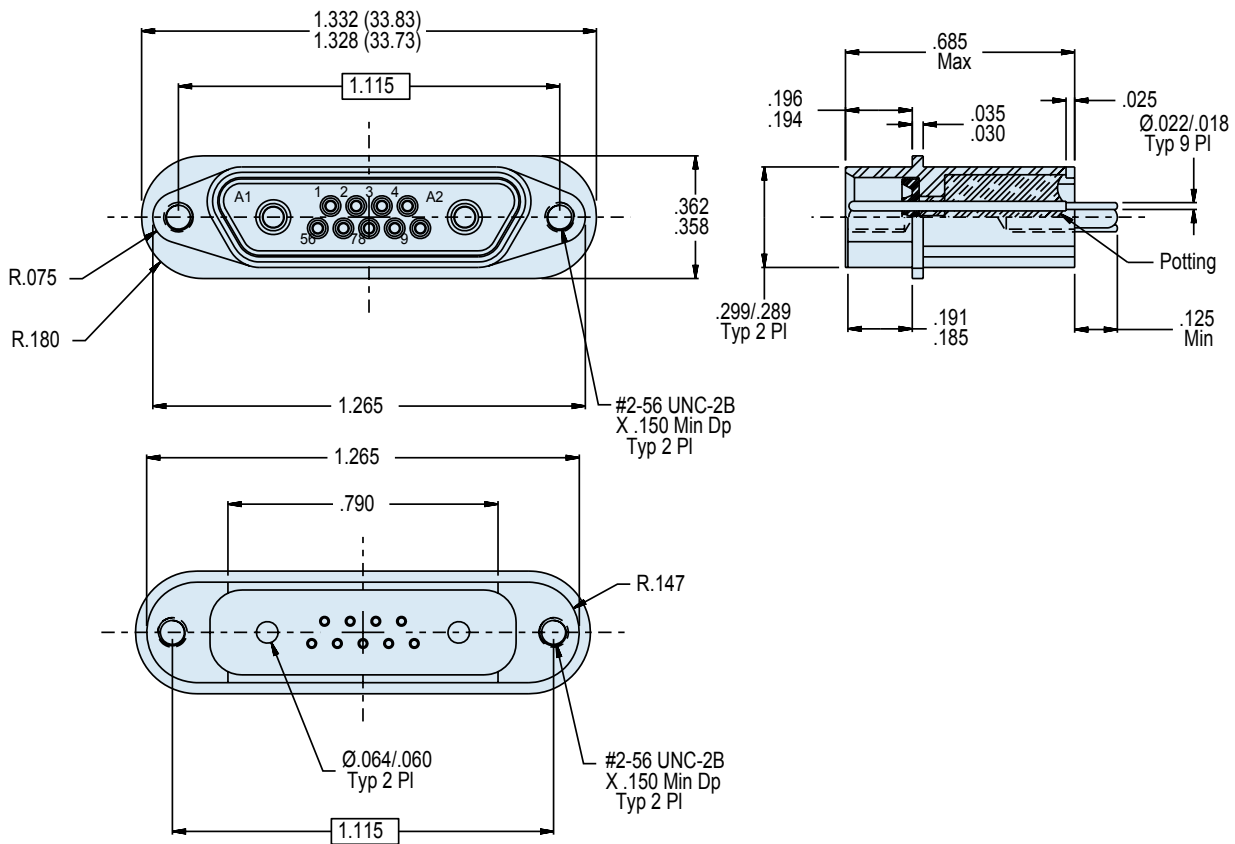
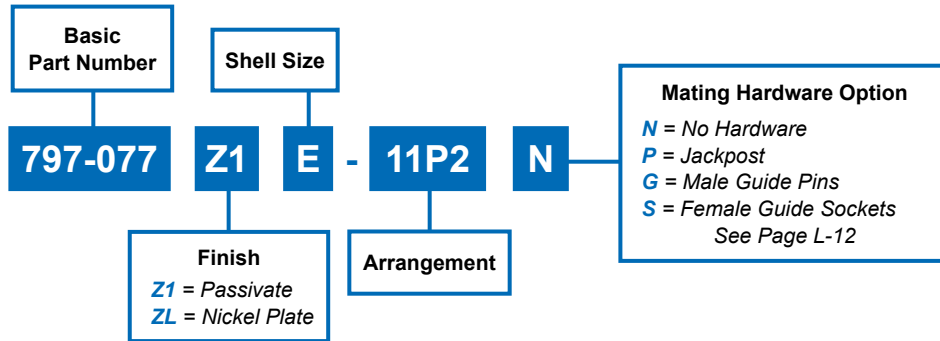




**797-077**  
**Series 79 Micro-Crimp Hermetic Receptacle**  
**E-11P2 Arrangement**



**APPLICATION NOTES**

- |  |   |
|--|---|
| <p>1. Material/Finish:<br/>Shell* - 300 Series CRES/passivate or 300 Series CRES/Nickel Plate<br/>Contacts - Nickel iron alloy/gold plate<br/>Insulator - Glass bead/N.A.<br/>Interfacial Seal - Fluorosilicone elastomer/N.A.<br/>Potting - Epoxy/N.A.<br/>*Consult factory for other shell finishes and O-Ring materials.</p> <p>2. Metric dimensions (mm) are indicated in parentheses.</p> | <p>3. Test Criteria:<br/>Hermeticity - <math>&lt;1 \times 10^{-7}</math> scc He/sec @1 ATM Delta DWV - #23 contacts: 500 VAC pin-to-shell<br/>#16 contacts: 1800 VAC pin-to-shell<br/>I.R. - 5,000 megohms minimum @500 VDC</p> <p>4. Glenair 797-077 is designed to intermate with Glenair 790-025SE-11P2 connector.</p> <p>5. Contact style P.C. termination.</p> |
|--|---|