

ELECTRICAL SPECIFICATIONS:

- |                               |  |  |
|-------------------------------|--|--|
| 1.0 TURNS RATIO:              | $(P6-P5-P4) : (J6-J3)$<br>$(P3-P2-P1) : (J2-J1)$             | : 1CT : 1CT ± 3%<br>: 1CT : 1CT ± 3%   |
| 2.0 INDUCTANCE:               | $(P6-P4)$<br>$(P3-P1)$                                       | : 350uH MIN. @ 0.1V, 100KHz, 8mA DC Bias<br>: 350uH MIN. @ 0.1V, 100KHz, 8mA DC Bias |
| 3.0 LEAKAGE INDUCTANCE:       | P6-P4 (WITH J6 AND J3 SHORT)<br>P3-P1 (WITH J2 AND J1 SHORT) | : 0.3 MAX. @ 1MHz<br>: 0.3 MAX. @ 1MHz   |
| 4.0 INTERWINDING CAPACITANCE: | $(P6,P5,P4)$ TO $(J6,J3)$<br>$(P3,P2,P1)$ TO $(J2,J1)$       | : 30pf MAX @ 1MHz<br>: 30pf MAX. @ 1MHZ  |
| 5.0 DC RESISTANCE:            | $(J6-J3)=(J2-J1)$  | 1.2 ohms Max.  |

NOTES

1.0 PINS WITHOUT ELECTRICAL CONNECTION ARE OMITTED.

Bel Stewart Connector  
11118 Susquehanna Trail, South  
Glen Rock, Pa 17327-9199  
717.234.7512

**MagJack**<sup>®</sup>

<http://www.stewartconnector.com>

SHEET  
1 OF 4

DRAWING NO.  
CH0042-SL2

REV.  
13

RECEIVE

- 6.0 RETURN LOSS: 1MHz TO 30MHz : 18dB MIN.  
60MHz TO 80MHz : 12dB MIN.  
NOTE: 100 OHMS CONNECTED TO (J2-J1) OR (J6-J3).
- 7.0 DIELECTRIC WITHSTAND: (J1, J2) TO (P1, P3) : 1500 VAC  
(J3, J6) TO (P4,P6) : 1500 VAC
- 8.0 INSERTION LOSS: RS=RL=100 ohms : 1.1 dB TYP  
100KHz TO 100MHz
- 9.0 RISE TIME: RS=100 OHMS AND RL = 100 OHMS : 3.0 nS MAX  
OUTPUT VOLTAGE = 1 V peak : 3.0 nS MAX  
PULSE WIDTH= 112nS
- 10.0 CROSS TALK: 1MHz TO 100MHz : 40 dB TYP
- 11.0 COMMON TO COMMON MODE ATTENUATION: 30MHz TO 100MHz : 35dB TYP

Bel Stewart Connector  
11118 Susquehanna Trail, South  
Glen Rock, Pa 17327-9199  
717.234.7512

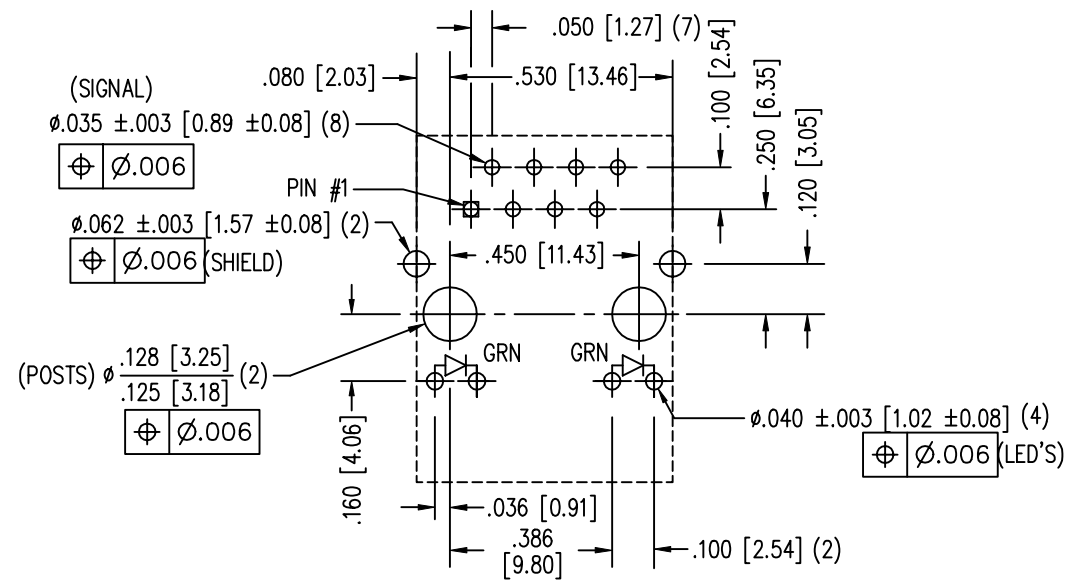
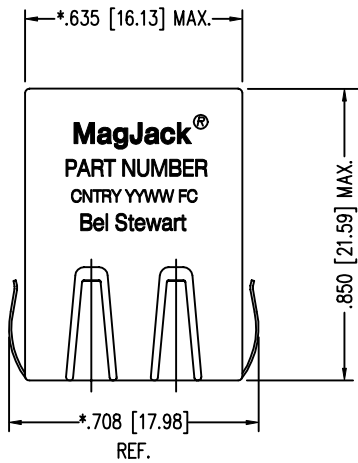
**MagJack**<sup>®</sup>

<http://www.stewartconnector.com>

SHEET  
2 OF 4

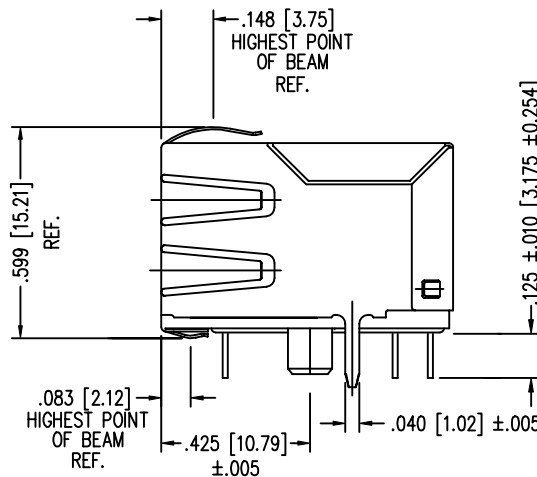
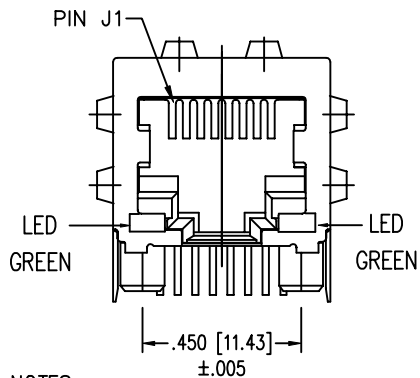
DRAWING NO.  
CH0042-SL2

REV.  
13



P.C.B. RECOMMENDED HOLE LAYOUT  
SEEN FROM COMPONENT SIDE

ALL CENTERLINE DIMENSIONS ARE BASIC.



NOTES:

- CONNECTOR MATERIALS:  
HOUSING: THERMOPLASTIC UL94 V-0  
CONTACT/SHIELD: COPPER ALLOY  
SHIELD PLATING: NICKEL OR TIN  
CONTACT PLATING: SELECTIVE GOLD,  
50 MICRO-INCHES MIN. IN CONTACT AREA.
- PIN NOT ELECTRICALLY CONNECTED MAYBE OMITTED.  
SEE ELECTRICAL DRAWING FOR OMITTED PINS.
- TOLERANCES COMPLY WITH F.C.C. DIMENSION REQUIREMENTS.
- WAVE SOLDER COMPATIBLE - PREHEAT 125°C/90SECS.  
HIGH TEMPERATURE REFLOW COMPATIBLE - 230°C/90 SEC MAX.

LED SPECIFICATION			
STANDARD LED	WAVELENGTH	* Forward V (MAX)	(TYP)
GREEN	565 nm	2.5 V	2.1 V

\*WITH A FORWARD CURRENT OF 20 mA

**Bel Stewart Connector**  
11118 Susquehanna Trail, South  
Glen Rock, Pa 17327-9199  
717.234.7512

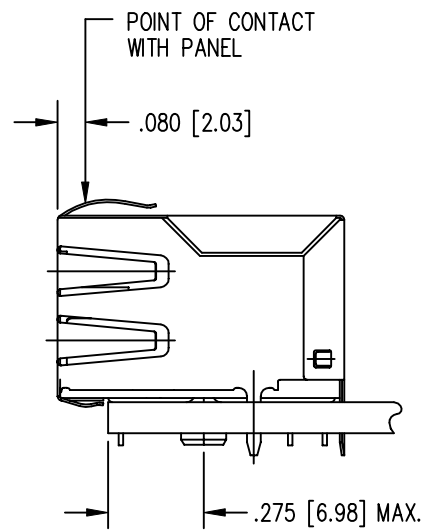
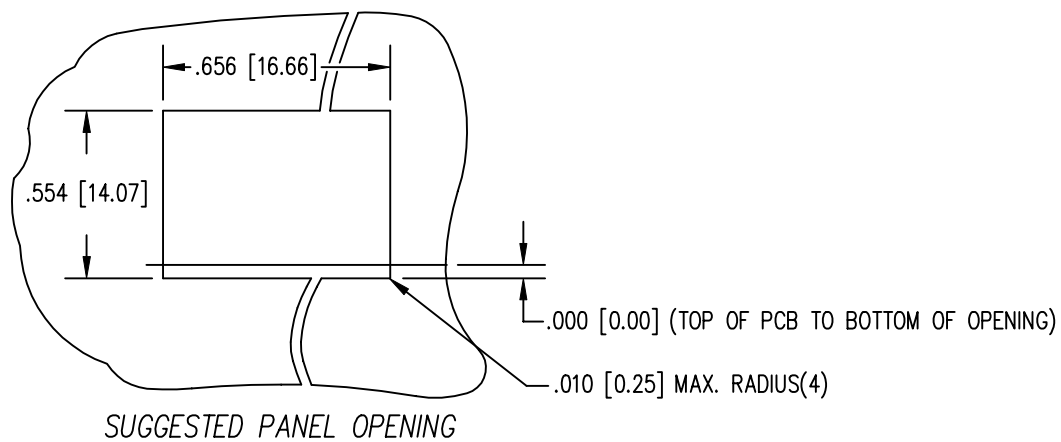
**MagJack®**

<http://www.stewartconnector.com>

SHEET  
3 OF 4

DRAWING NO.  
CH0042-SL2

REV.  
12



THE SUGGESTED PANEL OPENING IS INTENDED TO GIVE THE USER THE ABILITY TO HAVE REASONABLE JACK / PANEL CLEARANCES YET MAINTAIN RELIABLE GROUNDING CAPABILITY.

Bel Stewart Connector  
 11118 Susquehanna Trail, South  
 Glen Rock, Pa 17327-9199  
 717.234.7512

**MagJack**<sup>®</sup>

<http://www.stewartconnector.com>

SHEET  
4 OF 4

DRAWING NO.  
CH0042-SL2

REV.  
12