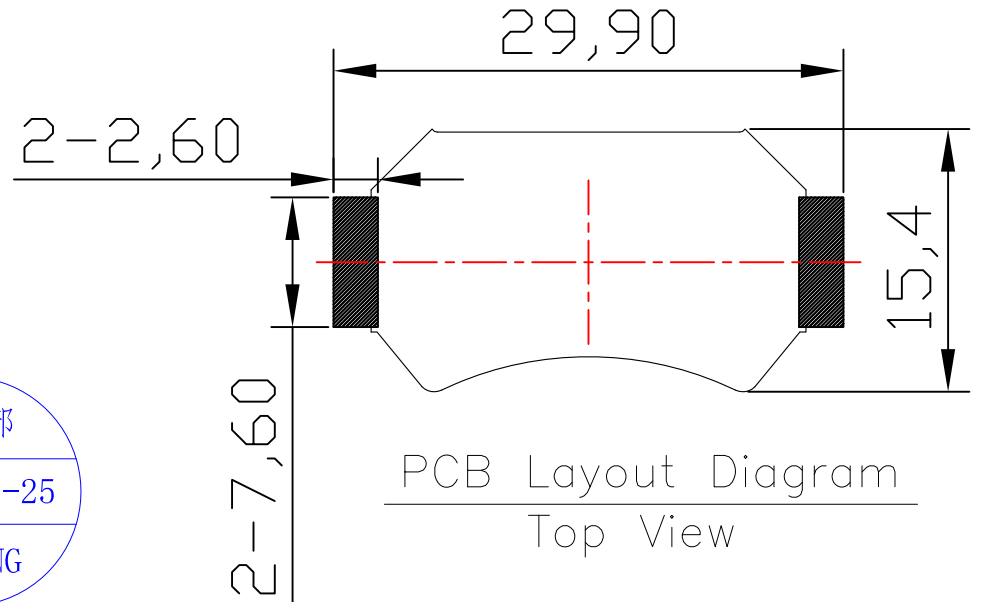
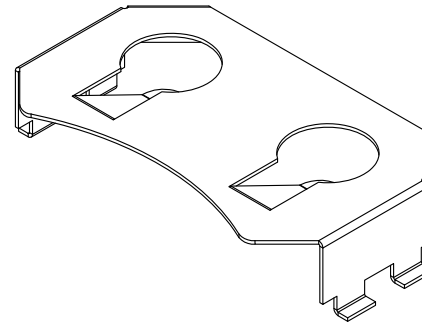
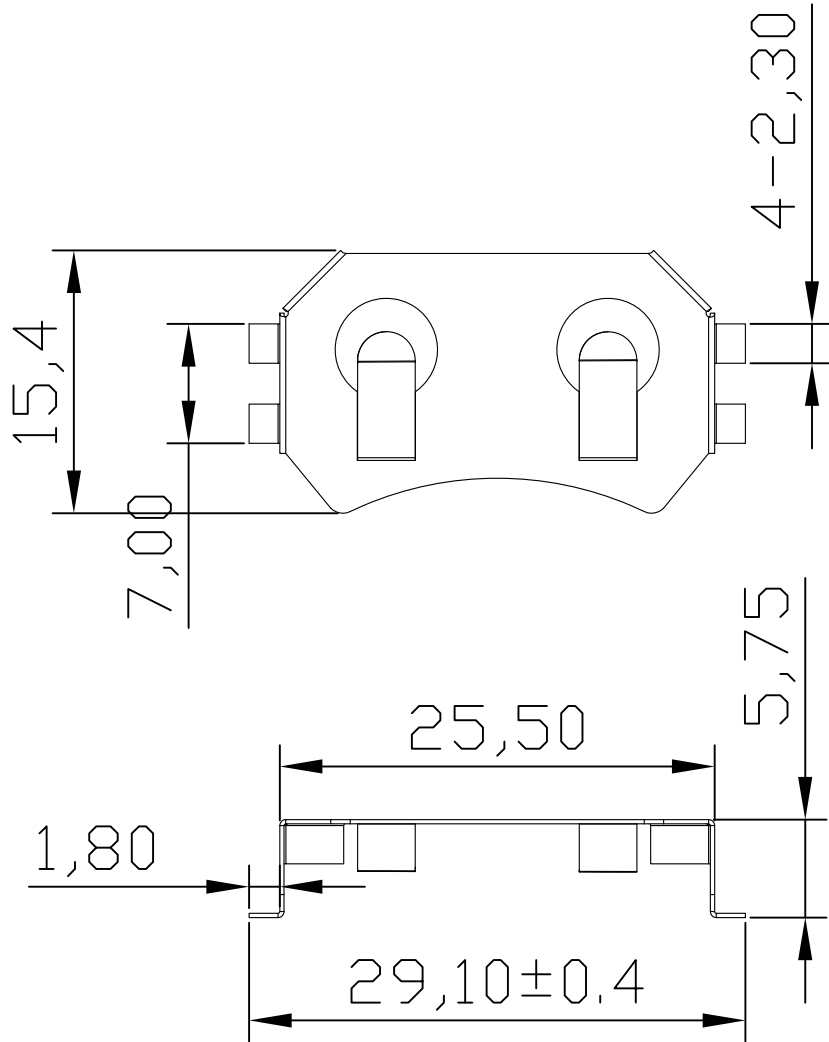




REV.	ECN NO.	REVISED	DATE



工程部
2021-02-25
H. WANG

UNLESS OTHERWISE SPECIFIED TOLERANCES		MYOUNG 美阳 www.meiyangdz.com					
DECIMALS: X :±0.30 X.X :±0.25 X.XX :±0.20 X.XXX :±0.10	ANGLES: X :±1° X.X :±0.5°	DSND	YangFeng	DATE	2021-02-26	TITLE:	
WEIGHT: 0.60g		CHKD	ZhouRuicai	DATE	2021-02-26	电池扣CR2450-P SMT	
SHEET 1 OF 1		APVD	XueShunyong	DATE	2021-02-26	PART NO.:	
		SCALE: 2:1	SIZE: A4	VIEW:		MY-2450-03	
		UNIT: mm	REV.: A/0	OBJECT: MY	DRAW NO.:WD-CP-0135		

1	TERMINAL(+)	1	PHOSPHOR BRONZE, T=0.25mm	Ni-Plating
NO.	PART NAME	Q'TY	MATERIAL	PLATING & COLOR