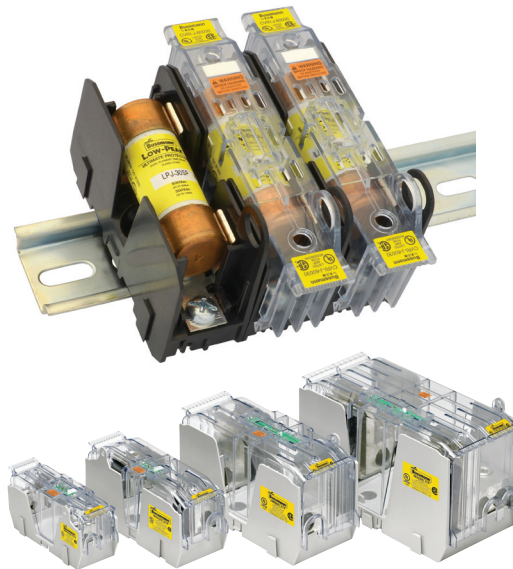


Class J modular ferrule and knifeblade fuse blocks

RoHS



Catalog symbol:

- JM60_

Description:

Bussmann® series Class J modular fuse blocks increase versatility, reduce labor and enhance safety for any panel or electrical system design. Available for the full Class J fuse amp range.

These fuse blocks feature a standard fuse clip reinforcing spring for enhanced electrical contact between the block and fuse. All blocks are available as single-pole versions that snap together for the required number of poles, or as factory configured 2-, and 3-pole versions to meet stocking requirements.

The modular design permits reducing inventory, assembly time and labor with tool-less assembly of multiple poles at point of use.

Ferrule fuse blocks up to 60 amps save panel space with the smallest width dimension on the market and feature DIN-Rail and panel mount versatility so that one product can be used for multiple applications with lower inventory cost.

Knifeblade fuse blocks from 100 to 600 amps feature phase barriers between poles for additional safety with up to four mounting holes per pole increase installation flexibility. All knifeblade blocks meet UL creep and clearance requirements for Industrial Power Circuits (UL 508 and UL 845).

Additionally, the 200 to 600 amp blocks meet the higher UL creep and clearance requirements for Power Distribution Standards (UL 98, UL 67, UL 489, UL 891 and UL 869A)

All blocks have optional IP20 finger-safe high clarity, see-through covers for inspecting wire terminations or thermography measurements without removal. All covers enhance safety by featuring probe holes for easier, safer testing and a lockout/tagout capability. These covers also have optional open fuse indication to speed troubleshooting.

Easy circuit identification is available for 30 and 60 amp blocks and covers with universal marker labels.

Specifications:

Ratings

- Volts 600V
- Amps up to 600
- Withstand 200kA RMS Sym

Agency information

- Blocks:
 - UL® Listed E14853 — IZLT and IZLT7
 - CSA® Certified 47235-6225-01
 - CE
 - RoHS Compliant
 - REACH declaration available upon request
- Covers:
 - UL Listed E58836 - JDVS
 - CSA Certified 47235-6225-01 (30 and 60A)
 - RoHS Compliant
 - REACH declaration available upon request



Powering Business Worldwide

Technical Data 10488

Effective February 2016

Poles

- 1-, 2-, 3-pole units factory assembled
- Single-pole units snap together to create desired number of poles

Flammability ratings

- Blocks: UL 94V0, self-extinguishing
- Covers: UL 94HB, self-extinguishing

Operating and storage temperature range

- Blocks -40°C to +120°C
- Covers;
 - Non-Indicating -40°C to +120°C
 - Indicating -20°C to +90°C*

* Indication requires minimum 90V and closed circuit to illuminate.

Materials

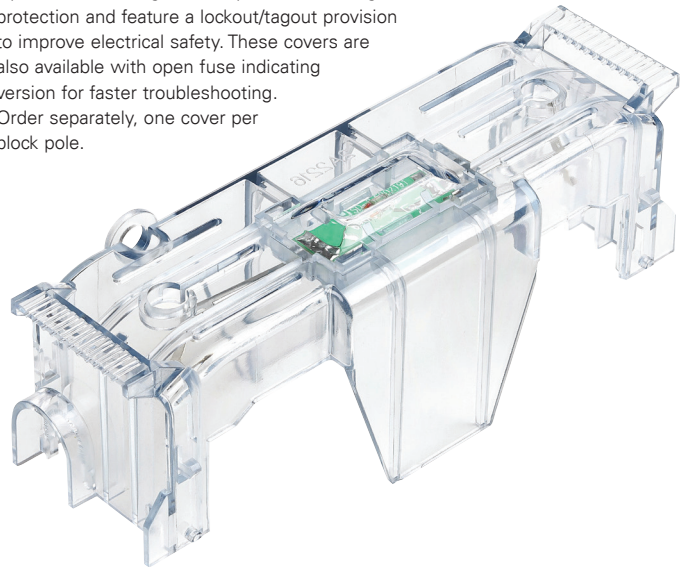
- Base: Thermoplastic
- Terminals:
 - Tin-plated copper brass (30 and 60A)
 - Tin-plated aluminum (box lug)
- Covers: Thermoplastic

Conductors

- See catalog numbers for details and torque specifications.

Class J modular ferrule and knifeblade fuse blocks

Optional see-through covers provide IP20 finger-safe protection and feature a lockout/tagout provision to improve electrical safety. These covers are also available with open fuse indicating version for faster troubleshooting. Order separately, one cover per block pole.



Standard dual lugs on 600A blocks and optional dual lugs on 400A blocks for easier wiring using two, smaller conductors.

Modular Class J ferrule and knifeblade fuse blocks



30 and 60 amp ferrule fuse blocks have DIN-rail and panel mounting capability, the modular design allows blocks to snap together for the desired number of poles. They accept optional snap-on covers for IP20 finger-safe protection and feature a lockout/tagout to improve electrical safety.



100 to 600 amp knifeblade fuse blocks are panel mount with multiple holes for installation flexibility and the modular design allows blocks to snap together for the desired number of poles. They accept optional snap-on covers for IP20 finger-safe protection and feature a lockout/tagout provision to improve electrical safety.



On blocks rated from 100 to 600A, the optional covers can be completely removed for servicing or simply hinged open.

Table 1: 30 and 60 amp block catalog numbers

Fuse amp range	Poles	Terminal type				Optional covers*	
		Box lug/slot screw	Box lug/hex screw	#10-32 Phil-slot screw	Pressure plate	Indicating**	Non-indicating
up to 30	1	JM60030-1CR	JM60030-1CHR	JM60030-1SR	JM60030-1PR	CVRI-J-60030	CVR-J-60030
	2	JM60030-2CR	JM60030-2CHR	JM60030-2SR	JM60030-2PR		
	3	JM60030-3CR	JM60030-3CHR	JM60030-3SR	JM60030-3PR		
35 to 60	1	JM60060-1CR	JM60060-1CHR	—	—	CVRI-J-60060	CVR-J-60060
	2	JM60060-2CR	JM60060-2CHR				
	3	JM60060-3CR	JM60060-3CHR				

* Covers sold separately, one cover per pole.

** Open fuse indication requires 90 volts minimum and closed circuit to operate.

Table 2: 30 and 60 amp block terminals and conductors

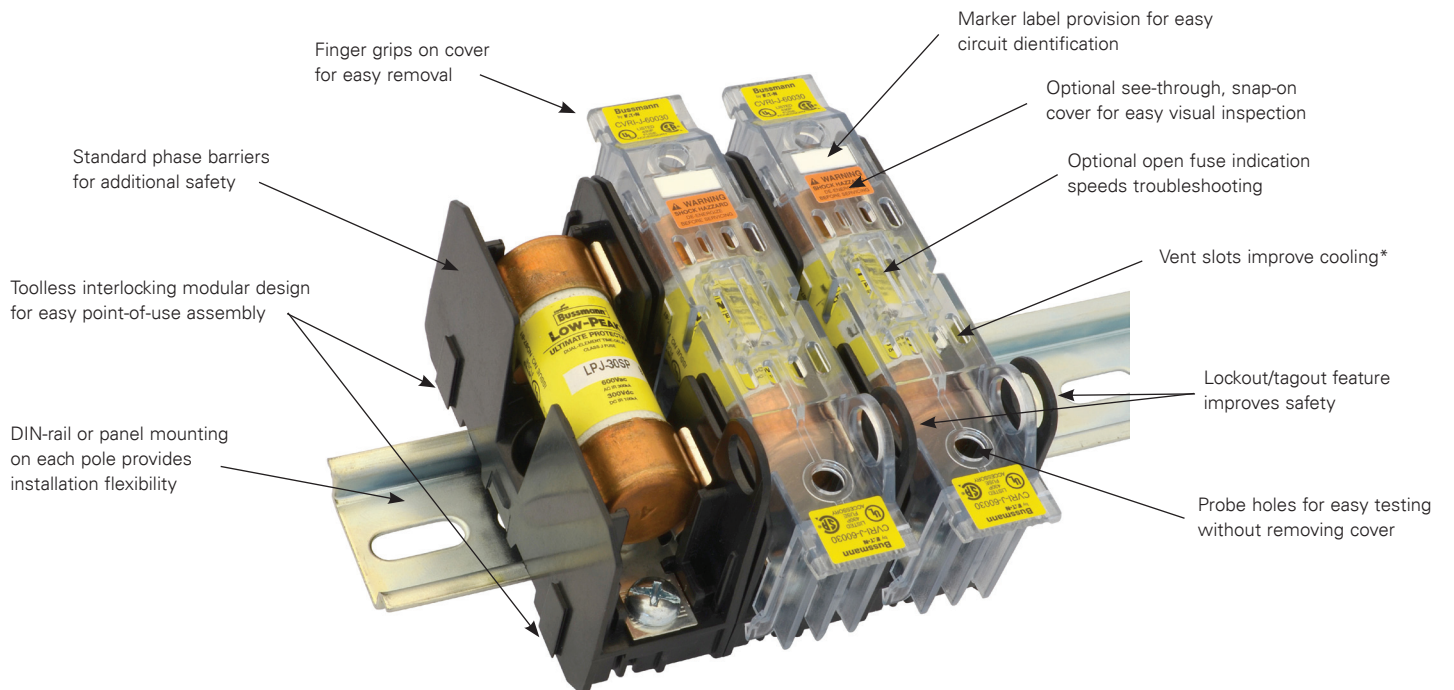
Terminal type	AWG type/range	AWG	Torque N·m (lb-in)
Box lug	75°C Cu 2-14, AL 2-8	2-3	5.6 (50)
		4-6	5.1 (45)
		8	4.5 (40)
		10-14	4.0 (35)
#10-32 Phil-slot screw	75/90°C Cu 10-18	10-18	2.3 (20)
Pressure plate			

Recommended Bussmann series fuses:

Description	Amps	Data sheet no.
Ultimate protection Low-Peak® LPJ time-delay fuses	up to 60	1006
Advanced protection Limitron™ JKS fast-acting fuses	up to 600	1026

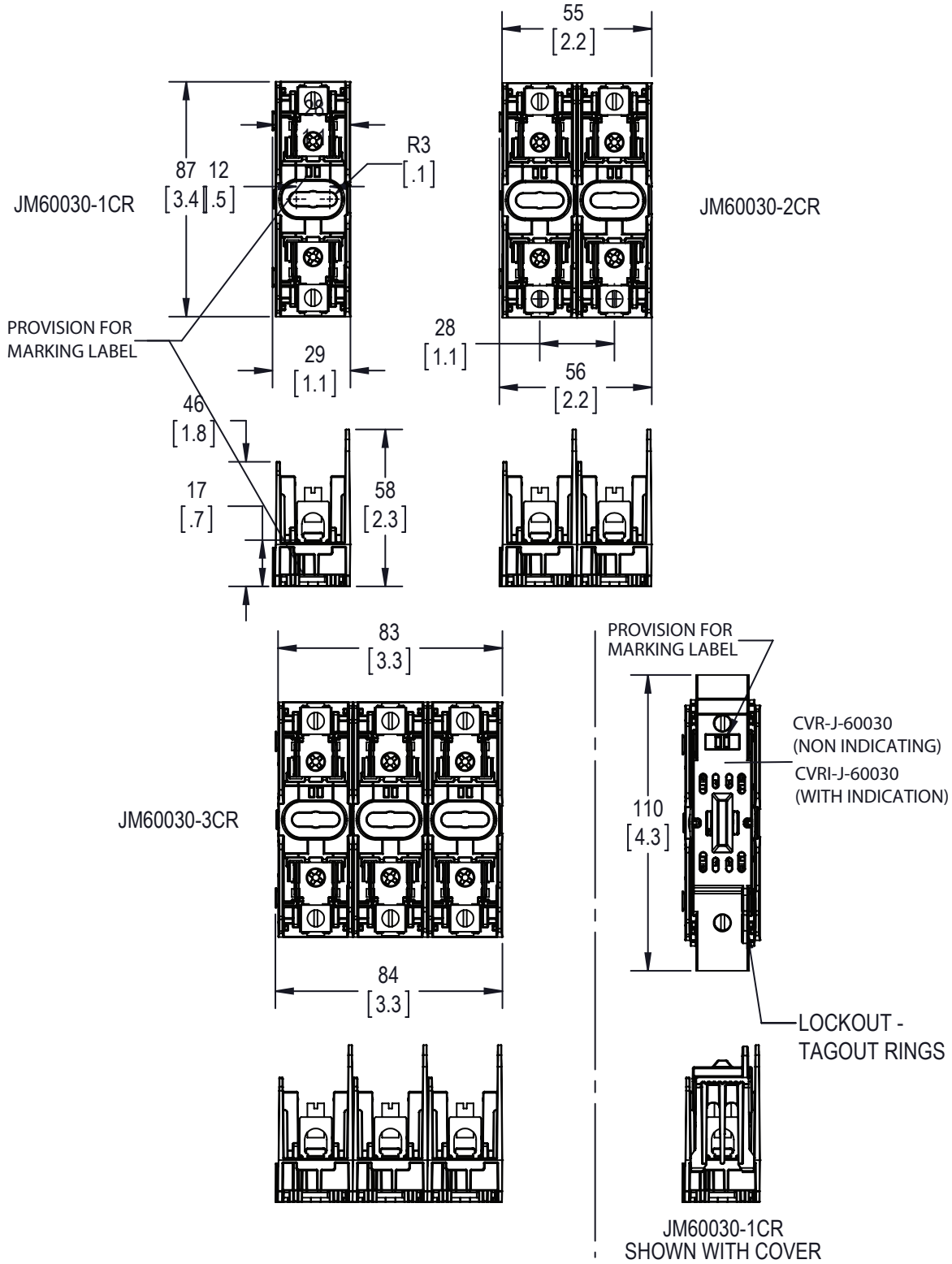
Recommended accessories for 30 and 60 amp blocks:

Description	Catalog no.
DIN-Rail end stops	BRKT-ND
	BRKT-NDSCREW2
Marker labels	TM26CB

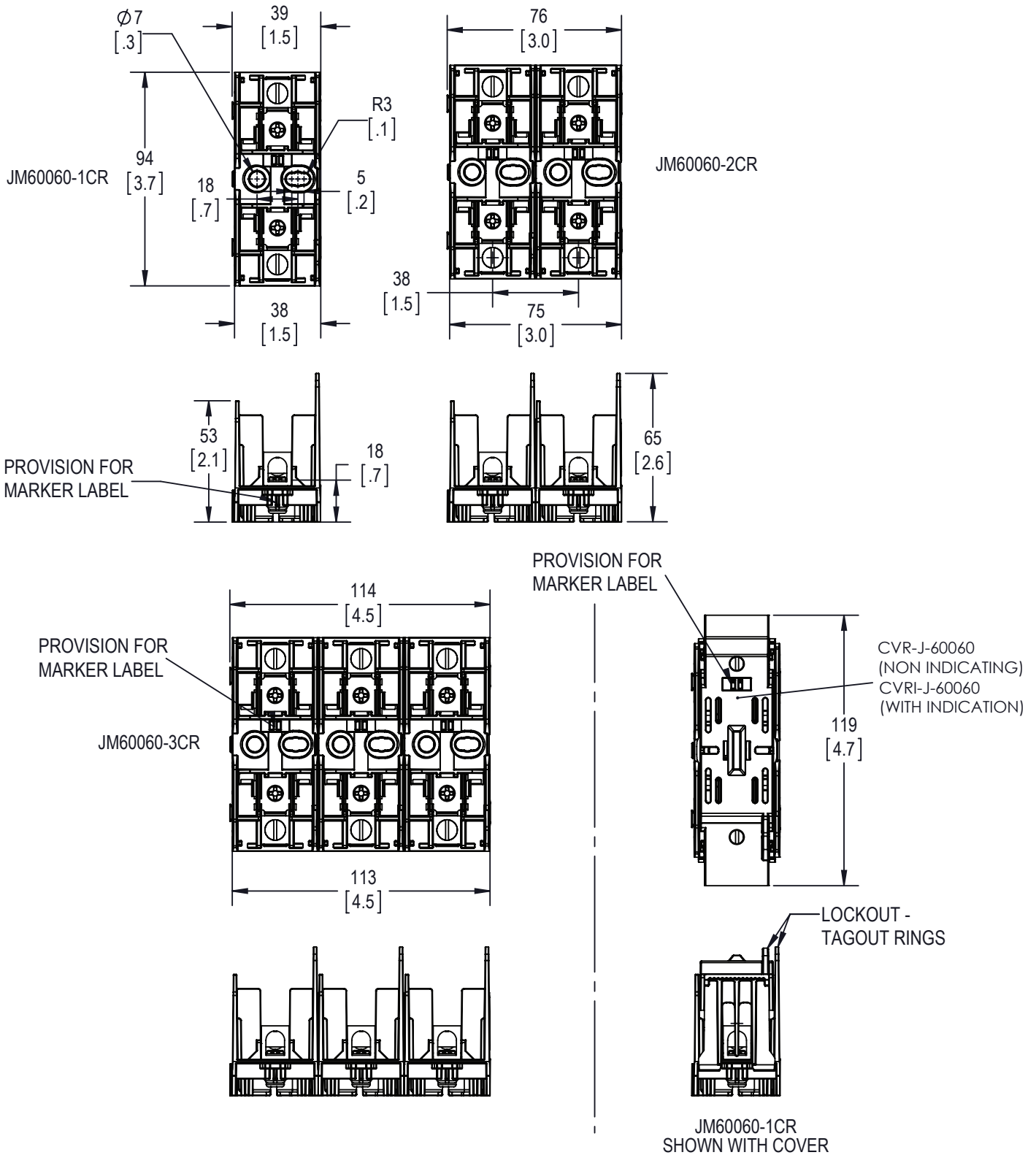


*No fuse derating necessary.

Dimensions; 30A Class J block - in (mm)

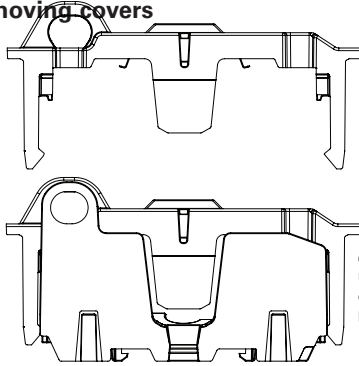


Dimensions; 60A Class J block - in (mm)



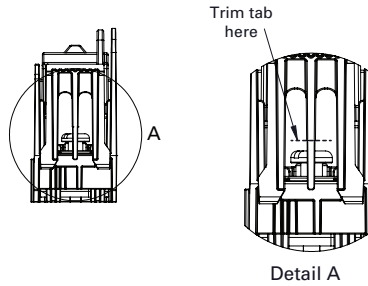
Installing/removing covers

Install cover:
Position cover
over block and
push straight
down until it
snaps/clicks
into place.

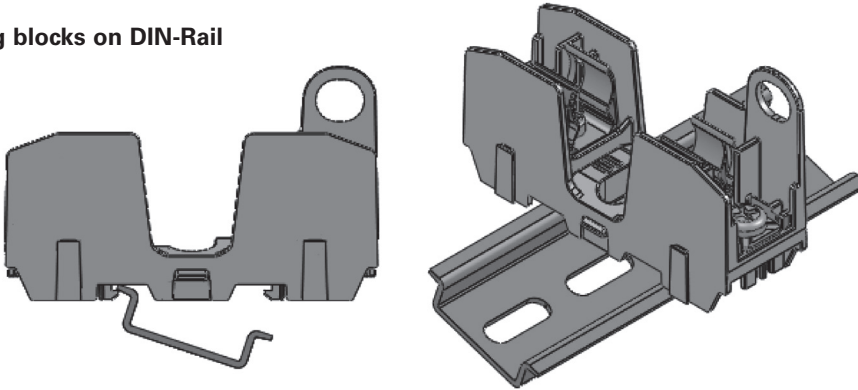


Open cover:
Using both
outside handles,
pull straight up.

For larger conductors, trim center tab
at notch as show in detail A.



Installing blocks on DIN-Rail



Place one edge of DIN-Rail in fuse block base, then rotate block down until it clicks into place.

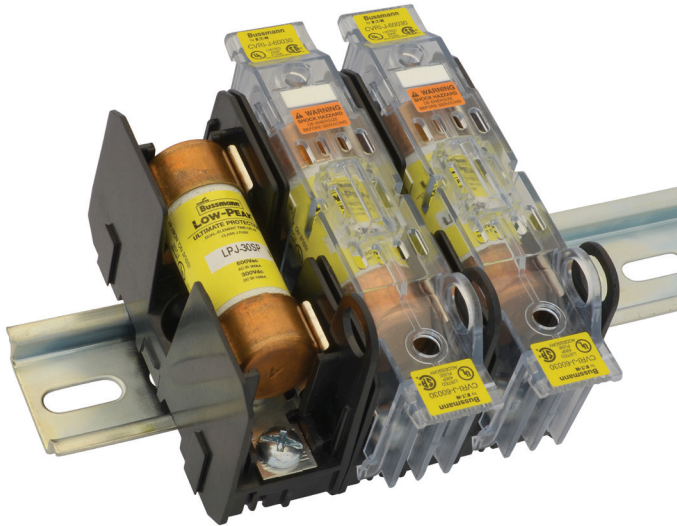


Table 6: Class J 100 to 600 amp knifeblade blocks and covers

Fuse amp range	Poles	Catalog nos.	Covers*		Conductors***		Torque N·m (lb-in)
			Indicating**	Non-indicating	Solid and stranded	Fine stranded	
70-100	1	JM60100-1CR			—	Cu 1-3 AWG	6.2 (55)
	2	JM60100-2CR	CVR-J-60100	CVRI-J-60100	1/0-3 AWG; (2) Cu 4-6 AWG	Cu 4-6 AWG	5.6 (50)
					2 4-6 AWG; (2) Cu 8 AWG	Cu 8 AWG	5.1 (45)
3	JM60100-3CR			8 AWG; (2) Cu 10-14 AWG	—	4.5 (40)	
110-200	1	JM60200-1CR			Cu 10-14 AWG; Al 10-12 AWG	—	4.0 (35)
	2	JM60200-2CR	CVR-J-60200	CVRI-J-60200	250kcmil-1 AWG	Cu 3/0-1 AWG	42 (375)
	3	JM60200-3CR			2-6 AWG; (2) Cu 2-6 AWG	Cu 2-6 AWG	31 (275)
225-400	1	JM60400-1CR			600kcmil		57 (500)
	2	JM60400-2CR			500kcmil-4 AWG		51 (450)
	3	JM60400-3CR					
	1	JM60400-1MW22	CVR-J-60400	CVRI-J-60400	(2) Cu 3/0 - 4 AWG	N/A	57 (500)
	2	JM60400-2MW22					
	3	JM60400-3MW22			(2) Al 3/0 - 4 AWG		34 (300)
450-600	1	JM60600-1CR					
	2	JM60600-2CR	CVR-J-60600	CVRI-RH-60600	2 (2) 500kcmil-4 AWG	N/A	51 (450)
	3	JM60600-3CR					

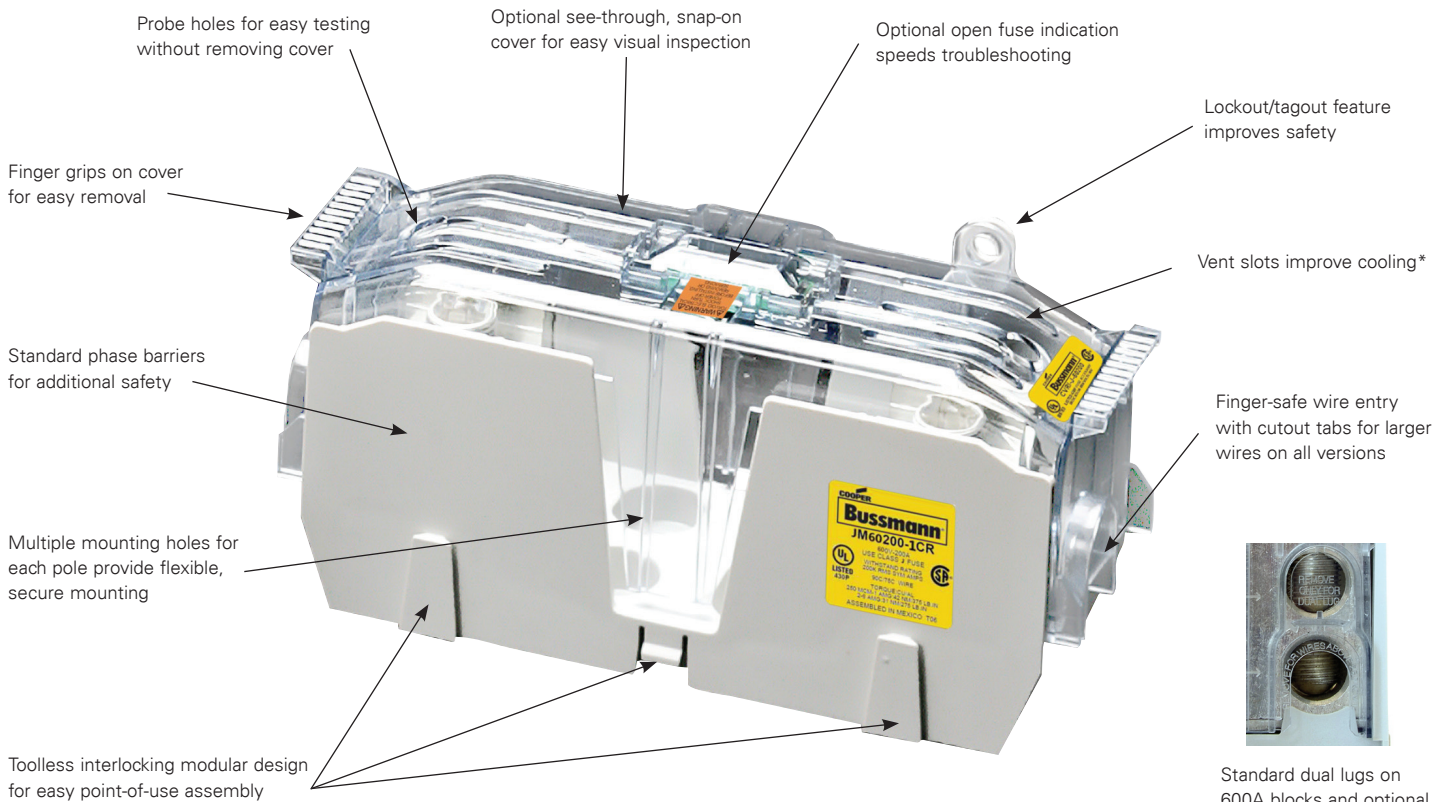
* Covers sold separately.

** Open fuse indication requires 90 volts minimum and closed circuit to operate.

*** Ratings for copper and aluminum conductors except where otherwise noted.

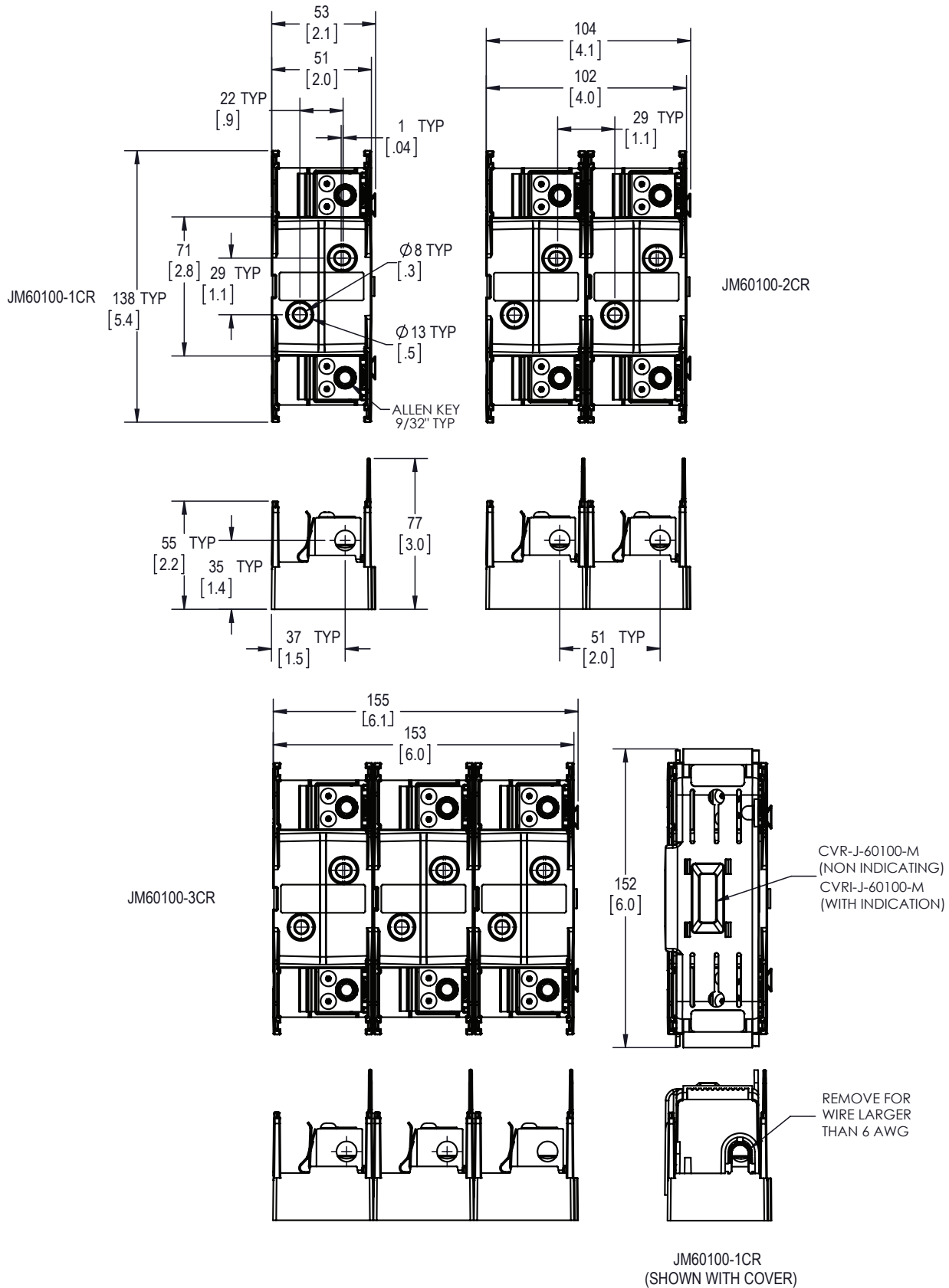
Recommended Bussmann series fuses:

Description	Amps	Data sheet no.
Ultimate protection Low-Peak® LPJ time-delay fuses	70 to 600	1007
Advanced protection Limitron™ JKS fast-acting fuses	up to 600	1026

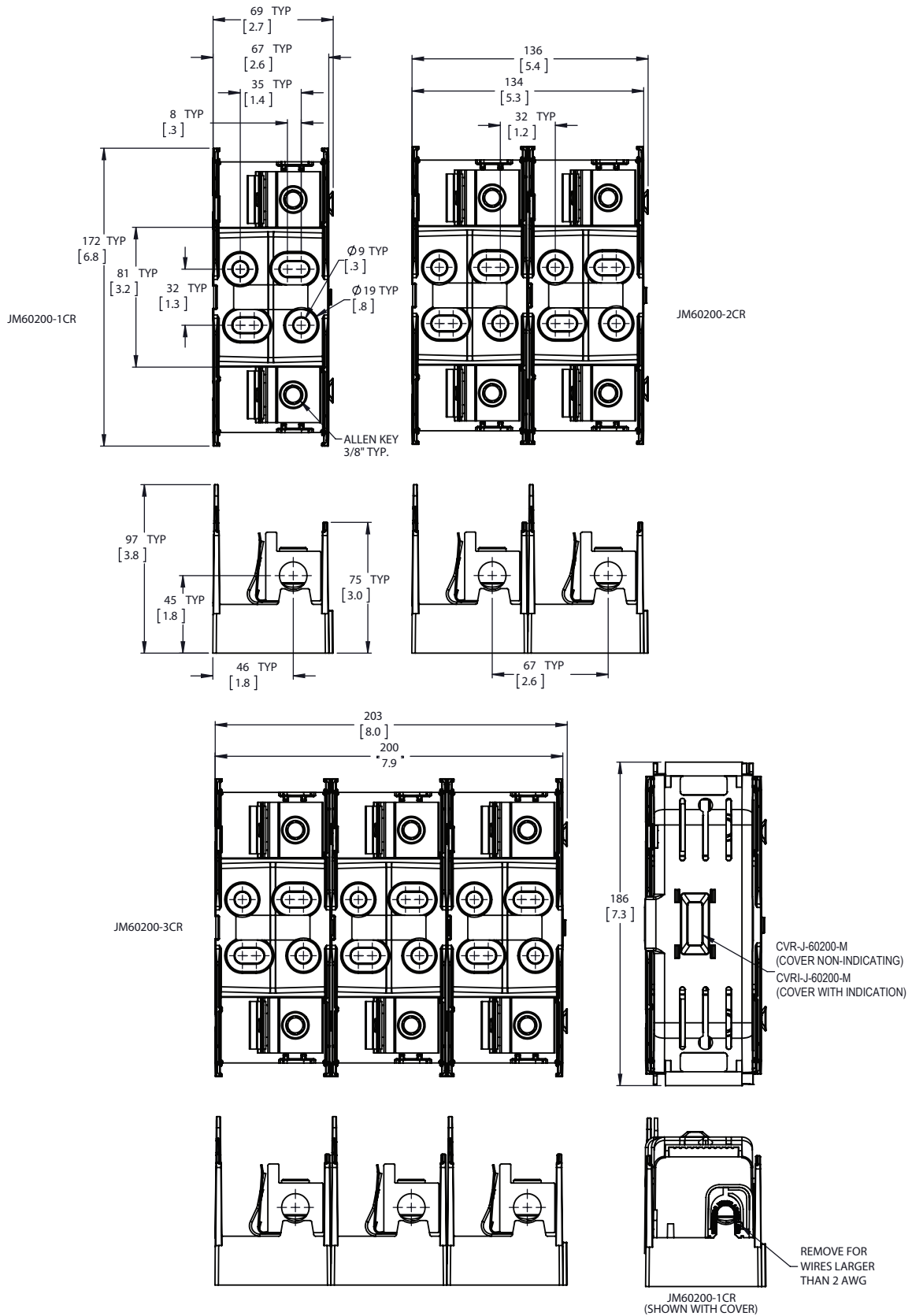


*No fuse derating necessary.

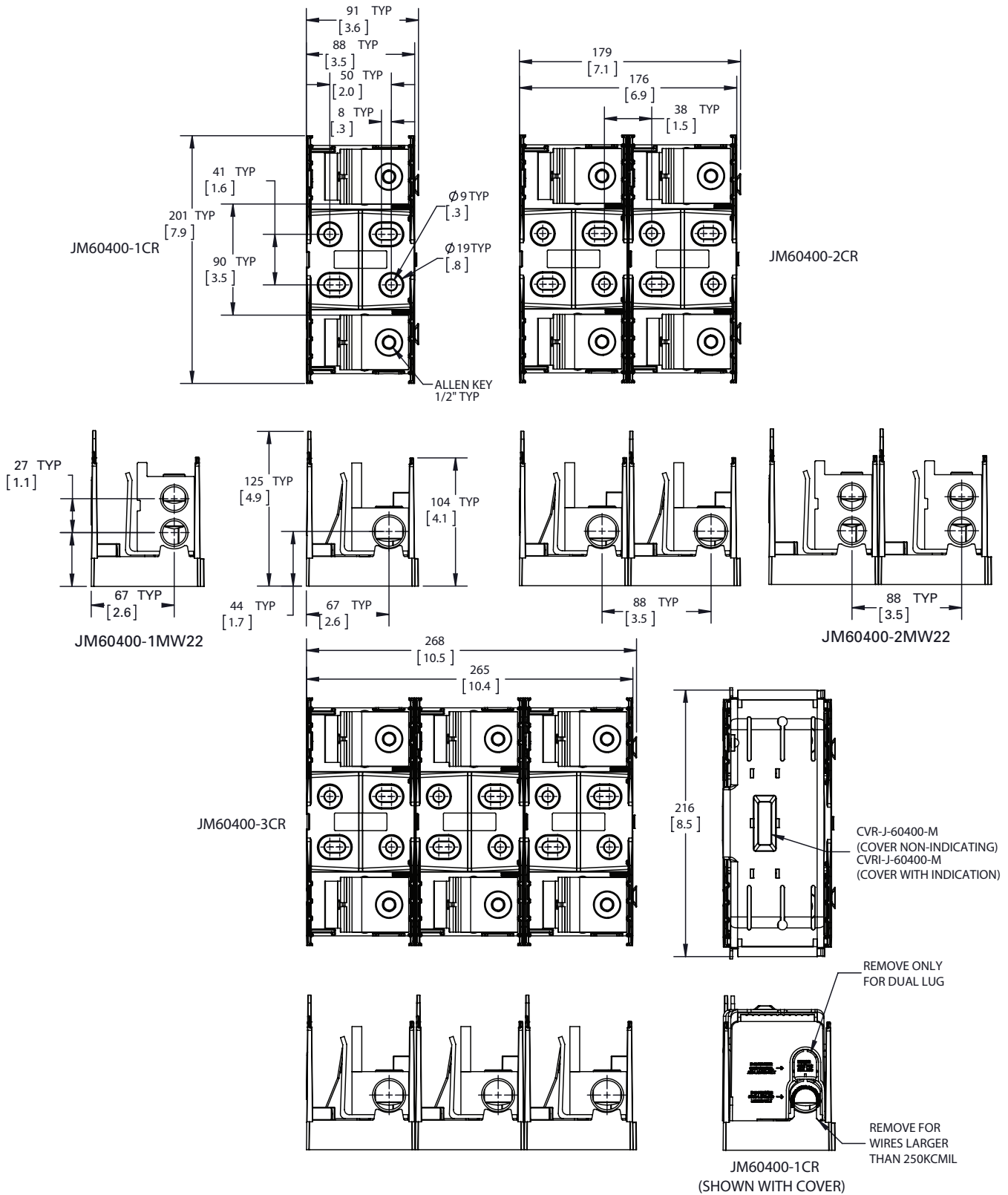
Dimensions; 100A Class J block - in (mm)



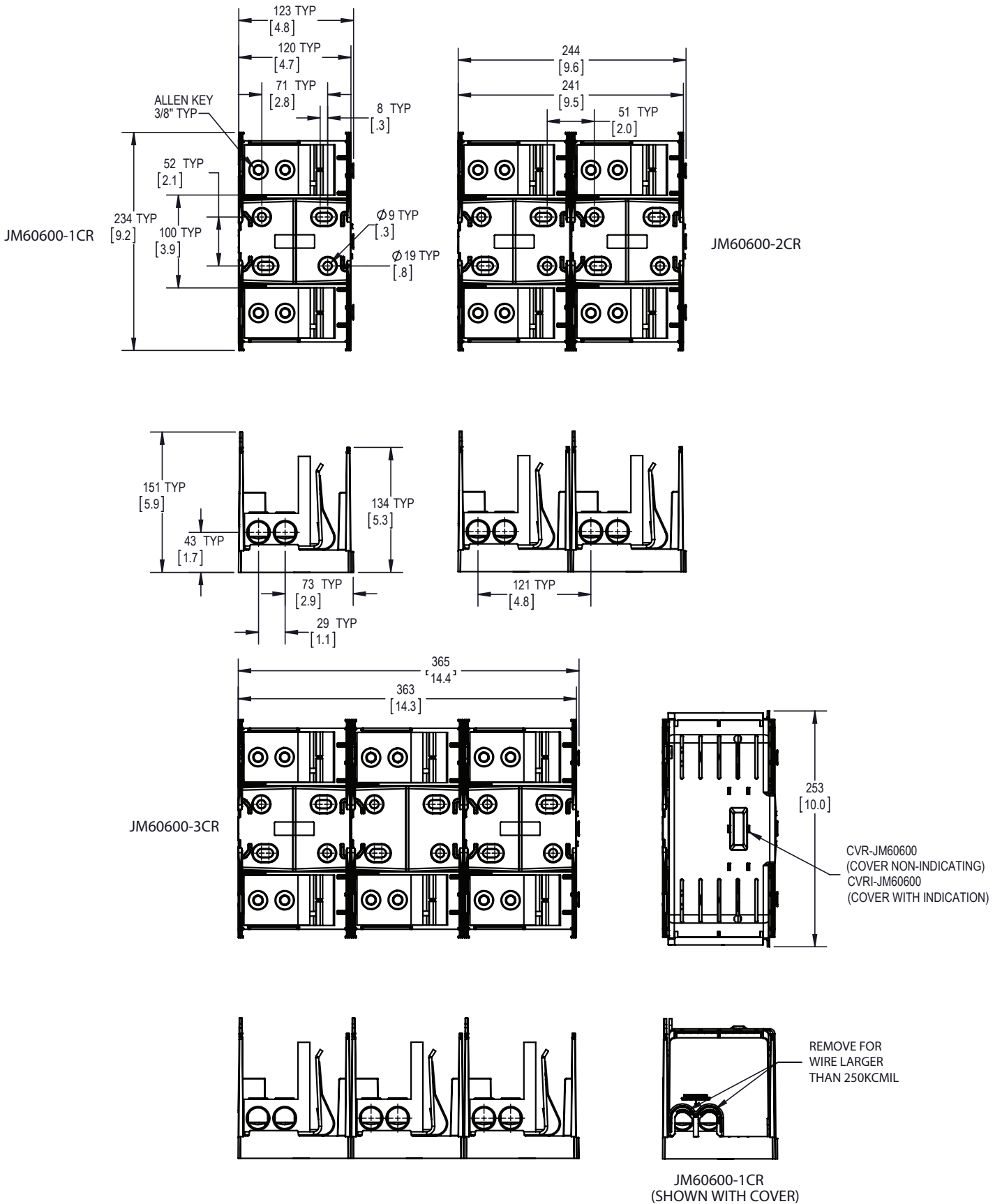
Dimensions; 200A Class J block - in (mm)



Dimensions; 400A Class J block - in (mm)



Dimensions; 600A Class J block - in (mm)



The only controlled copy of this data sheet is the electronic read-only version located on the Eaton network drive. All other copies of this document are by definition uncontrolled. This bulletin is intended to clearly present comprehensive product data and provide technical information that will help the end user with design applications. Eaton reserves the right, without notice, to change design or construction of any products and to discontinue or limit distribution of any products. Eaton also reserves the right to change or update, without notice, any technical information contained in this bulletin. Once a product has been selected, it should be tested by the user in all possible applications.

Eaton
1000 Eaton Boulevard
Cleveland, OH 44122
Eaton.com

Bussmann Division
114 Old State Road
Ellisville, MO 63021
United States
Eaton.com/bussmannseries

© 2016 Eaton
All Rights Reserved
Printed in USA
Publication No. 10488 — BU-MC16XXX
February 2016

Eaton and Bussmann are valuable trademarks of Eaton in the U.S. and other countries. You are not permitted to use the Eaton trademarks without prior written consent of Eaton.

For Eaton's Bussmann series
product information,
call **1-855-287-7626** or visit:
Eaton.com/bussmannseries

Follow us on social media to get the latest product and support information.

