

## Broadband CATV Single Ended 2-Way Active Splitter 50 - 1100 MHz

Rev. V1

### Features

- 2-Way Splitter
- Single Ended Input and Outputs
- Single +3.3 Volt Supply
- 2.8 dB Gain
- +15 dBmV /Channel Input
- 4.5 dB Noise Figure
- Lead-Free 2 mm 8-Lead PDFN Package
- Halogen-Free "Green" Mold Compound
- RoHS\* Compliant and 260°C Reflow Compatible

### Description

The MAAM-009811 CATV 2-way active splitter is a GaAs MMIC which exhibits low noise figure and distortion in a lead-free 2mm 8-lead PDFN plastic package. The design features 75  $\Omega$  inputs and outputs.

The MAAM-009811 is ideally suited for multi-tuner set top boxes, home gateways, and other broadband internet based appliances.

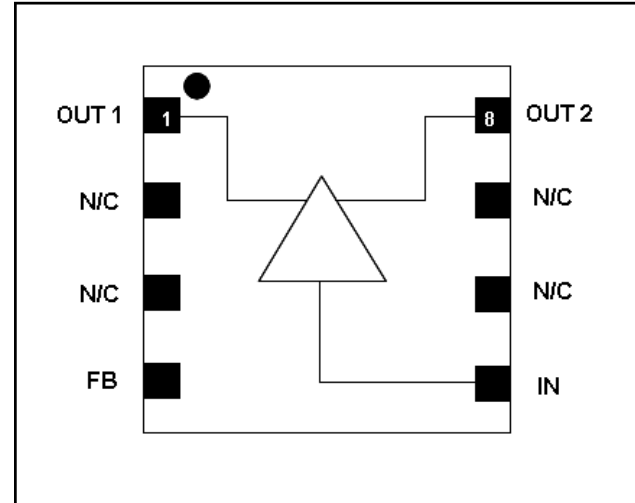
The MAAM-009811 is fabricated using M/A-COM Technology's pHEMT process to realize low noise and low distortion. The process features full passivation for robust performance and reliability.

### Ordering Information <sup>1,2</sup>

| Part Number        | Package           |
|--------------------|-------------------|
| MAAM-009811-TR1000 | 1000 piece reel   |
| MAAM-009811-TR3000 | 3000 piece reel   |
| MAAM-009811-001SMB | Sample Test Board |

1. Reference Application Note M513 for reel size information.
2. All sample boards include 5 loose parts.

### Functional Schematic



### Pin Configuration

| Pin No. | Pin Name            | Description      |
|---------|---------------------|------------------|
| 1       | OUT1                | RF Output 1      |
| 2       | N/C                 | No Connection    |
| 3       | N/C                 | No Connection    |
| 4       | FB                  | Feedback/Bias    |
| 5       | IN                  | RF Input         |
| 6       | N/C                 | No Connection    |
| 7       | N/C                 | No Connection    |
| 8       | OUT2                | RF Output 2      |
| 9       | Paddle <sup>3</sup> | RF and DC Ground |

3. The exposed pad centered on the package bottom must be connected to RF and DC ground.

\* Restrictions on Hazardous Substances, European Union Directive 2002/95/EC.

## Broadband CATV Single Ended 2-Way Active Splitter 50 - 1100 MHz

Rev. V1

**Electrical Specifications: Freq. = 1000 MHz, T<sub>A</sub> = 25°C, V<sub>DD</sub> = +3.3 Volts, Z<sub>0</sub> = 75 Ω**

| Parameter                              | Test Conditions   | Units | Min. | Typ. | Max. |
|--|---|-------|------|------|------|
| Gain                                   | IN to OUT1, IN to OUT2  | dB    | 1.5  | 2.8  | 3.5  |
| Gain Flatness                          | IN to OUT1, IN to OUT2  | dB    | —    | 0.6  | —    |
| Noise Figure                           | IN to OUT1, IN to OUT2  | dB    | —    | 4.5  | —    |
| Input Return Loss                      | IN  | dB    | —    | 12   | —    |
| Output Return Loss                     | OUT1, OUT2  | dB    | —    | 10   | —    |
| Composite Triple Beat, CTB             | 132 channels, +15 dBmV/channel at the input                               | dBc   | —    | -65  | —    |
| Composite Second Order, CSO            | 132 channels, +15 dBmV/channel at the input                               | dBc   | —    | -55  | —    |
| Reverse Isolation                      | OUT1 to IN, OUT2 to IN  | dB    | —    | 29   | —    |
| Output to Output Isolation             | OUT1 to OUT2  | dB    | —    | 22   | —    |
| Output Power at 1dB Compression, P1dB  | IN to OUT1, IN to OUT2  | dBm   | —    | 4    | —    |
| Output 3rd Order Intercept Point, OIP3 | 500 MHz, 2-tone, 6 MHz spacing,<br>-15 dBm Pout<br>IN to OUT1, IN to OUT2 | dBm   | —    | 20   | —    |
| Output 2nd Order Intercept Point, OIP2 | 500 MHz, 2-tone, 6 MHz spacing,<br>-15 dBm Pout<br>IN to OUT1, IN to OUT2 | mA    | —    | 35   | —    |
| I <sub>DD</sub>                        | V <sub>DD</sub> = +3.3 Volts  | mA    | —    | 90   | 120  |

### Absolute Maximum Ratings <sup>4,5,6</sup>

| Parameter                         | Absolute Maximum |
|-----------------------------------|------------------|
| RF Input Power                    | 12 dBm           |
| Voltage                           | 10.0 volts       |
| Operating Temperature             | -20°C to +85°C   |
| Junction Temperature <sup>7</sup> | +150°C           |
| Storage Temperature               | -65°C to +150°C  |

- Exceeding any one or combination of these limits may cause permanent damage to this device.
- M/A-COM does not recommend sustained operation near these survivability limits.
- These operating conditions will ensure MTTF > 1 x 10<sup>6</sup> hours.
- Junction Temperature (T<sub>J</sub>) = T<sub>C</sub> + Θ<sub>JC</sub> \* (V \* I)  
Typical thermal resistance (Θ<sub>JC</sub>) = 101° C/W.
  - For T<sub>C</sub> = 25°C,  
T<sub>J</sub> = 65°C @ 3.3 V, 120 mA
  - For T<sub>C</sub> = 85°C,  
T<sub>J</sub> = 123 °C @ 3.3 V, 115 mA

### Handling Procedures

Please observe the following precautions to avoid damage:

### Static Sensitivity

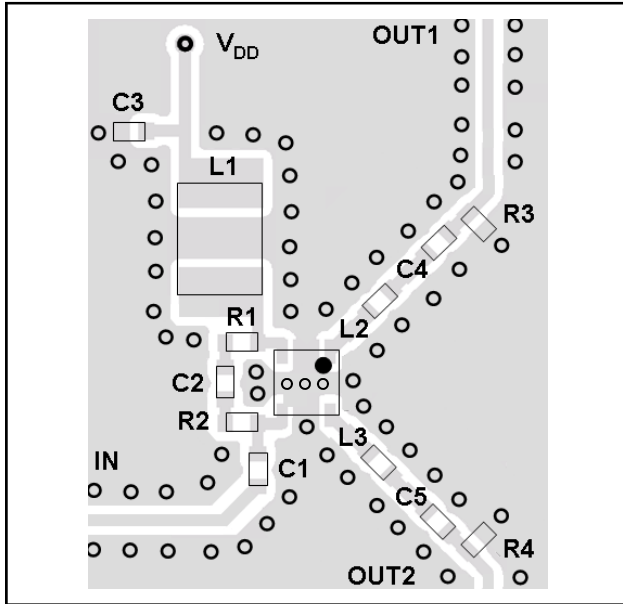
Gallium Arsenide Integrated Circuits are sensitive to electrostatic discharge (ESD) and can be damaged by static electricity. Proper ESD control techniques should be used when handling these devices. An external protection circuit using an inexpensive anti-parallel diode pair can be used to protect the IC.

Please reference application note AN3028 on <http://www.macomtech.com> for further detail.

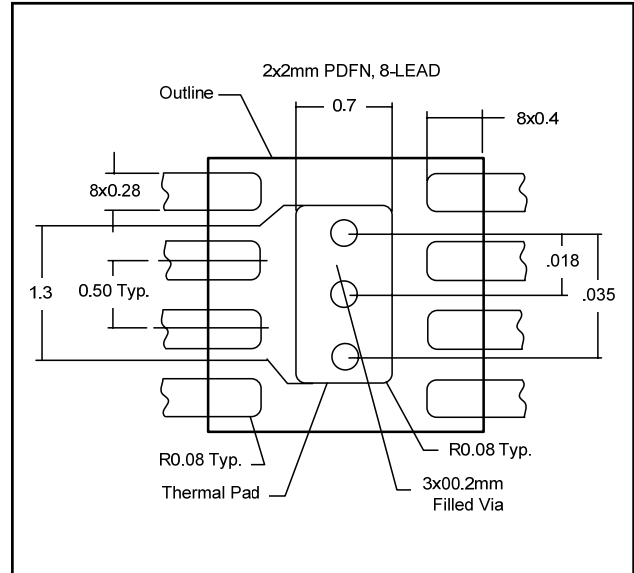
## Broadband CATV Single Ended 2-Way Active Splitter 50 - 1100 MHz

Rev. V1

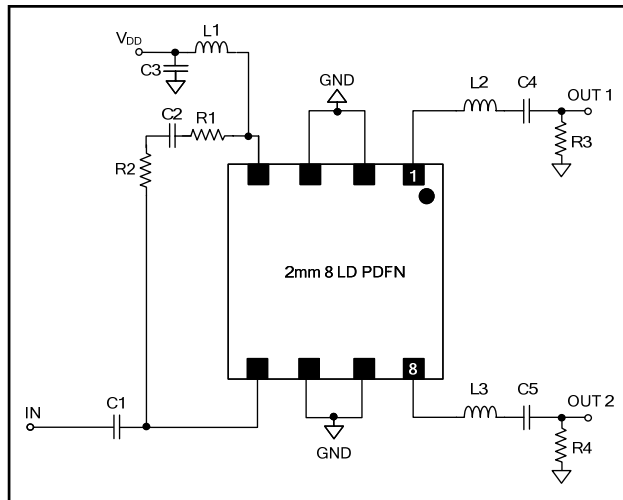
### Recommended PCB



### PCB Land Pattern



### Schematic Including Off-Chip Components<sup>8</sup>



8. The exposed pad centered on the package bottom must be connected to ground for RF, DC and thermal considerations.

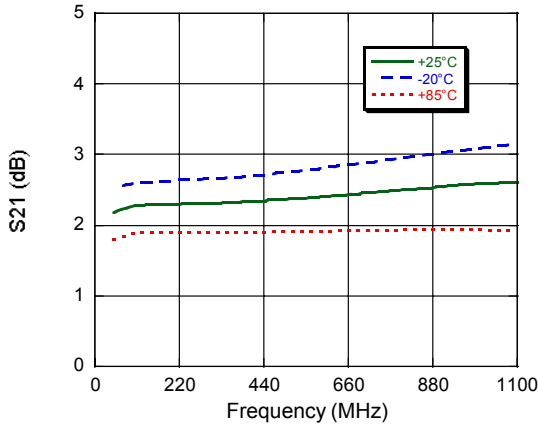
### Off-Chip Component Values<sup>9</sup>

| Component       | Value        | Package |
|-----------------|--------------|---------|
| C1 - C5         | 0.01 $\mu$ F | 0402    |
| L1 <sup>9</sup> | 1 $\mu$ H    | 1210    |
| L2, L3          | 10 nH        | 0402    |
| R1, R2          | 240 $\Omega$ | 0402    |
| R3, R4          | 300 $\Omega$ | 0402    |

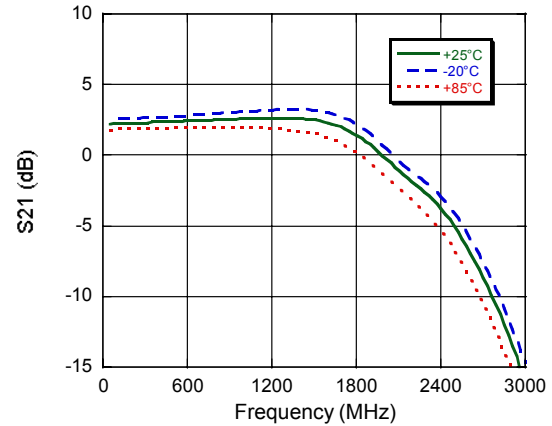
9. L1 supplied from EPCOS, part number B82422A1102K100

### Typical Performance Curves

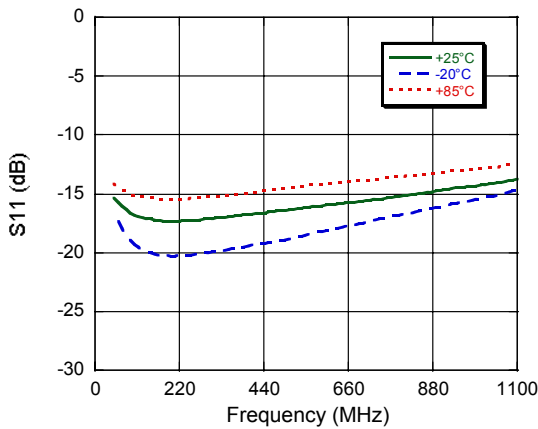
**Gain to 1100 MHz**



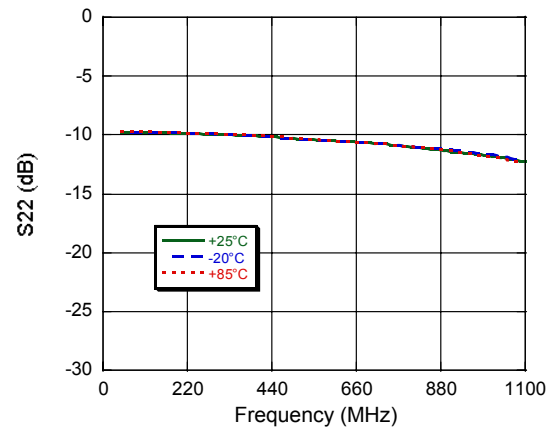
**Gain to 3000 MHz**



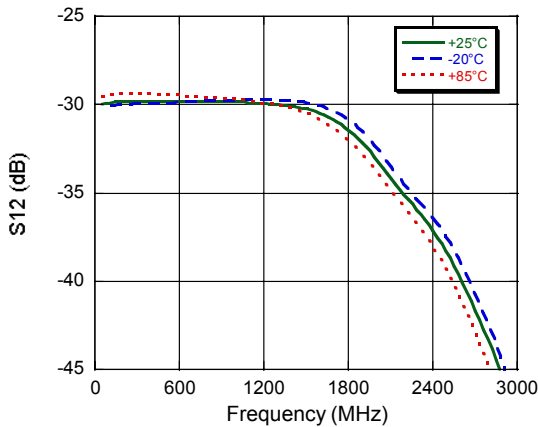
**Input Return Loss**



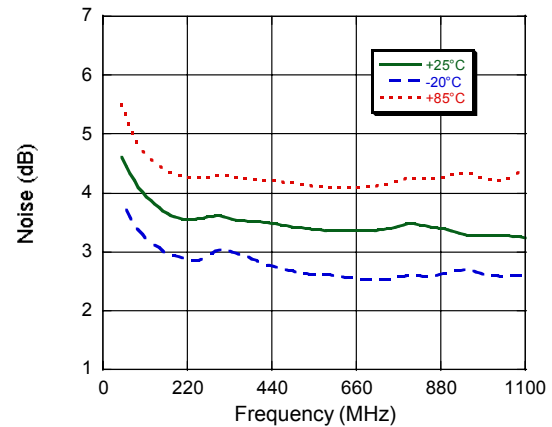
**Output Return Loss**



**Reverse Isolation to 3 GHz**



**Noise Figure**



**ADVANCED:** Data Sheets contain information regarding a product M/A-COM Technology Solutions is considering for development. Performance is based on target specifications, simulated results, and/or prototype measurements. Commitment to develop is not guaranteed.  
**PRELIMINARY:** Data Sheets contain information regarding a product M/A-COM Technology Solutions has under development. Performance is based on engineering tests. Specifications are typical. Mechanical outline has been fixed. Engineering samples and/or test data may be available. Commitment to produce in volume is not guaranteed.

• **North America** Tel: 800.366.2266 • **Europe** Tel: +353.21.244.6400  
 • **India** Tel: +91.80.43537383 • **China** Tel: +86.21.2407.1588  
 Visit [www.macomtech.com](http://www.macomtech.com) for additional data sheets and product information.

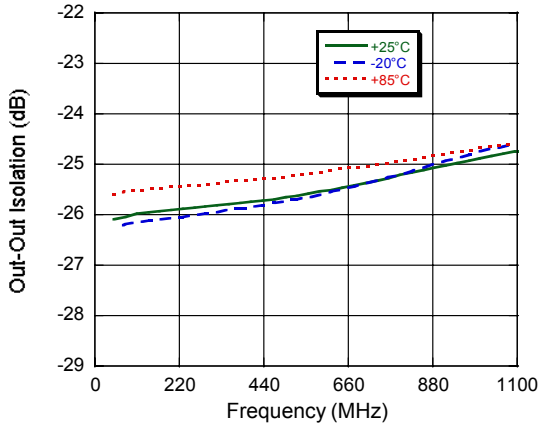
M/A-COM Technology Solutions Inc. and its affiliates reserve the right to make changes to the product(s) or information contained herein without notice.

## Broadband CATV Single Ended 2-Way Active Splitter 50 - 1100 MHz

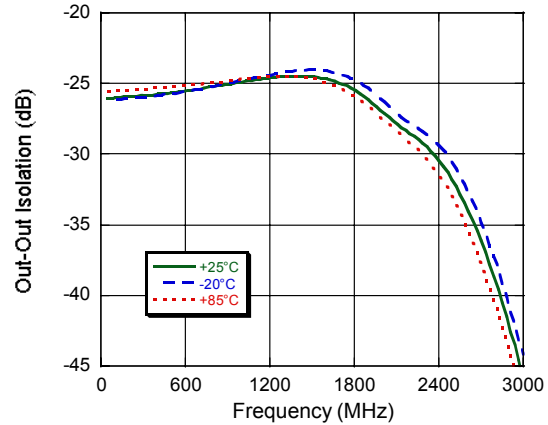
Rev. V1

### Typical Performance Curves

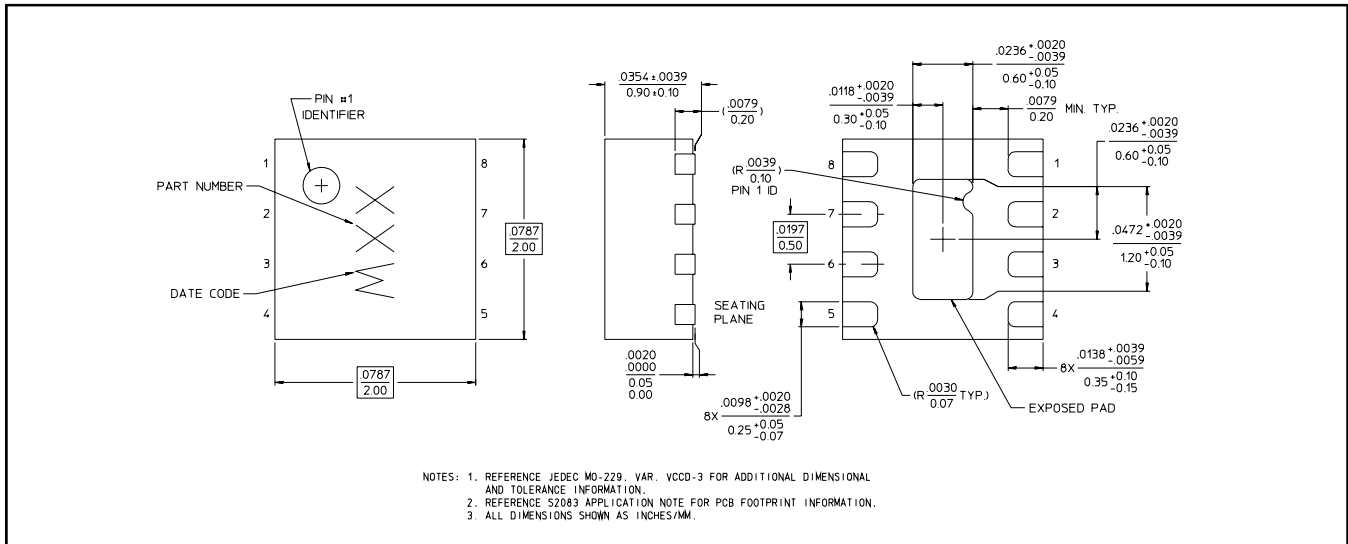
Out to Out Isolation to 1 GHz



Out to Out Isolation to 3 GHz



### Lead-Free 2 mm 8-Lead PDFN†



† Reference Application Note M538 for lead-free solder reflow recommendations.  
 Meets JEDEC moisture sensitivity level 1 requirements.  
 Plating is 100% matte tin over copper.