

RL-7900-1

COMMON MODE CHOKE COILS FOR SIGNAL LINES

DESCRIPTION

- Common Mode Choke Coils for Signal Lines

ENVIRONMENTAL DATA

- Storage temperature range: -55°C to +130°C
- Operating temperature range: -40°C to +130°C

PACKAGING INFORMATION

- Packaging information: pg. 491

FEATURES & APPLICATIONS

- Small size of 2012 Type (EIA 0805)
- Great performance in suppressing noise over high frequency
- Ferrite or ceramic body with wirewound type of construction
- Suitable for radiation noise suppression for any electronic devices
- Also used to counter common mode noise interference within high speed signal lines
- Typical applications include: USB 2.0 line, peripheral devices, and IEEE 1394 line for personal computers

Verify operation with sample in actual circuit. Order samples at www.rencousa.com.

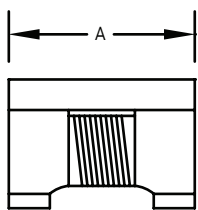
MECHANICAL DIMENSIONS

U.S. Standard (mm)

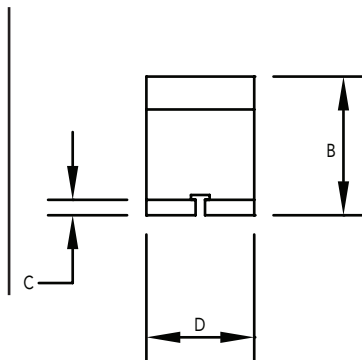
PART NUMBER	A (MAX.)	B (MAX.)	C	D (MAX.)	E	F
RL-7900-1	0.090 (2.20)	0.060 (1.40)	0.010 (0.17)	0.060 (1.40)	0.015 (0.40)	0.015 (0.40)

PART NUMBER	PART WEIGHT	G (REF.)	H (REF.)	I (REF.)	J (REF.)
RL-7900-1	0.12g (0.004oz)	0.035 (0.90)	0.017 (0.45)	0.043 (1.10)	0.015 (0.40)

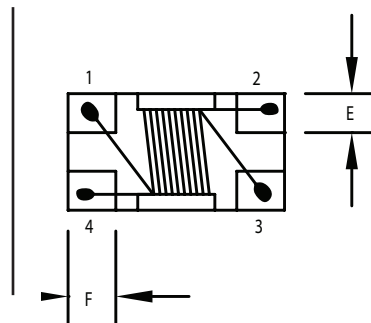
FRONT VIEW



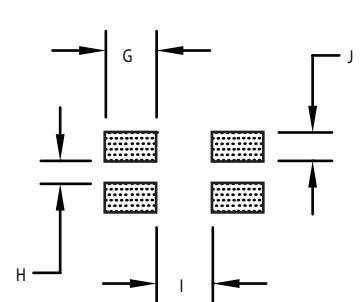
SIDE VIEW



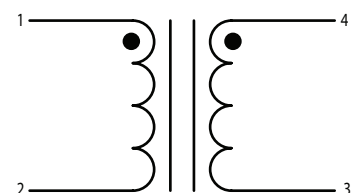
BOTTOM VIEW



RECOMMENDED LAND PATTERN



SCHEMATIC



RENCO ELECTRONICS INC.

595 International Place, Rockledge, FL 32955-4200 USA • www.rencousa.com • ISO 9001 Certified
Toll Free Engineering Hot Line: 800.645.5828 • P: 321.637.1000 • F: 321.637.1600



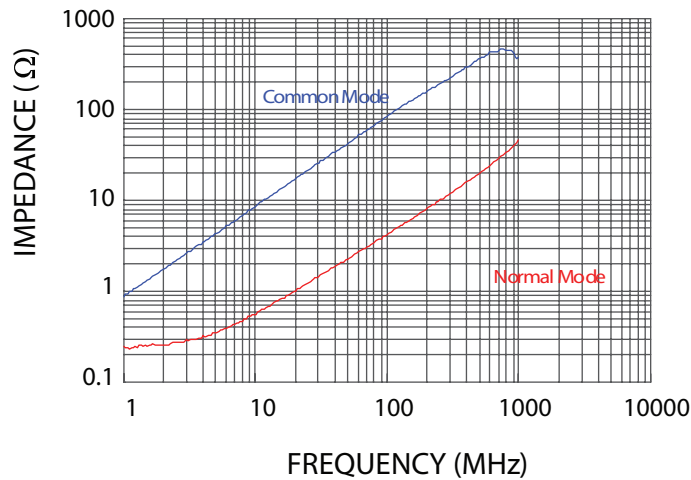
RL-7900-1

Renco Part No. RL-7900-1	Common Mode Impedance (Ohms)	Test Frequency (MHz)	DCR Max. (Ohms)	Rated Current (mA)	Rated Voltage (Vdc)	Withstand Voltage (Vdc)	IR (Ohms) Min.
RL-7900-1-90	90 ± 25%	100.0	0.30	400.0	50.0	125.0	10M
RL-7900-1-120	120 ± 25%	100.0	0.35	400.0	50.0	125.0	10M
RL-7900-1-160	160 ± 25%	100.0	0.35	350.0	50.0	125.0	10M
RL-7900-1-220	220 ± 25%	100.0	0.40	300.0	50.0	125.0	10M
RL-7900-1-370	370 ± 25%	100.0	0.50	100.0	50.0	125.0	10M

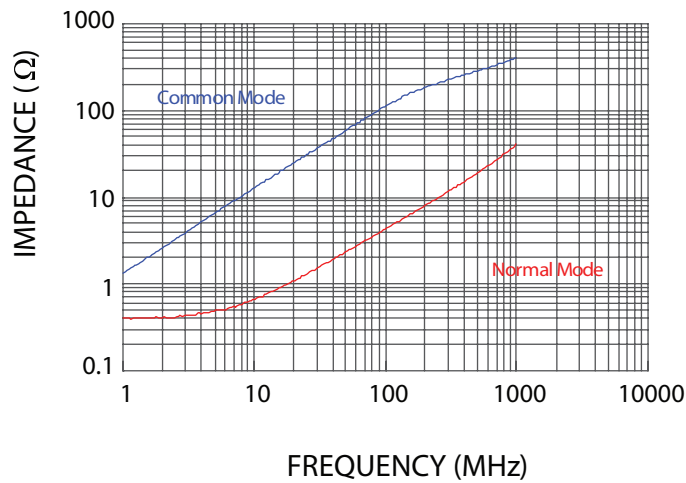
NOTES:

1. ELECTRICAL SPECIFICATIONS MEASURED AT 25°C

RL-7900-1-90

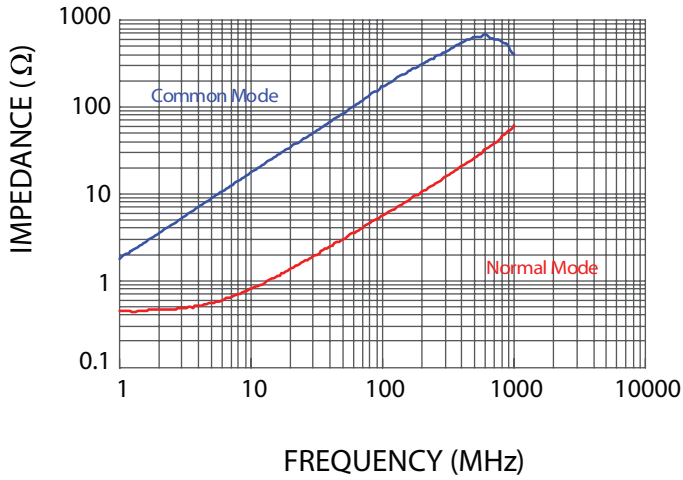


RL-7900-1-120

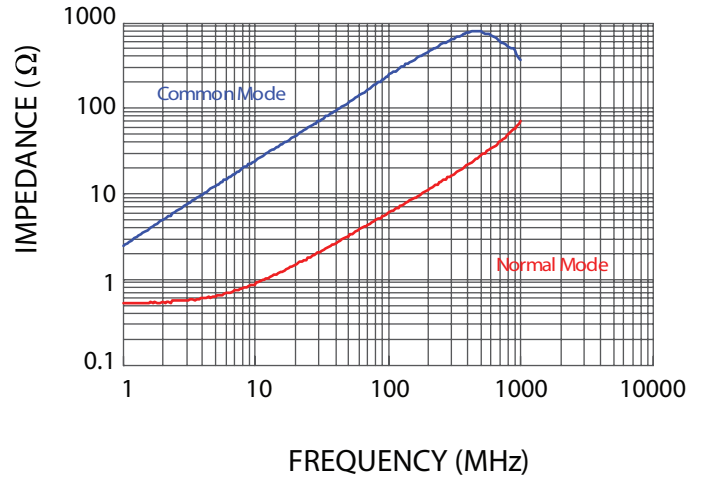


RL-7900-1

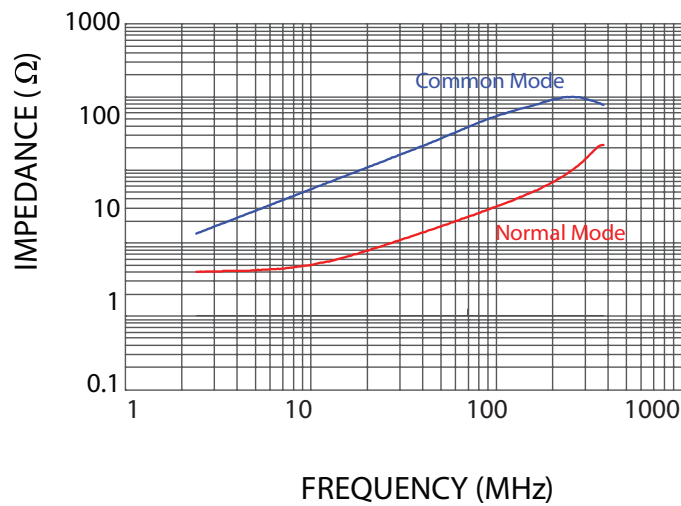
RL-7900-1-160



RL-7900-1-220



RL-7900-1-370



RENCO ELECTRONICS INC.

595 International Place, Rockledge, FL 32955-4200 USA • www.rencousa.com • ISO 9001 Certified
Toll Free Engineering Hot Line: 800.645.5828 • P: 321.637.1000 • F: 321.637.1600

