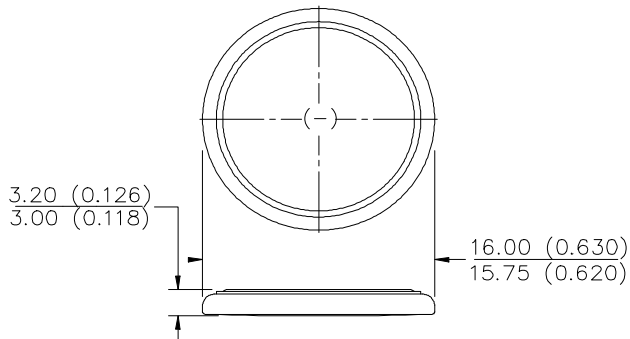


ENERGIZER NO. CR1632



Industry Standard Dimensions in mm (inches)



Chemical System: Lithium / Manganese Dioxide (Li/MnO₂)

Battery Voltage: 3.0 Volts
Average Weight: 1.8 grams (0.06 oz.)
Volume: 0.5 cubic centimeters (0.03 cubic inch)
Average Capacity: 130 mAh to 2.0 volts
 (Rated at 15k ohms continuous at 21°C)

Maximum Reverse Charge Current: 1 microampere
Energy Density: 209 milliwatt hr/g, 754 milliwatt hr/cc

TYPICAL DISCHARGE CURVE
 Simulated Test @ 21°C (70°F)



Simulated Application Test
 Estimated Average Service at 21°C (70°F)

Schedule:	Typical Drains at 2.9V (microamperes)	Load (ohms)	Cutoff Voltage
			2.0V
24 hours/day	190	15,000	710 Hours

Important Notice

This data sheet contains information specific to batteries manufactured at the time of its publication.

Contents herein do not constitute a warranty.

Copyright © Eveready Battery Co. Inc. - All Rights Reserved