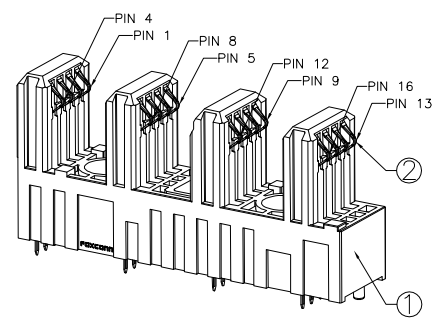
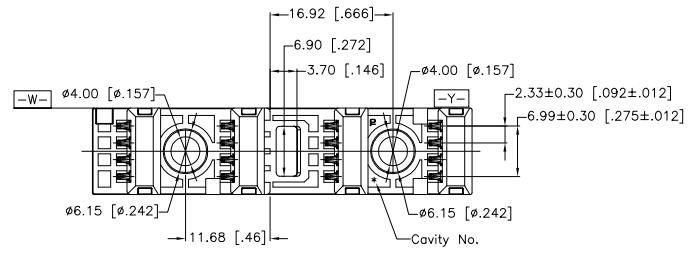


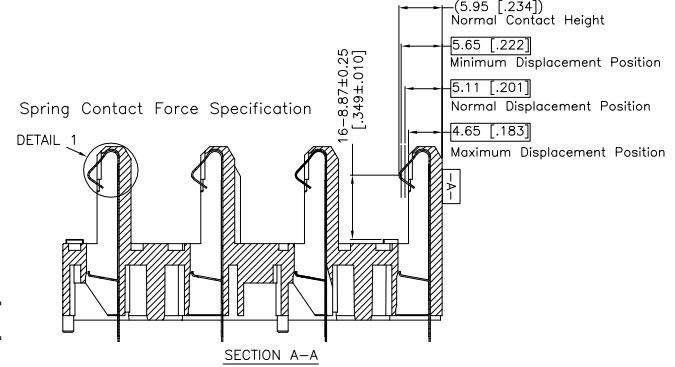
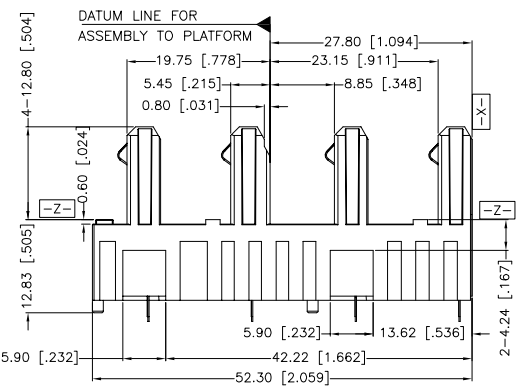
REV	ECN. NO.	APPD.
A	BC-15-0018912	ADWARD



PRODUCT NO.: 2EZ 0 0 1 6 1-PH2-4 F

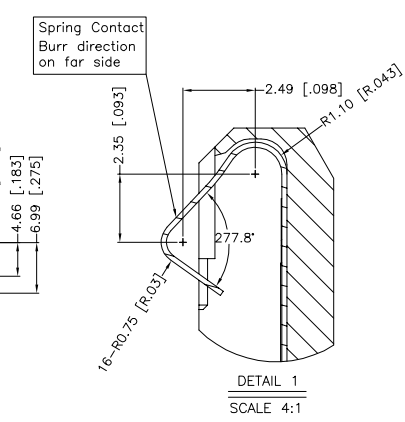
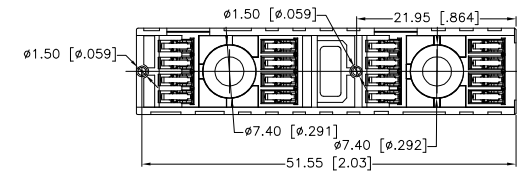
Series Prefix: 2EZ: POGO TYPE
Termination Type: 0: Vertical
Connector Type: 0: Male
No. of Contact: 16: 16 PIN

Lead Free Code: F: Lead Free
Package Code: 4: Tray Package
Extension Code:
Contact Area Plating: 0.08um Min. Gold Plated

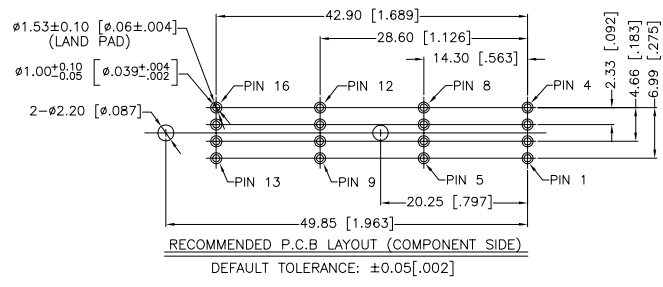


Spring Contact Force and Displacement

Contact Displacement	Displacement Amount	Contact Force Specification
Minimum Displacement	5.65mm From DATAM-A	0.1 to 0.8 Newton at MIN. Displacement Position
Normal Displacement	5.11mm From DATAM-A	
Maximum Displacement	4.65mm From DATAM-A	



- NOTES :
- DIMENSIONS ARE IN MILLIMETERS, BRACKETED DIMENSIONS ARE INCHES EQUIVALENTS.
 - OPERATING TEMPERATURE : -40°C ~ +85°C, HUMIDITY: 85% RH MAX.
 - RECOMMENDED PROCESS: WAVE SOLDER, PEAK TEMPERATURE: 260±5°C 5~10S.
 - THE CONNECTOR IS ROHS COMPLIANT.



2	CONTACT	16	COPPER ALLOY	0.08um MIN. GOLD PLATED AT CONTACT AREA, LEAD FREE TIN ALLOY AT TERMINATION, NICKEL UNDERPLATING OVER ALL.	
1	HOUSING	1	PBT RESIN	MOLDED COLOR:BLUE	
ITEM	DESC.	Q'TY	MATERIAL	TREATMENT	
X.±	X°.± 1°	UNITS mm		NAME(INTENDED USE)	
.X± 0.20[.008]	.X°.± 1°	MAT'L N/A		CUSTOMER	
.XX± 0.10[.004]	.XX°.±	FINISH N/A		PART NO.(INTENDED USE)	
.XXX±	.XXX°.±	Q'TY N/A		APPD: Dean Zhang 4/23'15	
THESE DRAWINGS AND SPECIFICATIONS ARE THE PROPERTY OF FOXCONN INTERCONNECT TECHNOLOGY LIMITED, AND SHALL NOT BE REPRODUCED COPIED OR USED IN ANY MANNER WITHOUT THE PRIOR WRITTEN CONSENT OF FOXCONN INTERCONNECT TECHNOLOGY LIMITED.				CLASS: <input type="checkbox"/> CONFIDENTIAL <input type="checkbox"/> SECRET <input checked="" type="checkbox"/> GENERAL	
				TITLE: STACK ACUMEN 16PIN CONN.	
				DWG NO.: 303-0000-3188	
CHKD: David Wang 4/23'15				SCALE SHEET REV.	
DR: Scott Wang 4/23'15				N/A 1/1 A	