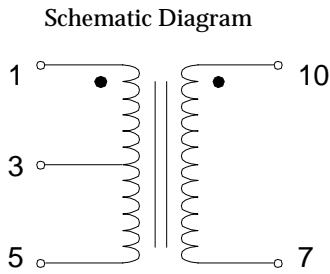
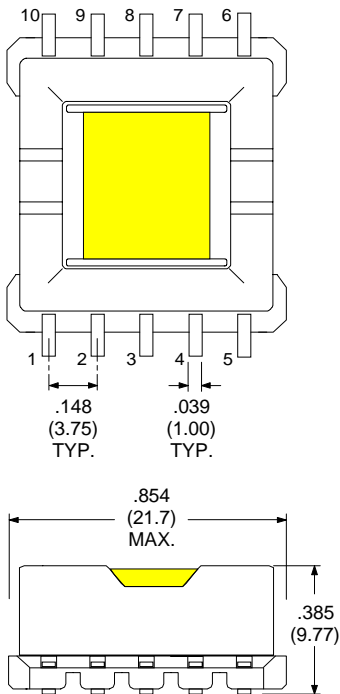


PUSH PULL Transformer

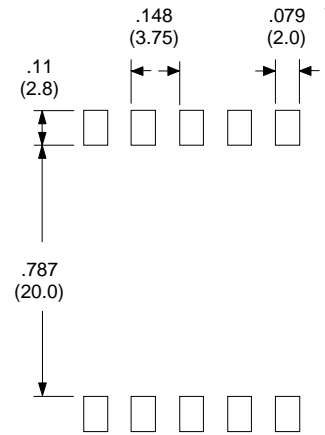
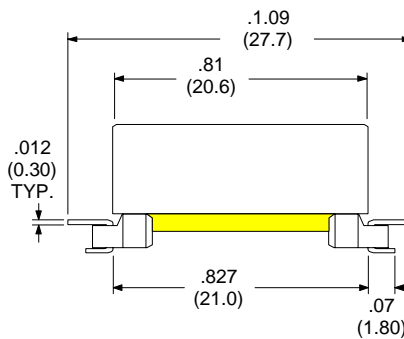


Parameter	Min.	Nom.	Max.	Units
Turns Ratio (1-5) : (10-7)	1 : 4.75	1 : 5	1 : 5.25	
Primary Inductance Pins 1-5, All others windings open		550		μH
Leakage Inductance ⁽¹⁾		0.6		μH
Interwinding Capacitance ⁽²⁾		116		pF
Resistance pins (1-5)		0.11		ohms
Resistance pins (10-7)		2.3		ohms
Isolation (Hi-Pot)	1000			V_{RM}
Operating Frequency		45		kHz
Current Rating (Primary Side)			500	mA

1. Pins 1-5, with 10-7 Shorted
2. Pins 1-10, All others open



Physical Dimensions inches (mm)



Suggested Solder Pad Layout

RHOMBUS P/N: T-1183

CUST P/N:

NAME:

DATE: 01/06/99

SHEET: 1 of 1