

# Delta PMC Series

35-150 WATTS - PANEL MOUNT POWER SUPPLY

## FEATURES

- 35W to 150W
- Panel Mounted
- Corrosion Resistant
- Aluminum Chassis
- Harmonic IEC/EN 61000-3-2 Class A
- Safety IEC/EN/UL 60950-1
- EMI EN55022 Class B
- Op Temp -10 to +70C
- MTBF 700000 hrs
- Industrial Control



## SPECIFICATIONS

### INPUT

Input voltage	85-264Vac (DC input range 125-375Vdc)	
Input frequency	47-63Hz	
Input Current	PMC35: 0.5A @ 230Vac PMC50: 0.7A @ 230Vac PMC75: 1.0A @ 230Vac PMC100: 1.1A @ 230Vac PMC150: 2.0A @ 230Vac	
Leakage current	<1mA @ 240Vac	

### OUTPUT

Output Voltage	12Vdc	24Vdc
Voltage Range	12V - 11-14Vdc	24V - 22-28Vdc
Output Current	See Selection Table.	
Output Power	See Selection Table.	
Hold-up time	> 80ms @230Vac.	
Line regulation	<0.5% typ. (@ 85-264Vac input, 100% load)	
Load regulation	<1% typ. (@ 85-264Vac input, 0-100% load)	
Efficiency	> 85.0%	

### PROTECTIONS

Overvoltage	16V & 32V+10% SELV Output, Hiccup Mode, Non-Latching (Auto-Recovery)
Overload/Overcurrent	> 120% of rated load current, Hiccup Mode, Non-Latching (Auto-Recovery)
Over Temperature	> 75C Surrounding Air Temperature @ 100% load, Latch-off Mode
Short Circuit	Hiccup Mode, Non-Latching (Auto-Recovery) when the fault is removed)
Protection against Shock	Class 1 with Primary Earth connection
MTBF	> 700,000 hrs as per Telcordia SR-332

### MECHANICAL

Dimensions	PMC35: 128 x 97 x 38mm, 0.24Kg PMC50: 128 x 97 x 38mm, 0.26kg PMC75: 128 x 97 x 38mm, 0.30kg PMC100: 158 x 97 x 38mm, 0.41kg PMC150: 178 x 97 x 38mm, 0.48kg
Case Material	Aluminium
Cooling system	Convection
Indicator	Green LED (DC OK)

### ENVIRONMENT

Operating temperature	-10°C to + 70°C
Storage temperature	-25°C to + 85°C
Power de-rating	>50°C (2.5% / °C)
Operating humidity	<95% RH (Non-condensing)
Shock Test	IEC60068 -2- 27, 30G (300m/s) for a duration of 18ms
Operating altitude	3,000m

# Delta PMC Series

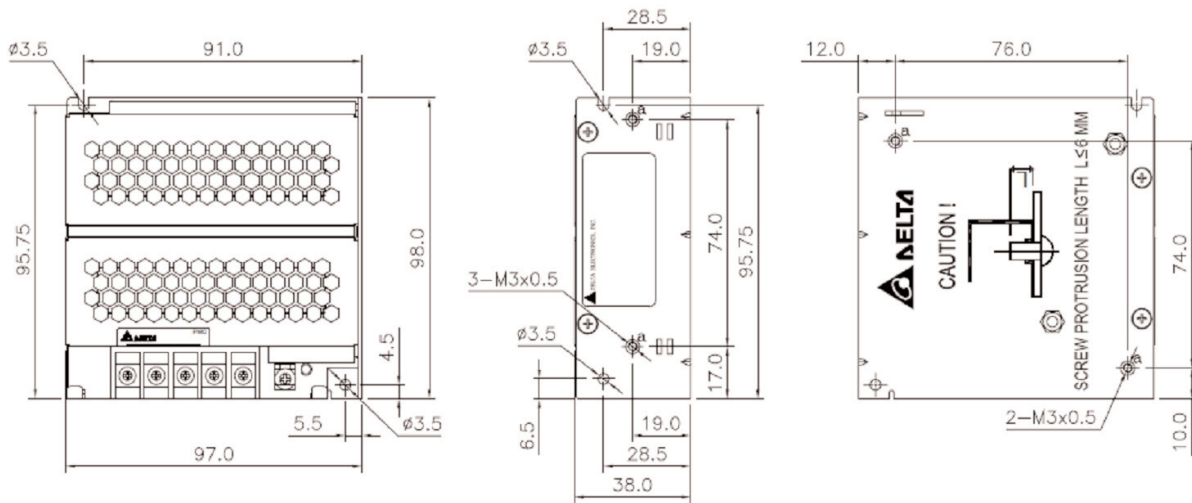
35-150 WATTS - PANEL MOUNT POWER SUPPLY

## SELECTION TABLE

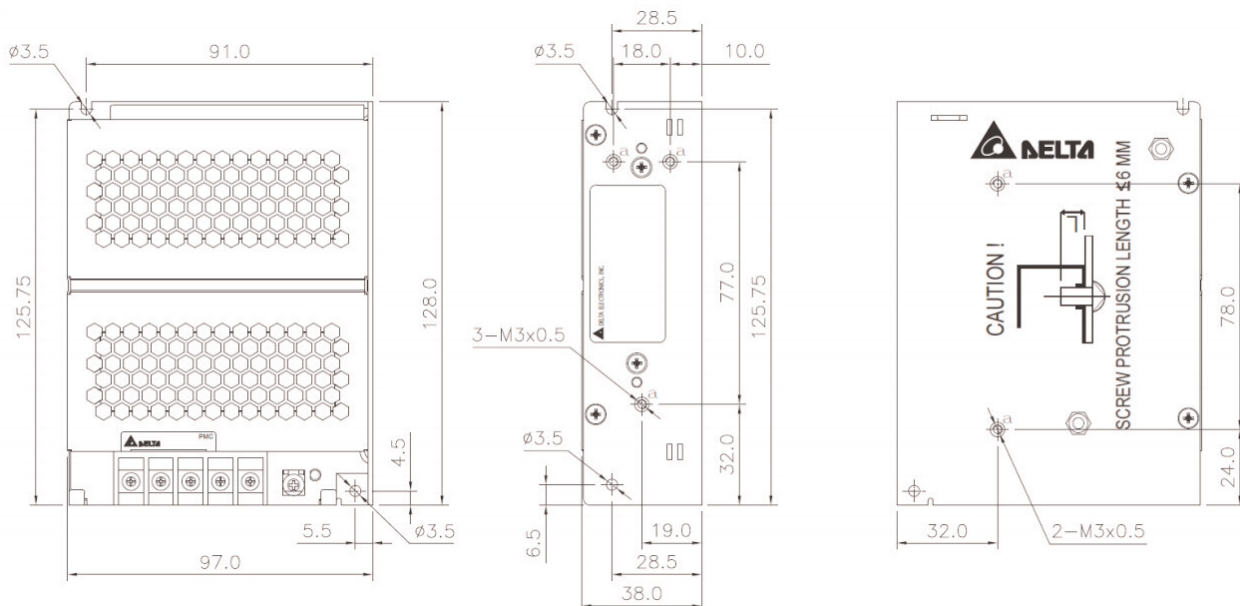
MODEL NUMBER	OUTPUT VOLTAGE	OUTPUT CURRENT	OUTPUT POWER
PMC-12V035W1AA	12Vdc	3.00A	35W
PMC-12V050W1AA	12Vdc	4.17A	50W
PMC-12V100W1AA	12Vdc	8.33A	100W
PMC-12V150W1BJ	12Vdc	12.5A	150W
PMC-24V050W1AA	24Vdc	2.10A	50W
PMC-24V100W1AA	24Vdc	4.17A	100W
PMC-24V150W1AA	24Vdc	6.25A	150W

## TECHNICAL ILLUSTRATIONS

### 35 W Models



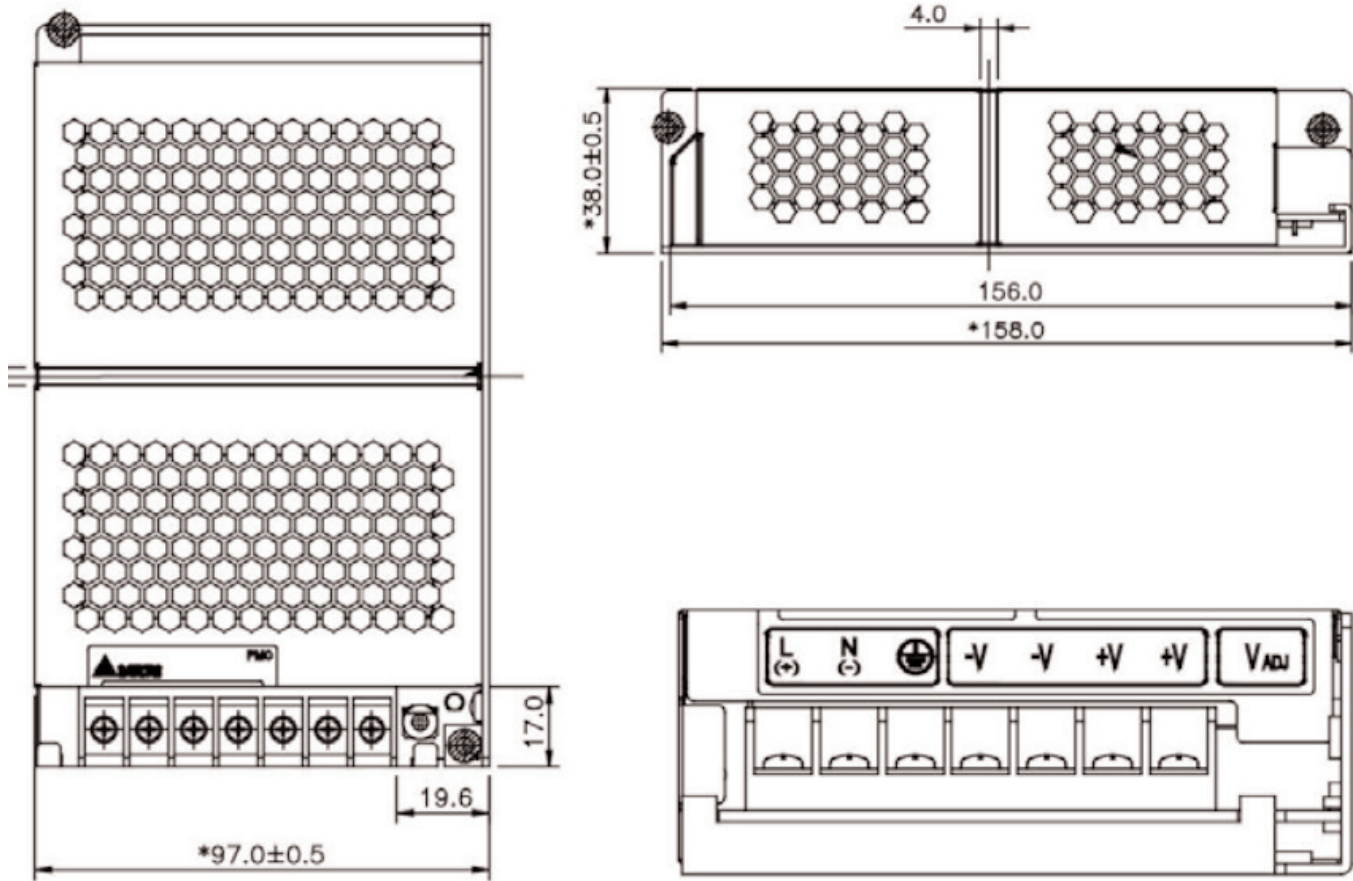
### 50 W Models



# Delta PMC Series

35-150 WATTS - PANEL MOUNT POWER SUPPLY

## 100 W Models



## 150 W Models

