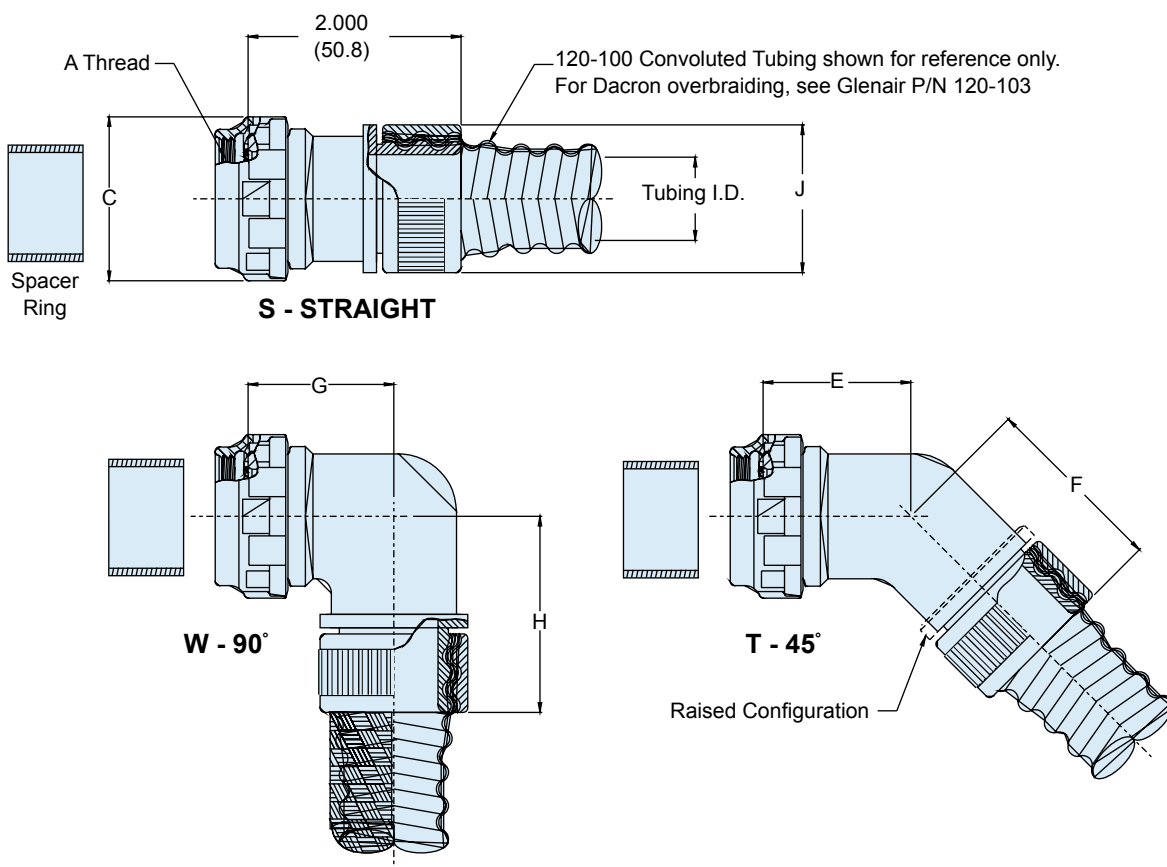
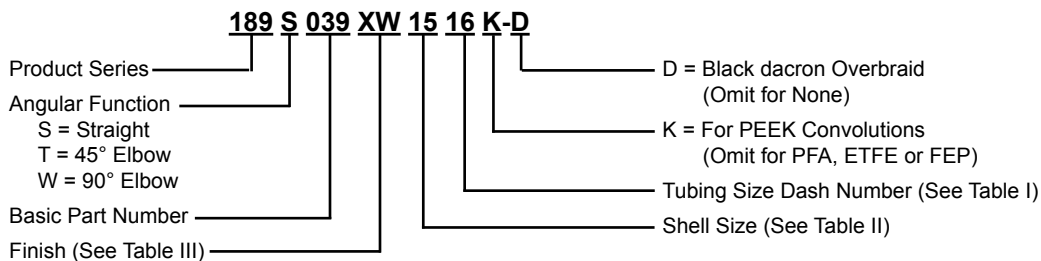


189-039 Composite Connector Backshell Adapter for MIL-PRF-28876 Fiber Optic Connectors Straight, 45° and 90°



APPLICATION NOTES

- | | |
|--|--|
| <p>1. Metric dimensions (mm) are in parentheses and are for reference only.</p> <p>2. Material:
 Adapter, Coupling and Compression Nuts - High-Grade Engineering Thermoplastic.
 O-Ring - Fluorosilicone or Silicone.
 Anti-Rotation Device: Corrosion Resistant Material.</p> | <p>3. Unless otherwise specified, the backshell body to be supplied finished per Table III. All other components to be supplied without plating.</p> <p>4. CAUTION: Style T 45° and Style W 90° low profile elbows may cause signal loss due to abrupt bend radius. Suggest using 189-010, 1.0 R Style elbows where possible.</p> <p>5. Spacer Ring packaged loose with backshell. Install ring against connector insert prior to coupling backshell.</p> |
|--|--|

189-039
Composite Connector Backshell Adapter for
MIL-PRF-28876 Fiber Optic Connectors
Straight, 45° and 90°



TABLE I: TUBING SIZE

Dash No.	Conduit I.D.	J Dia Max
06	.188 (4.8)	.790 (20.1)
09	.281 (7.1)	.985 (25.0)
10	.312 (7.9)	.985 (25.0)
12	.375 (9.5)	1.035 (26.3)
14	.437 (11.1)	1.100 (27.9)
16	.500 (12.7)	1.160 (29.5)
20	.625 (15.9)	1.285 (32.6)
24	.750 (19.1)	1.480 (37.6)
28	.875 (22.2)	1.670 (42.4)
32	1.000 (25.4)	1.720 (43.7)
40	1.250 (31.8)	2.100 (53.3)
48	1.500 (38.1)	2.420 (61.5)

TABLE II: SHELL SIZE

Shell Size	A Thread Class 2B	E ±.060 (1.5)	F ±.090 (2.3)	G ±.060 (1.5)	H ±.090 (2.3)	Tubing Size Max
11	3/4-20 UNEF	.750 (19.1)	1.020 (25.9)	.810 (20.6)	1.220 (31.0)	16
13	7/8-20 UNEF	.760 (19.3)	1.050 (26.7)	.880 (22.4)	1.290 (32.8)	20
15	1-20 UNEF	.780 (19.8)	1.070 (27.2)	.940 (23.9)	1.350 (34.3)	24
23	1 7/16-18 UNEF	.890 (22.6)	1.180 (30.0)	1.190 (30.2)	1.730 (43.9)	40

TABLE III: FINISH

SYM	MATERIAL	FINISH
XM	Composite	Electroless Nickel
XW	Composite	Cadmium O.D. Over Electroless Nickel
XO	Composite	No Plating—Base