

Other Pin Header : 2mm pitch

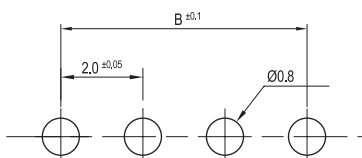
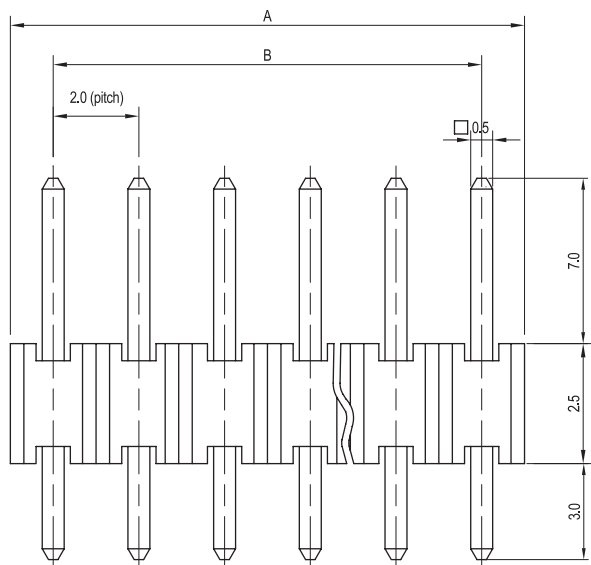
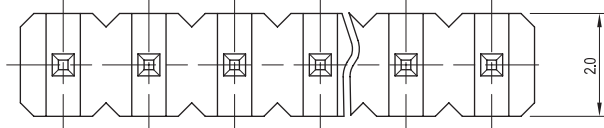
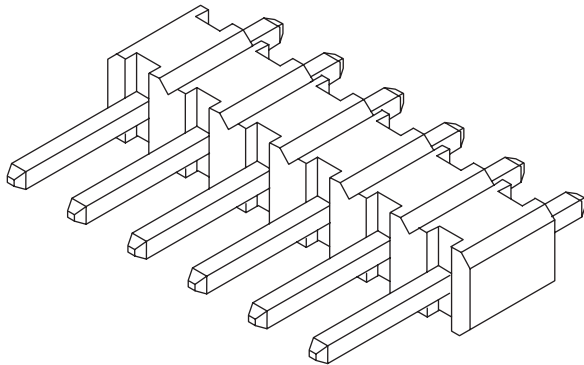


**Board-to-Board
Wafer**

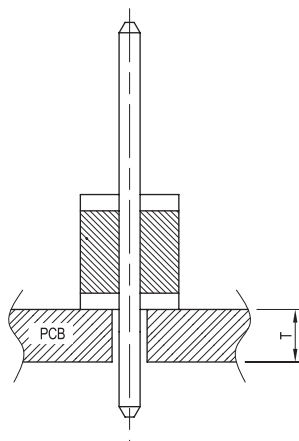
YFW200 Series

DIP

Straight



PCB LAYOUT



Material

I/NO	DESCRIPTION	TITLE	MATERIAL
1	BODY	YFW200	PA66, UL94 V-O
2	PIN		Brass & Tin-Plated

Available Pin

PARTS NO.	DIM. A	DIM. B
YFW200-02	4.0	2.0
YFW200-03	6.0	4.0
YFW200-04	8.0	6.0
YFW200-05	10.0	8.0
YFW200-06	12.0	10.0
YFW200-07	14.0	12.0
YFW200-08	16.0	14.0
YFW200-09	18.0	16.0
YFW200-10	20.0	18.0
YFW200-11	22.0	20.0
YFW200-12	24.0	22.0
YFW200-13	26.0	24.0
YFW200-14	28.0	26.0
YFW200-15	30.0	28.0
YFW200-16	32.0	30.0
YFW200-17	34.0	32.0
YFW200-18	36.0	34.0
YFW200-19	38.0	36.0
YFW200-20	40.0	38.0
YFW200-21	42.0	40.0
YFW200-22	44.0	42.0
YFW200-23	46.0	44.0
YFW200-24	48.0	46.0
YFW200-25	50.0	48.0
YFW200-26	52.0	50.0
YFW200-27	54.0	52.0
YFW200-28	56.0	54.0
YFW200-29	58.0	56.0
YFW200-30	60.0	58.0
YFW200-31	62.0	60.0

Specification

ITEM	SPEC
Voltage Rating	AC/DC 250V
Current Rating	AC/DC 2A
Operating Temperature	-25°C~+85°C
Contact Resistance	-
Withstanding Voltage	AC500V/1min
Insulation Resistance	1000MΩ MIN
Applicable Wire	-
Applicable P.C.B	1.2~1.6mm
Applicable FPC/FFC	-
Solder Height	-
Crimp Tensile Strength	-
UL FILE NO	-