

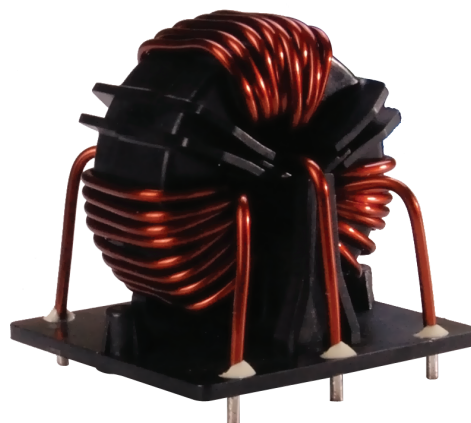
Model:LB231-16-13H

Characteristics:

It is used for switching power supply, suppressing common mode interference signal.

Technical index:

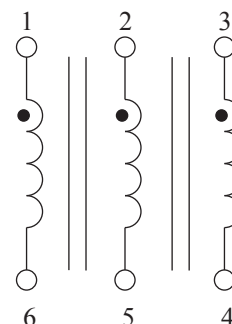
- Installation method: PCB
- Flame resistance: UL94-V0
- Operating temperature: $-20^{\circ}\text{C} \sim +100^{\circ}\text{C}$
- Storage temperature: $-40^{\circ}\text{C} \sim +100^{\circ}\text{C}$
- Frequency range: DC \sim 400Hz
- Dielectric strength: 2.5KV/1min (between two coils)



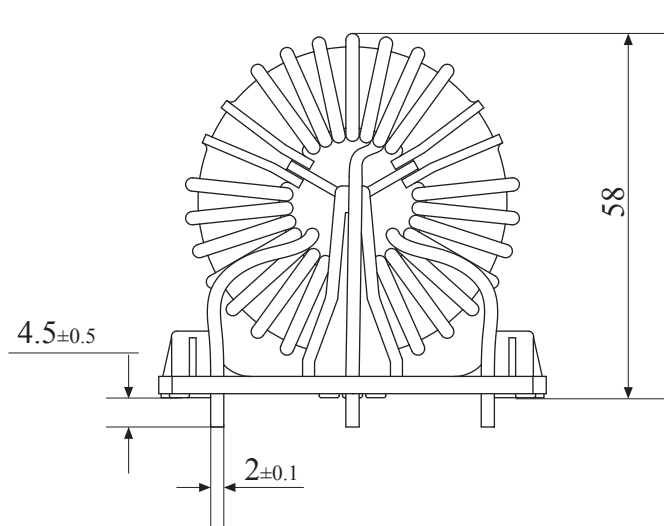
Electrical parameters:

Rated current	16	A
Inductance 1KHz,0.3V	1.3	mH
Inductance error	-30 \sim +50	%
DC resistance	5.7	m Ω
Maximum operating voltage	600V AC 1000V DC	
Weight	167	g

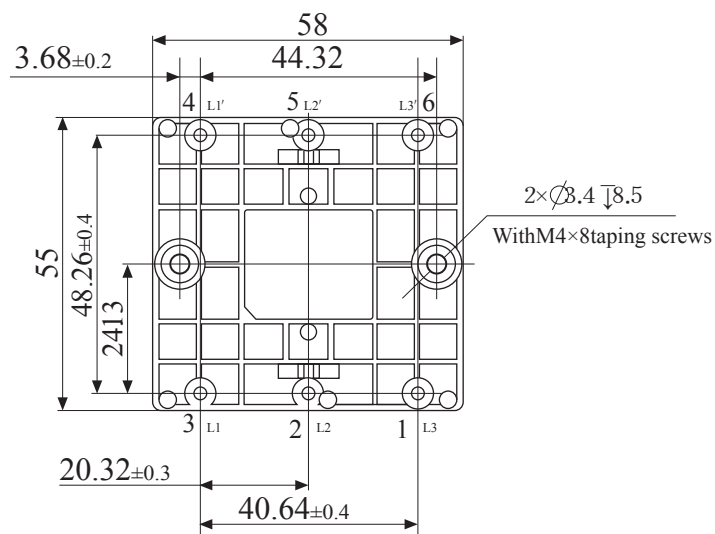
Schematic wiring diagram:



Dimensions(in mm):



Front View



Bottom View