



MBR20150C

Preliminary

DIODE

SCHOTTKY BARRIER RECTIFIER

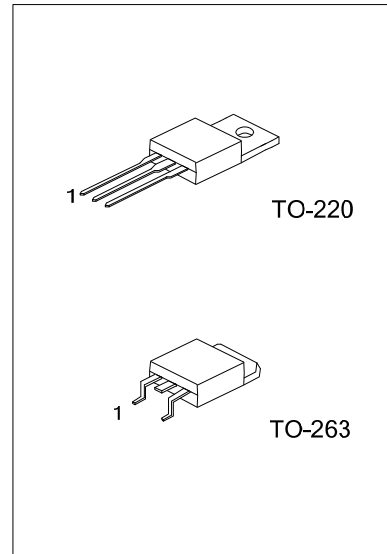
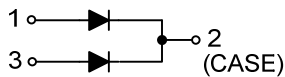
DESCRIPTION

The UTC **MBR20150C** is a Schottky Barrier Rectifier with high junction temperature capacity.

FEATURES

- * Good trade off between leakage current and forward voltage drop
- * High junction temperature capability
- * Low leakage current

SYMBOL



ORDERING INFORMATION

Ordering Number		Package	Pin Assignment			Packing
Lead Free	Halogen Free		1	2	3	
MBR20150CL-TA3-T	MBR20150CG-TA3-T	TO-220	A	K	A	Tube
MBR20150CL-TQ2-T	MBR20150CG-TQ2-T	TO-263	A	K	A	Tube
MBR20150CL-TQ2-R	MBR20150CG-TQ2-R	TO-263	A	K	A	Tape Reel

Note: Pin Assignment: A: Anode K: Cathode

<p>MBR20150CL-TA3-T</p> <p>(1) Packing Type (2) Package Type (3) Lead Free</p>	<p>(1) T: Tube (2) TA3: TO-220 (3) Halogen Free, L: Lead Free</p>
--	---

■ ABSOLUTE MAXIMUM RATING (T_A=25°C, unless otherwise specified)

PARAMETER	SYMBOL	RATINGS	UNIT
Recurrent Peak Reverse Voltage	V _{RRM}	150	V
RMS Voltage	V _{R(RMS)}	105	V
DC Blocking Voltage	V _R	150	V
Average Forward Rectified Output Current	I _{OUT}	20	A
Forward Voltage	V _F	T _J =25°C, I _F =10A	0.92
		T _J =125°C, I _F =10A	1075
DC Reverse Current	I _R	T _J =25°C	0.025
		T _J =125°C	5
Non-Repetitive Peak Forward Surge Current 8.3ms Single Half-Sine-Wave	I _{FSM}	180	A
Junction Capacitance (Note 1)	C _J	320	pF
Junction Temperature	T _J	150	°C
Storage Temperature	T _{STG}	-50 ~ +150	°C

Notes: 1. Absolute maximum ratings are those values beyond which the device could be permanently damaged. Absolute maximum ratings are stress ratings only and functional device operation is not implied.
 2. Applied V_R = 4.0V and f = 1.0MHz.

UTC assumes no responsibility for equipment failures that result from using products at values that exceed, even momentarily, rated values (such as maximum ratings, operating condition ranges, or other parameters) listed in products specifications of any and all UTC products described or contained herein. UTC products are not designed for use in life support appliances, devices or systems where malfunction of these products can be reasonably expected to result in personal injury. Reproduction in whole or in part is prohibited without the prior written consent of the copyright owner. The information presented in this document does not form part of any quotation or contract, is believed to be accurate and reliable and may be changed without notice.