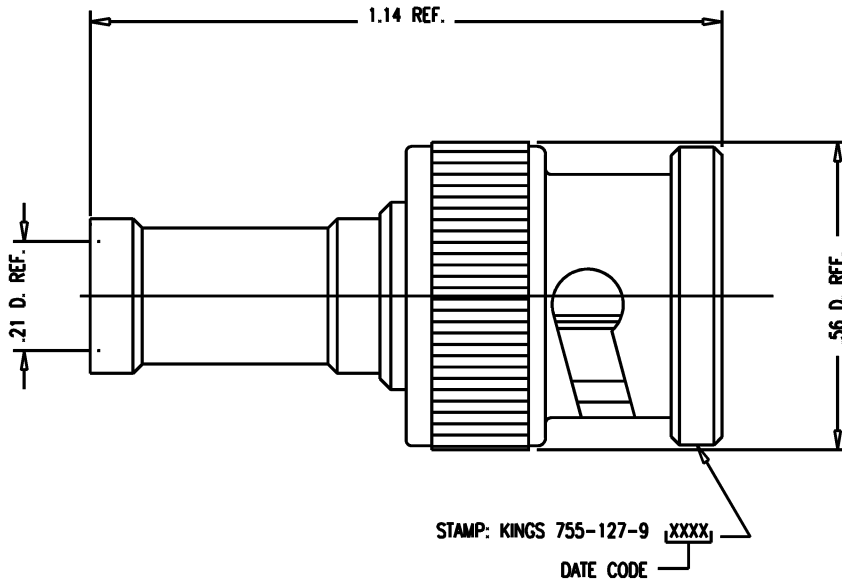


DASH NO.	M CODE	MADE FROM
----------	--------	-----------

GSD

755-127-9




NOTES:

- FOR USE WITH RG-58 AND 141/U CABLE GROUPS.
- FOR CABLING INSTRUCTIONS SEE CP-465.
- FOR CRIMPING USE DIE KTH-2061.
- INTERFACE PER MIL-STD-348, FIG. 301-1.
- CENTER CONTACT TO BE SUPPLIED UNASSEMBLED.
- MATERIALS:
 INSULATOR: TEFLON, ASTM-D4894
 GASKET: SILICONE RUBBER, A-A-59588
 SPRING WASHER: BER. COP. ASTM-B-196
 OUTER CONTACT: BER. COP. ASTM-B-196
 CRIMP SLEEVE: COMM. BRONZE ASTM-B16, H02
 ALL OTHER METAL PARTS: BRASS, ASTM-B36
- FINISHES:
 CENTER CONTACT: GOLD PLATE PER ASTM-B488
 ALL OTHER METAL PARTS: NICKEL PLATE PER SAE-AMS-QQ-N-290
- ELECTRICAL CHARACTERISTICS:
 NOMINAL IMPEDANCE: 50 OHM
 FREQUENCY RANGE: DC TO 4 GHz
 VOLTAGE RATING: 500 VOLTS RMS

REVISIONS

ISSUE	CHANGES
0	ER 39249 DCT 3/23/5

SCALE 4:1	
APPROX SURFACE AREA	
USED ON	
REF:	
PLUG, BNC	
DRAWN DCT	DATE 3/23/5
DESIGN DCT	DATE 3/23/5
APPR.	DATE
 <small>ELECTRICAL CO., INC. ROCK HILL, SOUTH CAROLINA 29730</small>	
755-127-9	

GSD