

IEC Appliance Outlet J, Snap-in Mounting, Front Side, IDC Terminal



Arrangement "cross"  
(wires cross to pin axis)



Arrangement "along"  
(wires along to pin axis)



Arrangement "cross", view from rear side  
(wires cross to pin axis)



**Description**

- Panel Mount :  
Snap-in version , from front side
- Connector , Pin temperature 70 °C , Protection class I
- Wire gauge 10AWG/6.0mm<sup>2</sup>, 12AWG/4.0mm<sup>2</sup>, 2.5mm<sup>2</sup>
- IDC terminals acc. to IEC 60998-2-3 for solid wires

**Unique Selling Proposition**

- Reduces labor costs
- Allows wiring of multiple terminals at once
- Cross and along orientation
- V-Lock cord retaining standard

**Approvals**

- ENEC File Number: 40042639
- UL File Number: E103791
- CCC File Number: 2014010204668919

**Characteristics**

- Protection cover can be used as "wire press"
- Live contact available as IDC, solder or quick connect terminal
- ready to use with V-Lock cordsets
- Suitable for use in equipment according to IEC/UL 60950

**Other versions on request**

- Other panel thickness
- Versions with protection class II

**References**

Alternative: version for 10 A (15 A) 6610

**Weblinks**

[pdf-datasheet](#), [html-datasheet](#), [General Product Information](#), [RoHS](#), [CHINA-RoHS](#), [REACH](#), [Distributor-Stock-Check](#), [Accessories](#), [Detailed request for product](#)

The integration of light pipes in the appliance outlet provides status indication in smart PDUs. See Application Note for more information.

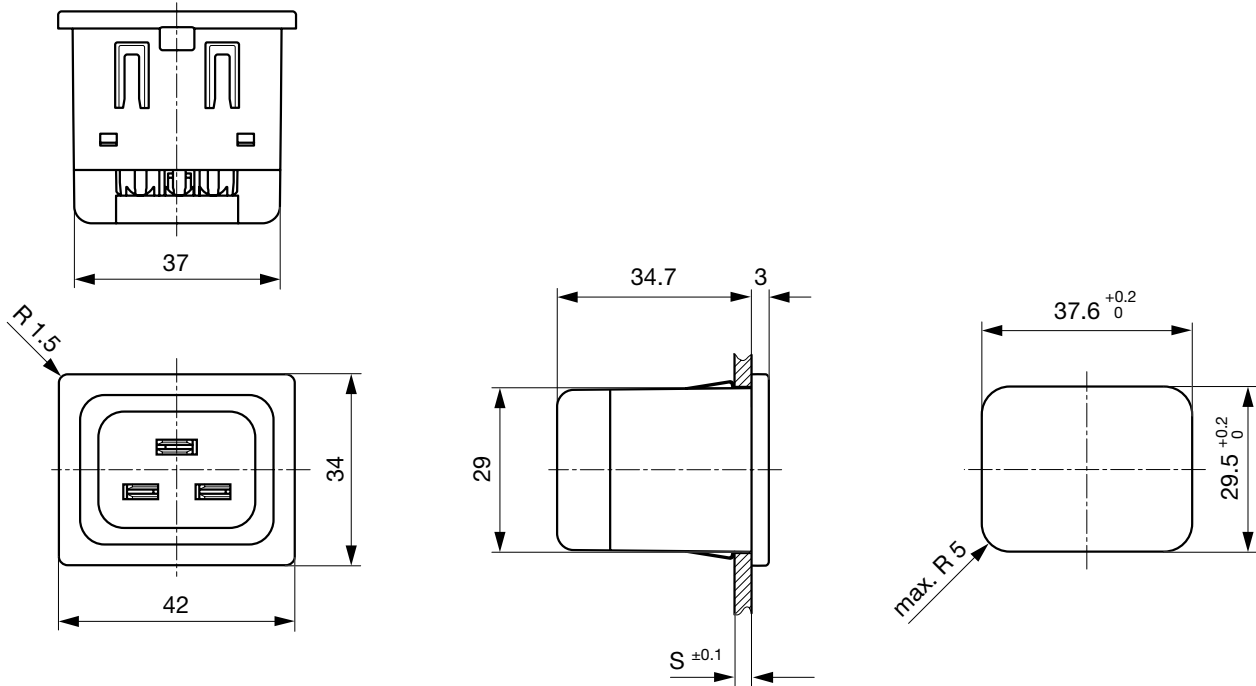
[Application Note](#)

**Technical Data**

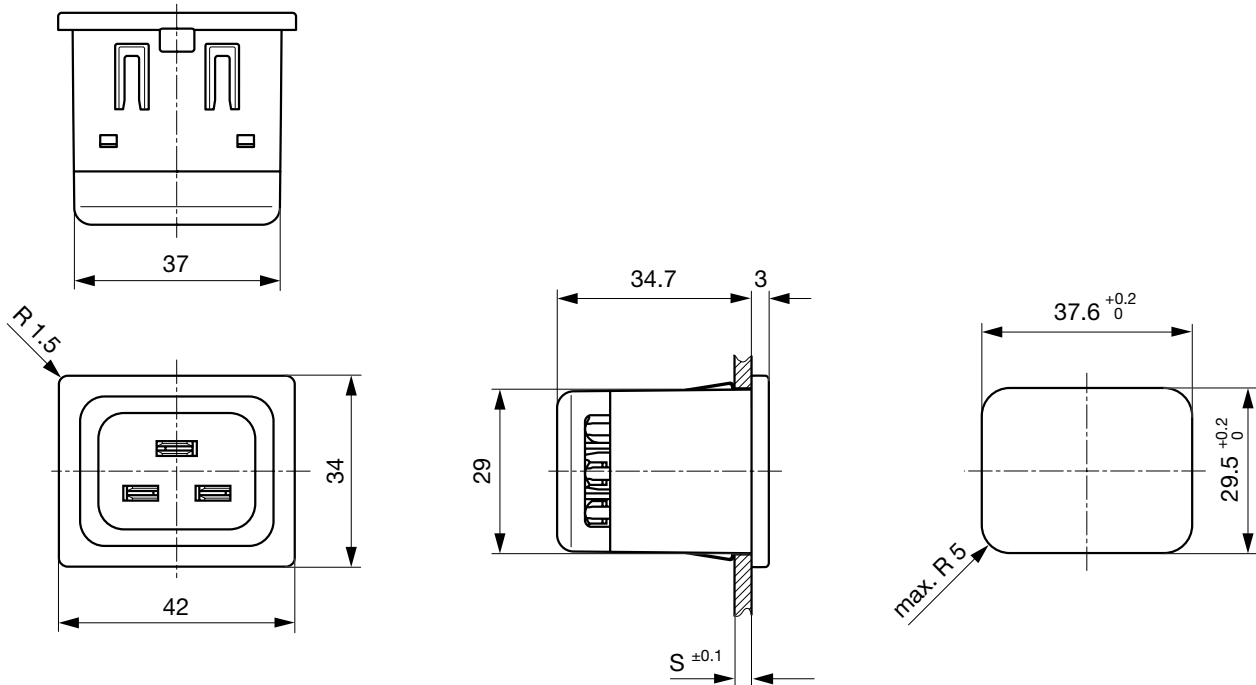
Ratings IEC	16A / 250VAC; 50Hz	appliance inlet/-outlet	J acc. to IEC 60320-1,
Ratings UL/CSA	20A / 250VAC; 60Hz		UL 60320-1, CSA C22.2 no. 60320-1-
Dielectric Strength	> 2.5kVAC between L-N > 1.5kVAC between L/N-PE (1 min/50Hz)		11 , Protection Class I
Allowable Operation Temp.	-25°C to 70°C		
Insulation cover	Suitable for appliances with protection class I acc. to IEC 61140		
Terminal	IDC terminals		
Panel Thickness s	1/1.2/1.5/2/2.5/3 mm		
Material: Housing	Thermoplastic, black, UL 94V-0		

**Dimensions**

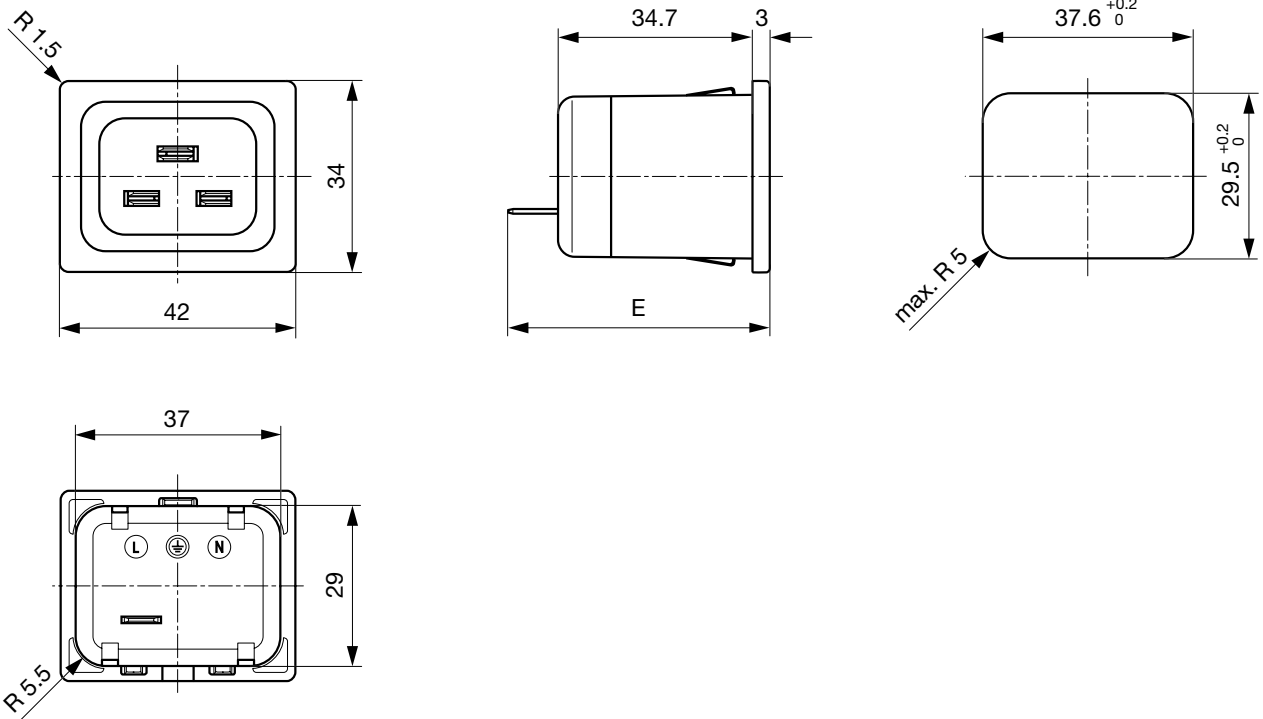
Version "cross" (wires cross to pin axis)  
L/N/PE: IDC terminals



Version "along" (wires along to pin axis)  
L/N/PE: IDC terminals

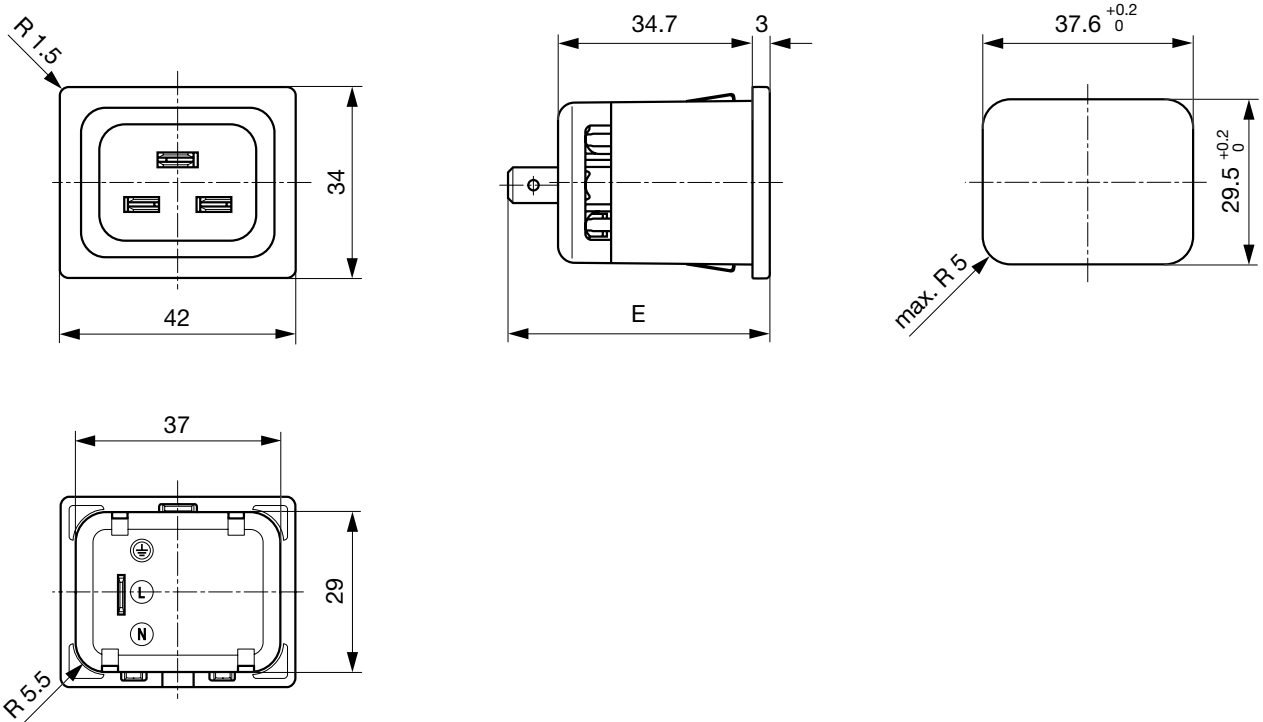


Version "cross" (wires cross to pin axis)  
N/PE: IDC terminals, L: quick connect or solder terminal



E: Quick connect terminal 6.3x0.8: 46.7 mm  
E: Solder terminal: 47.2 mm

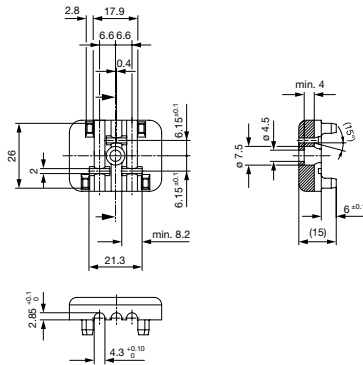
Version "along" (wires along to pin axis)  
N/PE: IDC terminals, L: quick connect or solder terminal



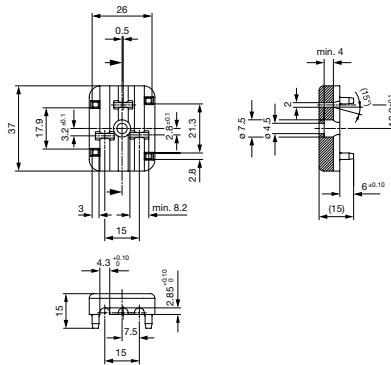
E: Quick connect terminal 6.3x0.8: 46.7 mm  
E: Solder terminal: 47.2 mm

**Assembly Instructions**

Mounting tool version "cross"



Mounting tool version "along"

**All Variants**

Alignment <sup>1)</sup>	Conductor cross section	Panel Thickness s [mm]	Terminal type live contact	Order Number	
along	2.5 mm <sup>2</sup>	1.5	IDC terminal	4710.6014	■
along	2.5 mm <sup>2</sup>	1.5	Quick connect terminal 6.3 x 0.8	4710.6254	■
along	2.5 mm <sup>2</sup>	1.5	Solder terminal	4710.6154	■
along	4.0 mm <sup>2</sup> / 12 AWG	1	IDC terminal	4710.4012	
along	4.0 mm <sup>2</sup> / 12 AWG	1.5	IDC terminal	4710.4014	■
along	4.0 mm <sup>2</sup> / 12 AWG	1.5	Quick connect terminal 6.3 x 0.8	4710.4254	
along	4.0 mm <sup>2</sup> / 12 AWG	1.5	Solder terminal	4710.4154	
along	6.0 mm <sup>2</sup> / 10 AWG	1.5	IDC terminal	4710.2014	
along	6.0 mm <sup>2</sup> / 10 AWG	1.5	Quick connect terminal 6.3 x 0.8	4710.2254	
along	6.0 mm <sup>2</sup> / 10 AWG	1.5	Solder terminal	4710.2154	
cross	2.5 mm <sup>2</sup>	1.5	IDC terminal	4710.5014	■
cross	2.5 mm <sup>2</sup>	1.5	Quick connect terminal 6.3 x 0.8	4710.5254	■
cross	2.5 mm <sup>2</sup>	1.5	Solder terminal	4710.5154	■
cross	4.0 mm <sup>2</sup> / 12 AWG	1.5	IDC terminal	4710.3014	■
cross	4.0 mm <sup>2</sup> / 12 AWG	2	IDC terminal	4710.3015	■
cross	4.0 mm <sup>2</sup> / 12 AWG	1.5	Quick connect terminal 6.3 x 0.8	4710.3254	■
cross	4.0 mm <sup>2</sup> / 12 AWG	1.5	Solder terminal	4710.3154	
cross	6.0 mm <sup>2</sup> / 10 AWG	1.5	IDC terminal	4710.1014	
cross	6.0 mm <sup>2</sup> / 10 AWG	1.5	Quick connect terminal 6.3 x 0.8	4710.1254	
cross	6.0 mm <sup>2</sup> / 10 AWG	1.5	solder terminal	4710.1154	

■ Most Popular.

Availability for all products can be searched real-time: <http://www.schurter.com/Stock-Check/Stock-Check-SCHURTER>

1) The alignment describes whether the wires are along or across to the connector pin axis.

**Packaging unit** 50 Pcs

## Mating Inlets/Plugs

### Category / Description



[Plug Overview complete](#)

IEC Plug I, Cord Connector (Rewireable), Straight	4796
IEC Plug I, Cord Connector (Rewireable), Angled	4789

[Plug further types to 4710](#)

## Mating Inlets/Plugs shuttered



[Interconnection Cord Overview complete](#)

VAC19KS, Interconnection, V-Lock cord retaining, 2.0 m, Connector IEC C19, H05VV-F3G1.5 / SJT 3x14 AWG, black	3-100-362
VAC19KS, Interconnection, V-Lock cord retaining, 3.0 m, Connector IEC C19, H05VV-F3G1.5 / SJT 3x14 AWG, black	3-100-363
VAC19KS, Interconnection, V-Lock cord retaining, 1.0 m, Connector IEC C19, H05VV-F3G1.5, black	6051.2147
VAC19KS, Interconnection, V-Lock cord retaining, 1.0 m, Connector IEC C19, H05VV-F3G1.5 / SJT 3x14 AWG, black	6051.2197
VAC19KS, Interconnection, V-Lock cord retaining, 2.0 m, Connector IEC C19, H05VV-F3G1.5, black	6051.2047

[Interconnection Cord further types to 4710](#)