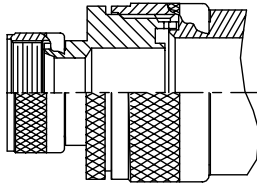




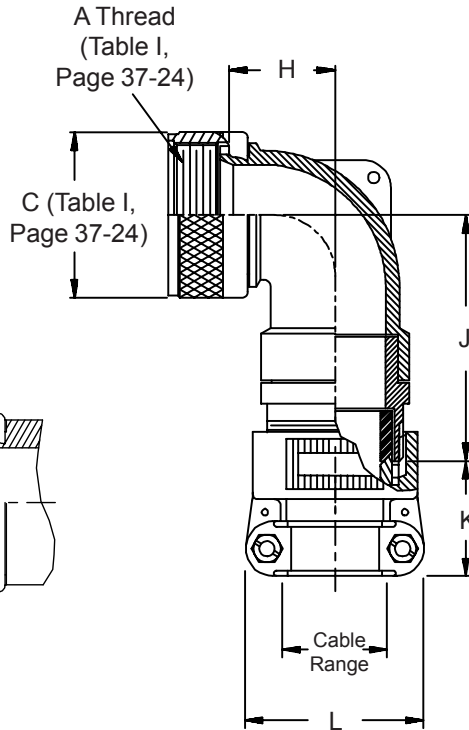
AS85049/9 and MS3188B Environmental Backshells

Glenair Connector Designator A

MIL-DTL-5015 Series 3400,
MIL-DTL-26482 Series 2,
AS81703 Series 3,
MIL-DTL-83723 Series I & III,
40M39569, DEF 5326-3,
EN 2997, EN 3646,
ESC 10, ESC 11, LN 29504,
NFC93422 Series HE302,
PAN 6432-1, PAN 6432-2,
PATT 602



STYLE 2



M85049/9-21 N

Basic Part No. _____
Dash No. _____
Finish and Material _____
B = Black Cadmium, Stainless Steel
N = Electroless Nickel, Aluminum
S = Passivated Stainless Steel
W = 1,000 Hour Cadmium Olive Drab
Over Electroless Nickel, Aluminum

Superceded Part Number

MS3188B 21 N

Basic Part No. _____
Dash No. _____
Finish (Material is Aluminum Only) _____
A = Cadmium Olive Drab over Nickel
C = Cadmium Olive Drab
N = Electroless Nickel

1. For complete dimensions see applicable Military Specification.
2. Metric dimensions (mm) are indicated in parentheses.
3. When maximum cable entry is exceeded, Style 2 will be supplied.
4. Cable range is defined as the accommodations range for the wire bundle or cable. Dimensions shown are not intended for inspection criteria.

TABLE II

Dash No.	Shell Size	H		J		K		L		Cable Range		M85049/42 Ref		
		Max	(mm)	Max	(mm)	Ref.	(mm)	Max	(mm)	Min	Max			
1	03	.761	(19.3)	1.862	(47.3)	1.027	(26.1)	.957	(24.3)	.125	(3.2)	.250	(6.4)	4
2	03	1.511	(38.4)	1.382	(35.1)	1.027	(26.1)	1.145	(29.1)	.250	(6.4)	.437	(11.1)	6
3	08	.666	(16.9)	1.262	(32.1)	1.027	(26.1)	.957	(24.3)	.125	(3.2)	.250	(6.4)	4
4	10	.761	(19.3)	1.982	(50.3)	1.027	(26.1)	.957	(24.3)	.125	(3.2)	.312	(7.9)	4
5	10	.761	(19.3)	1.382	(35.1)	1.027	(26.1)	1.145	(29.1)	.250	(6.4)	.375	(9.5)	6
6	12	.766	(19.5)	2.002	(50.9)	1.027	(26.1)	.957	(24.3)	.125	(3.2)	.312	(7.9)	4
7	12	.766	(19.5)	2.002	(50.9)	1.027	(26.1)	1.145	(29.1)	.250	(6.4)	.437	(11.1)	6
8	12	.766	(19.5)	1.397	(35.5)	1.027	(26.1)	1.332	(33.8)	.350	(8.9)	.500	(12.7)	10
9	14	.866	(22.0)	2.072	(52.6)	1.027	(26.1)	1.145	(29.1)	.250	(6.4)	.437	(11.1)	6
10	14	.866	(22.0)	1.717	(43.6)	1.027	(26.1)	1.332	(33.8)	.350	(8.9)	.575	(14.6)	10
11	16	1.051	(26.7)	2.162	(54.9)	1.027	(26.1)	1.145	(29.1)	.250	(6.4)	.437	(11.1)	6
12	16	1.051	(26.7)	1.807	(45.9)	1.059	(26.9)	1.551	(39.4)	.500	(12.7)	.700	(17.8)	12
13	18	1.141	(29.0)	2.332	(59.2)	1.027	(26.1)	1.332	(33.8)	.350	(8.9)	.625	(15.9)	10
14	18	1.141	(29.0)	1.982	(50.3)	1.156	(29.4)	1.770	(45.0)	.625	(15.9)	.779	(19.8)	16
15	20	1.141	(29.0)	2.332	(59.2)	1.027	(26.1)	1.332	(33.8)	.350	(8.9)	.625	(15.9)	10
16	20	1.141	(29.0)	1.982	(50.3)	1.156	(29.4)	1.770	(45.0)	.625	(15.9)	.904	(23.0)	16
17	22	1.291	(32.8)	2.442	(62.0)	1.059	(26.9)	1.551	(39.4)	.500	(12.7)	.750	(19.1)	12
18	22	1.291	(32.8)	2.087	(53.0)	1.375	(34.9)	2.113	(53.7)	.875	(22.2)	1.029	(26.1)	20
19	24	1.291	(32.8)	2.442	(62.0)	1.059	(26.9)	1.551	(39.4)	.500	(12.7)	.750	(19.1)	12
20	24	1.291	(32.8)	2.087	(53.0)	1.375	(34.9)	2.113	(53.7)	.875	(22.2)	1.144	(29.1)	20
21	28	1.391	(35.3)	2.612	(66.3)	1.156	(33.7)	1.770	(45.0)	.625	(15.9)	.937	(23.8)	16

AS85049/9 and MS3188B
Environmental Backshells



Environmental
Backshells

TABLE II (Continued)

Dash No.	Shell Size	H		J		K Ref.	L		Cable Range				M85049/42 Ref	
		Max		Max			Max		Min	Max	Min	Max		
22	28	1.391	(35.3)	2.257	(57.3)	1.500	(38.1)	2.363	(60.0)	1.000	(25.4)	1.375	(34.9)	24
23	32	1.741	(44.2)	2.862	(72.7)	1.156	(29.4)	1.770	(45.0)	.625	(15.9)	.937	(23.8)	16
24	32	1.741	(44.2)	2.862	(72.7)	1.375	(34.9)	2.113	(53.7)	.875	(22.2)	1.250	(31.8)	20
25	32	1.741	(44.2)	2.507	(63.7)	1.781	(45.2)	2.770	(70.4)	1.250	(31.8)	1.625	(41.3)	28
26	36	1.941	(49.3)	2.832	(71.9)	1.156	(29.4)	1.770	(45.0)	.625	(15.9)	.937	(23.8)	16
27	36	1.941	(49.3)	2.832	(71.9)	1.500	(38.1)	2.363	(60.0)	1.000	(25.4)	1.375	(34.9)	24
28	36	1.941	(49.3)	2.477	(62.9)	1.830	(46.5)	3.020	(76.7)	1.437	(36.5)	1.840	(46.7)	32
29	40	2.691	(68.4)	2.832	(71.9)	1.156	(29.4)	1.770	(45.0)	.625	(15.9)	.937	(23.8)	16
30	40	2.691	(68.4)	2.832	(71.9)	1.500	(38.1)	2.363	(60.0)	1.000	(25.4)	1.375	(34.9)	24
31	40	2.691	(68.4)	2.477	(62.9)	1.830	(46.5)	3.020	(76.7)	1.437	(36.5)	1.875	(47.6)	32
32	44	2.691	(68.4)	2.832	(71.9)	1.156	(29.4)	1.770	(45.0)	.625	(15.9)	.937	(23.8)	16
33	44	2.691	(68.4)	2.832	(71.9)	1.500	(38.1)	2.363	(60.0)	1.000	(25.4)	1.375	(34.9)	24
34	44	2.691	(68.4)	2.477	(62.9)	1.830	(46.5)	3.020	(76.7)	1.437	(36.5)	1.875	(47.6)	32
35	48	2.691	(68.4)	2.832	(71.9)	1.156	(29.4)	1.770	(45.0)	.625	(15.9)	.937	(23.8)	16
36	48	2.691	(68.4)	2.832	(71.9)	1.500	(38.1)	2.363	(60.0)	1.000	(25.4)	1.375	(34.9)	24
37	48	2.691	(68.4)	2.477	(62.9)	1.830	(46.5)	3.020	(76.7)	1.437	(36.5)	1.875	(47.6)	32
38	61	1.291	(32.8)	2.442	(62.0)	1.059	(26.9)	1.551	(39.4)	.500	(12.7)	.750	(19.1)	12
39	61	1.291	(32.8)	2.087	(53.0)	1.375	(34.9)	2.113	(53.7)	.875	(22.2)	1.184	(30.1)	20
40	16	1.051	(26.7)	2.162	(54.9)	1.027	(26.1)	1.332	(33.8)	.350	(8.9)	.625	(15.9)	10
41	18	1.141	(29.0)	2.332	(59.2)	1.027	(26.1)	.957	(24.3)	.125	(3.2)	.312	(7.9)	4
42	18	1.141	(29.0)	2.332	(59.2)	1.027	(26.1)	1.145	(29.1)	.250	(6.4)	.437	(11.1)	6
43	20	1.141	(29.0)	2.332	(59.2)	1.027	(26.1)	1.145	(29.1)	.250	(6.4)	.437	(11.1)	6
44	22	1.291	(32.8)	2.442	(62.0)	1.027	(26.1)	.957	(24.3)	.125	(3.2)	.312	(7.9)	4
45	22	1.291	(32.8)	2.442	(62.0)	1.027	(26.1)	1.145	(29.1)	.250	(6.4)	.437	(11.1)	6
46	24	1.291	(32.8)	2.442	(62.0)	1.027	(26.1)	1.332	(33.8)	.350	(8.9)	.625	(15.9)	10
47	36	1.941	(49.3)	2.832	(71.9)	1.059	(26.9)	1.551	(39.4)	.500	(12.7)	.750	(19.1)	12
48	40	1.941	(49.3)	2.832	(71.9)	1.059	(26.9)	1.551	(39.4)	.500	(12.7)	.750	(19.1)	12
49*	10	1.516	(38.5)	2.002	(50.9)	1.027	(26.1)	1.145	(29.1)	.250	(6.4)	.437	(11.1)	6
50*	14	1.891	(48.0)	2.332	(59.2)	1.059	(26.9)	1.551	(39.4)	.500	(12.7)	.750	(19.1)	12
51*	16	2.041	(51.8)	2.442	(62.0)	1.156	(29.4)	1.770	(45.0)	.625	(15.9)	.937	(23.8)	16
52	18	1.141	(29.0)	2.332	(59.2)	1.059	(26.9)	1.551	(39.4)	.500	(12.7)	.750	(19.1)	12
53	61	1.291	(32.8)	2.087	(53.0)	1.156	(29.4)	1.770	(45.0)	.625	(15.9)	.937	(23.8)	16
54	20	1.141	(29.0)	2.332	(59.2)	1.059	(26.9)	1.551	(39.4)	.500	(12.7)	.750	(19.1)	12
55*	20	2.141	(54.4)	2.612	(66.3)	1.375	(34.9)	2.113	(53.7)	.875	(22.2)	1.250	(31.8)	20
56	22	1.291	(32.8)	2.442	(62.0)	1.027	(26.1)	1.332	(33.8)	.350	(8.9)	.625	(15.9)	10
57	22	1.291	(32.8)	2.442	(62.0)	1.156	(29.4)	1.770	(45.0)	.625	(15.9)	.937	(23.8)	16
58*	22	2.141	(54.4)	2.612	(66.3)	1.375	(34.9)	2.113	(53.7)	.875	(22.2)	1.250	(31.8)	20
59	24	1.291	(32.8)	2.442	(62.0)	1.156	(29.4)	1.770	(45.0)	.625	(15.9)	.937	(23.8)	16
60	28	1.391	(35.3)	2.612	(66.3)	1.059	(26.9)	1.551	(39.4)	.500	(12.7)	.750	(19.1)	12
61	28	1.391	(35.3)	2.612	(66.3)	1.375	(34.9)	2.113	(53.7)	.875	(22.2)	1.250	(31.8)	20
62	32	1.741	(44.2)	2.862	(72.7)	1.500	(38.1)	2.363	(60.0)	1.000	(25.4)	1.375	(34.9)	24
63	36	1.941	(49.3)	2.832	(71.9)	1.375	(34.9)	2.113	(53.7)	.875	(22.2)	1.250	(31.8)	20
64	36	1.941	(49.3)	2.832	(71.9)	1.781	(45.2)	2.770	(70.4)	1.250	(31.8)	1.625	(41.3)	28
65	40	2.691	(68.4)	2.832	(71.9)	1.375	(34.9)	2.113	(53.7)	.875	(22.2)	1.250	(31.8)	20
66	40	2.691	(68.4)	2.832	(71.9)	1.781	(45.2)	2.770	(70.4)	1.250	(31.8)	1.625	(41.3)	28
67	44	2.691	(68.4)	2.832	(71.9)	1.375	(34.9)	2.113	(53.7)	.875	(22.2)	1.250	(31.8)	20
68	44	2.691	(68.4)	2.832	(71.9)	1.781	(45.2)	2.770	(70.4)	1.250	(31.8)	1.625	(41.3)	28
69	48	2.691	(68.4)	2.832	(71.9)	1.375	(34.9)	2.113	(53.7)	.875	(22.2)	1.250	(31.8)	20
70	48	2.691	(68.4)	2.832	(71.9)	1.781	(45.2)	2.770	(70.4)	1.250	(31.8)	1.625	(41.3)	28
71*	12	1.811	(46.0)	2.162	(54.9)	1.027	(26.1)	1.332	(33.8)	.350	(8.9)	.625	(15.9)	10
72*	18	2.051	(52.1)	2.442	(62.0)	1.156	(29.4)	1.770	(45.0)	.625	(15.9)	.937	(23.8)	16
73*	24	2.151	(54.6)	2.612	(66.3)	1.375	(34.9)	2.116	(53.7)	.875	(22.2)	1.250	(31.8)	20
74	14	.866	(22.0)	2.072	(52.6)	1.027	(26.1)	.957	(24.3)	.125	(3.2)	.312	(7.9)	4
75	16	1.051	(26.7)	2.162	(54.9)	1.027	(26.1)	.957	(24.3)	.125	(3.2)	.312	(7.9)	4

© 2005 Glenair, Inc.

CAGE Code 06324

Printed in U.S.A.