

Model: SCT-013

Rated input current: 5A/100A

Characteristics: Opening size: 13mm*13mm,
 Non-linearity±3% (10%—120% of rated input current)
 1m leading wire, standard Φ3.5 three core plug output.
 Current output type and voltage output type (voltage output type built-in sampling resistor)

Purpose: Used for current measurement, monitor and protection for AC motor, lighting equipment, air compressor etc

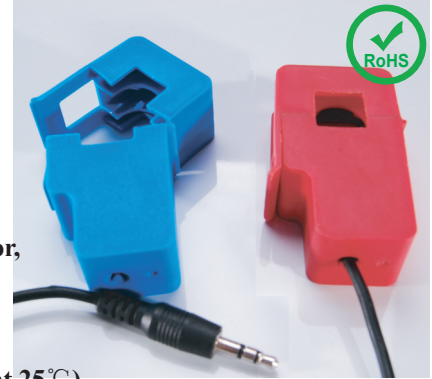
Core material: ferrite

Mechanical strength: the number of switching is not less than 1000 times(test at 25°C)

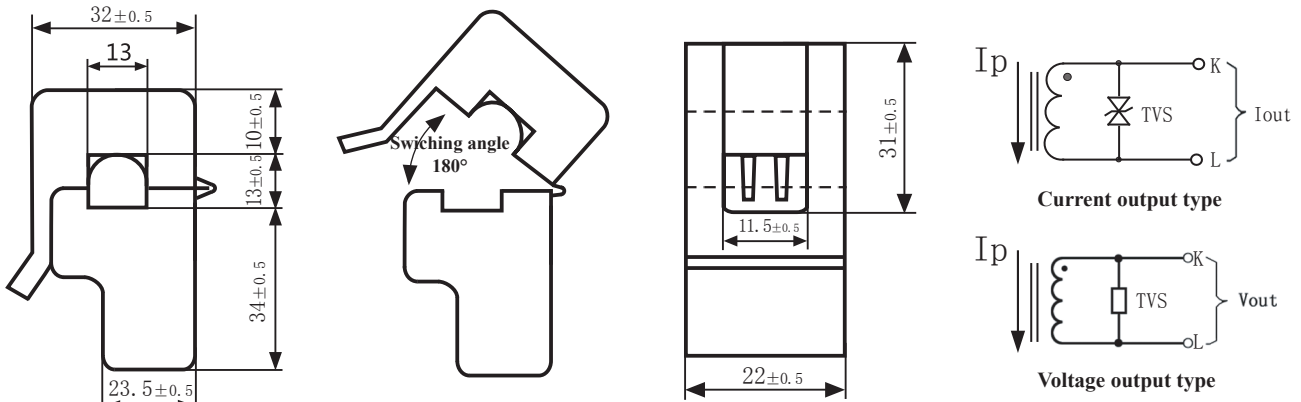
Safety index: Dielectric strength(between shell and output)1000V AC/1min

Fire resistance property: In accordance with UL94-Vo

Work temperature: -25°C ~ +70°C



Outline size diagram: (in mm)



Front View

Side View

Schematic diagram

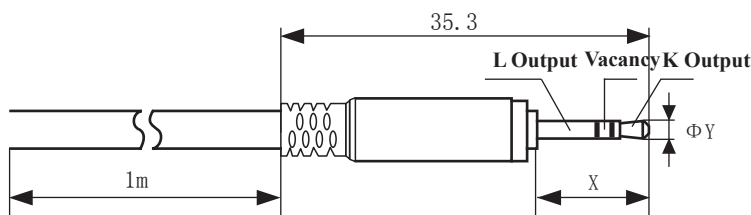


Diagram for standard three-core plug

Three-core plug size

| | X | Y | select |
|------------------|------|-----|----------|
| 2.5mm Audio Plug | 11.9 | 2.5 | and use |
| 3.5mm Audio Plug | 15.0 | 3.5 | standard |

Table of technical parameter:

| Model | SCT-013-000 | SCT-013-005 | SCT-013-010 | SCT-013-015 | SCT-013-020 |
|---------------|-------------|-------------|-------------|-------------|--------------|
| Input current | 0-100A | 0-5A | 0-10A | 0-15A | 0-20A |
| Output type | 0-50mA | 0-1V | 0-1V | 0-1V | 0-1V |
| Model | SCT-013-025 | SCT-013-030 | SCT-013-050 | SCT-013-060 | SCT-013-000V |
| Input current | 0-25A | 0-30A | 0-50A | 0-60A | 0-100A |
| Output type | 0-1V | 0-1V | 0-1V | 0-1V | 0-1V |

※ Output type: voltage output type built-in sampling resistor, current output type built-in protective diode.