

### FEATURES

- Good Anode Uniformity  
1:1.1 Typ. (at -1000 V and peak wavelength)
- Low Cross-talk  
0.1 % Typ. (each channel)  
Black slit faceplate used
- High Cathode Sensitivity  
Luminous 250  $\mu\text{A}/\text{lm}$  Typ. (-01 Type)  
Luminous 500  $\mu\text{A}/\text{lm}$  Typ. (-20 Type)
- Anode Structure  
2.8 mm Channel Pitch  
2.0 mm  $\times$  2.5 mm  $\times$  8 Anodes

### APPLICATIONS

- Biomedical Fluorescence Detection
- Laser Scanning Detection
- Spectroscopy
- Environmental Monitoring

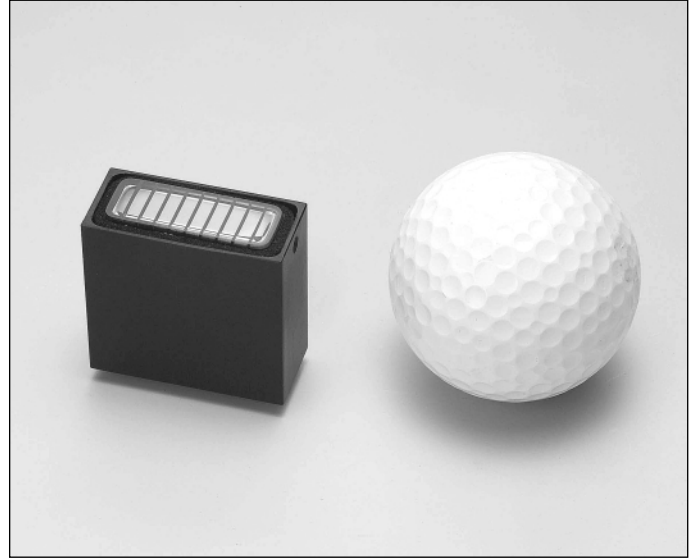


Figure 1: Typical Spectral Response

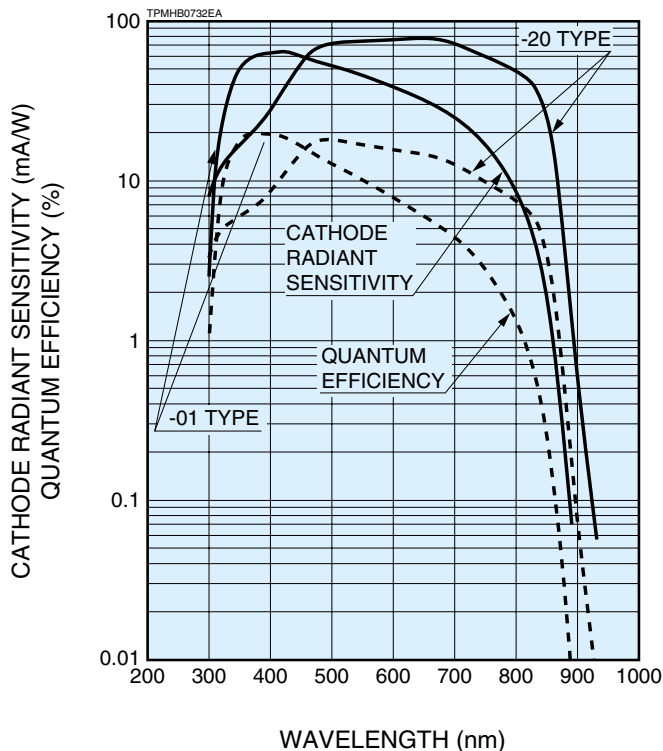
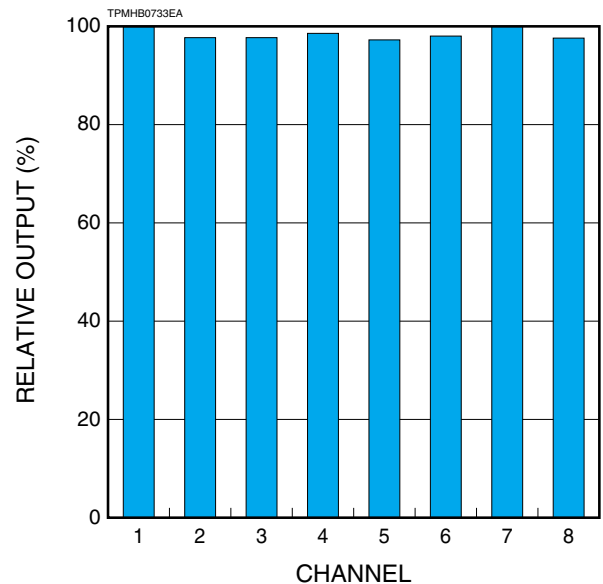


Figure 2: Anode Uniformity (Example)



Supply Voltage: -1000 V  
Wavelength: peak wavelength

# 8 CHANNEL LINEAR ARRAY MULTIANODE PMT ASSEMBLY H9530 SERIES

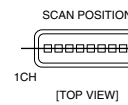
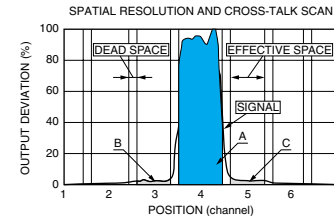
## SPECIFICATIONS

Parameter		Description / Value		Unit
		H9530-01	H9530-20	
Spectral Response	Range	300 to 880	300 to 920	nm
	Peak Wavelength	420	630	nm
Photocathode	Material	Multialkali		—
	Effective Area per Channel	2.0 × 2.5		mm
Channel Pitch		2.8		mm
Window Material	Clear Parts	Borosilicate glass		—
	Slit Parts	Black Borosilicate glass		—
Dynode	Structure	Metal Channel		—
	Number of Stages	12		—
Insulation Cover Material		P.O.M.		—
Maximum Supply Voltage		-1200		V
Supply Voltage		-1000		V
Cathode	Luminous (2856 K)	250	500	μA/lm
	Red / White Ratio R-68	0.3	0.45	—
Anode	Luminous (2856 K)	750	1500	A/lm
	Dark Current per Channel (After 30 min.)	0.5	1	nA
Gain (at 1000 V)		3 × 10 <sup>6</sup>		—
Cross-talk (Typ.)		0.1 <sup>(A)</sup>		%
Anode Uniformity (Typ.)		1: 1.1 <sup>(B)</sup>		—
Maximum Average Anode Current per Channel		10 <sup>(C)</sup>		μA

### NOTE

(A) The ratio of signal between a channel and an average of adjacent two channels, when the incident light is given to the center channel through 2.0 mm × 2.5 mm aperture. Cross-talk is measured with the analog mode. Cross-talk: (Area B + Area C) / 2 / Area A × 100

### Cross-talk (Example)

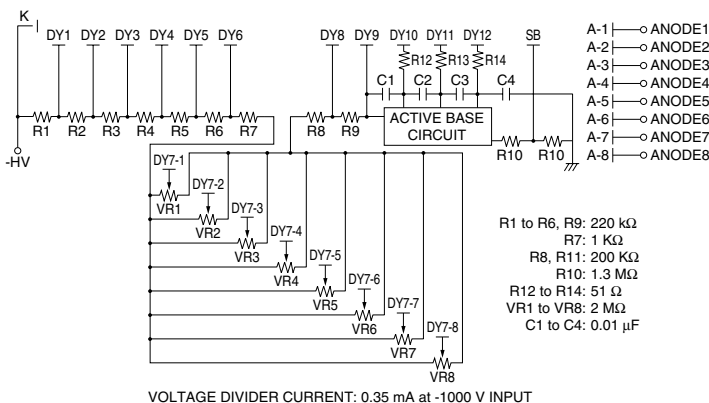
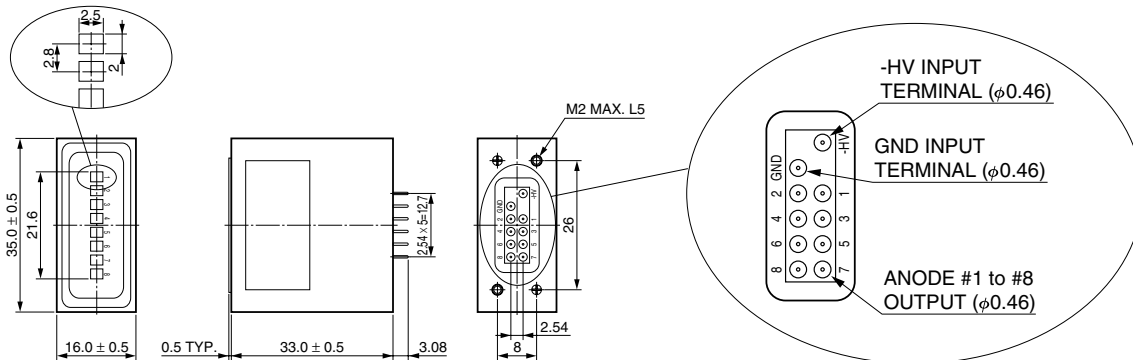


SUPPLY VOLTAGE: -1000 V  
LIGHT SOURCE : TUNGSTEN LAMP  
SPOT DIA. : 100 μm  
SCAN PITCH : 50 μm

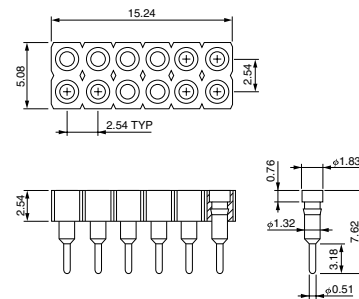
(B) Uniformity is measured on each channel with -1000 V at peak wavelength.

(C) at -1000 V

Figure 3: Dimensional Outline (Unit: mm)



### SOCKET: SD-106-T-22 (Supplied)



TPMHA0508EB

TACCA0257EA

# HAMAMATSU

WEB SITE <http://www.hamamatsu.com>

HAMAMATSU PHOTONICS K.K., Electron Tube Division

314-5, Shimokanzo, Toyooka-village, Iwata-gun, Shizuoka-ken, 438-0193, Japan, Telephone: (81)539/62-5248, Fax: (81)539/62-2205

U.S.A.: Hamamatsu Corporation: 360 Foothill Road, P. O. Box 6910, Bridgewater, N.J. 08807-0910, U.S.A., Telephone: (1)908-231-0960, Fax: (1)908-231-1218 E-mail: [usa@hamamatsu.com](mailto:usa@hamamatsu.com)

Germany: Hamamatsu Photonics Deutschland GmbH: Arzbergerstr. 10, D-82211 Herrsching am Ammersee, Germany, Telephone: (49)8152-375-0, Fax: (49)8152-2658 E-mail: [info@hamamatsu.de](mailto:info@hamamatsu.de)

France: Hamamatsu Photonics France S.A.R.L.: 8, Rue du Saule Trapu, Parc du Moulin de Massy, 91882 Massy Cedex, France, Telephone: (33)1 69 53 71 00, Fax: (33)1 69 53 71 10 E-mail: [infos@hamamatsu.fr](mailto:infos@hamamatsu.fr)

United Kingdom: Hamamatsu Photonics UK Limited: 2 Howard Court, 10 Tewin Road Welwyn Garden City Hertfordshire AL7 1BW, United Kingdom, Telephone: 44-(0)1707-294888, Fax: 44(0)1707-325777 E-mail: [info@hamamatsu.co.uk](mailto:info@hamamatsu.co.uk)

North Europe: Hamamatsu Photonics Norden AB: Smidesvägen 12, SE-171-41 SOLNA, Sweden, Telephone: (46)8-509-031-00, Fax: (46)8-509-031-01 E-mail: [info@hamamatsu.se](mailto:info@hamamatsu.se)

Italy: Hamamatsu Photonics Italia: S.R.L.: Strada della Moia, 1/E, 20020 Arese, (Milano), Italy, Telephone: (39)02-935 81 733, Fax: (39)02-935 81 741 E-mail: [info@hamamatsu.it](mailto:info@hamamatsu.it)

TPMH1289E03  
OCT. 2004 IP