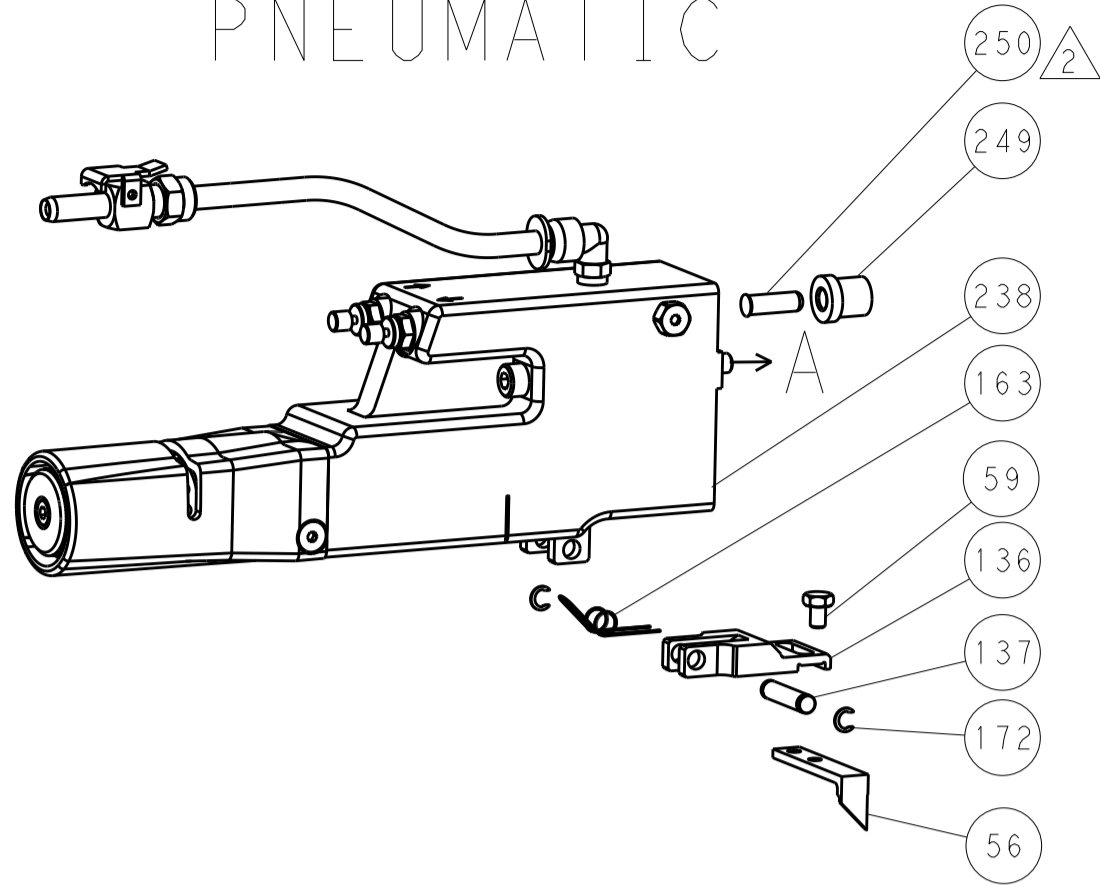
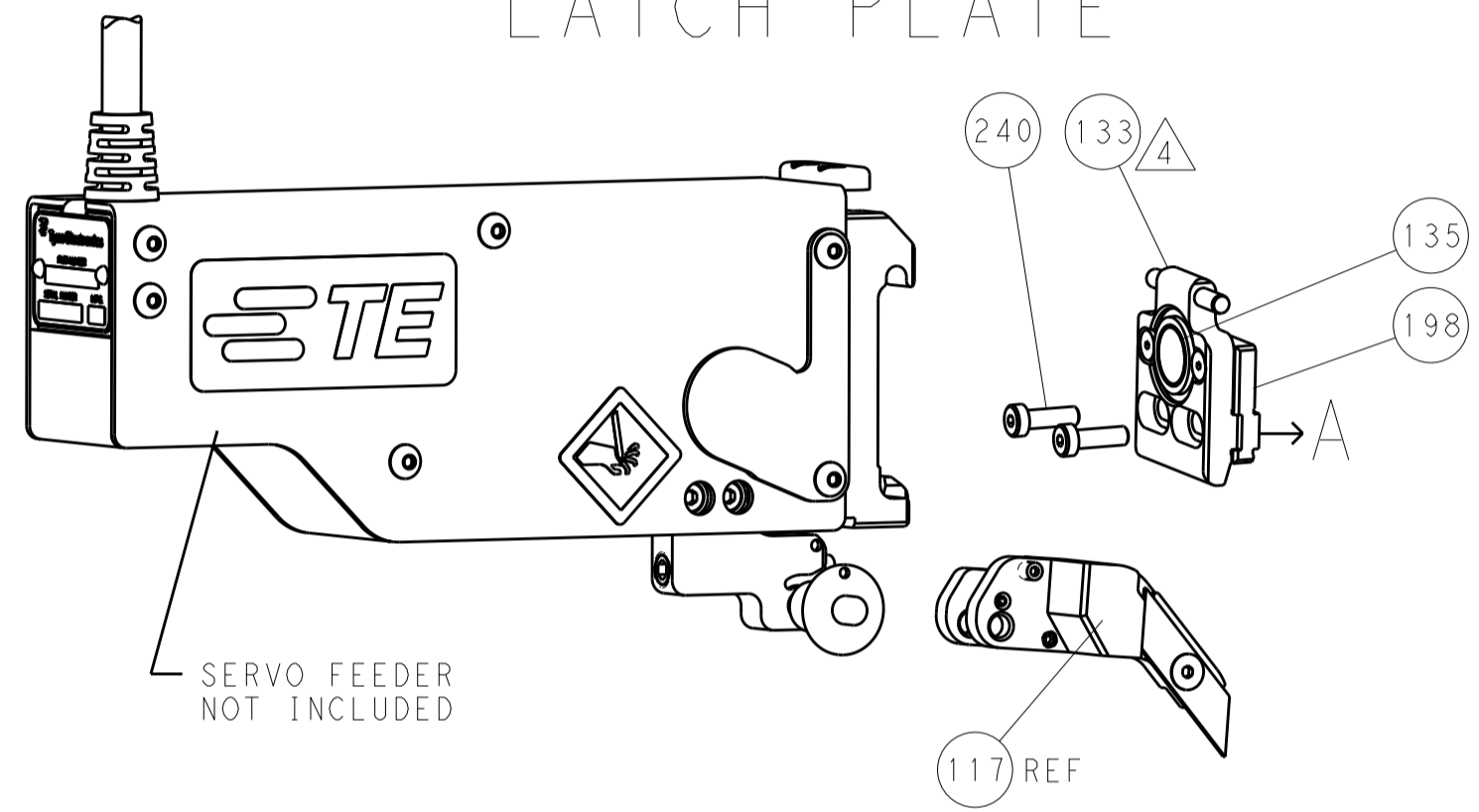


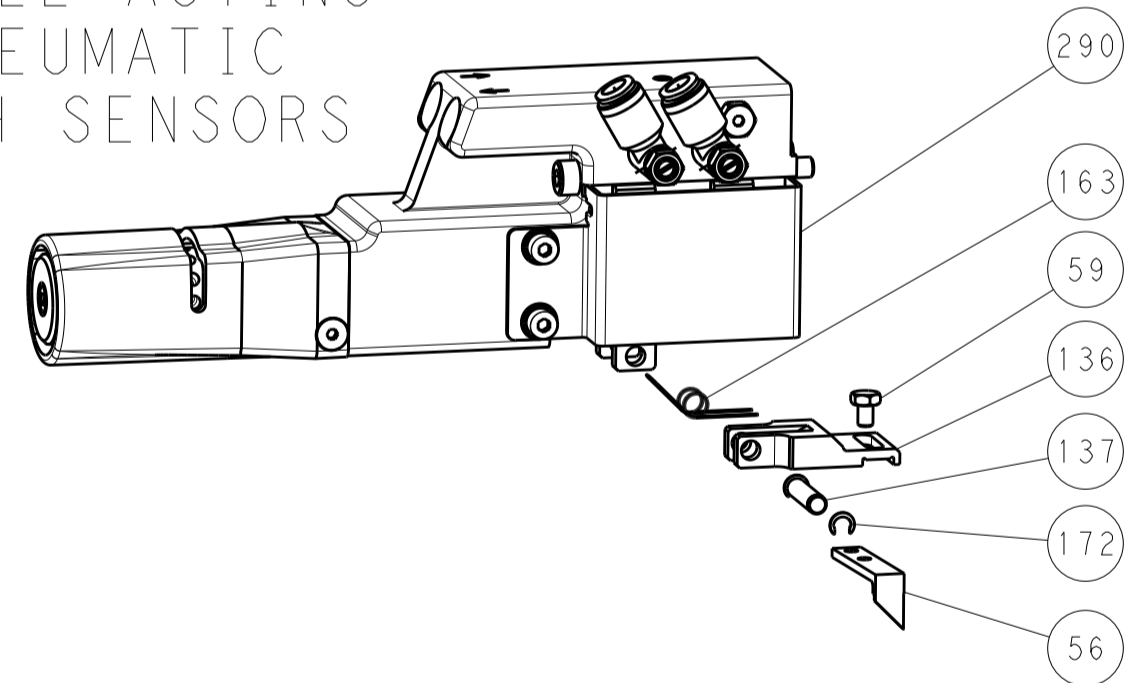
FEED TYPE PNEUMATIC



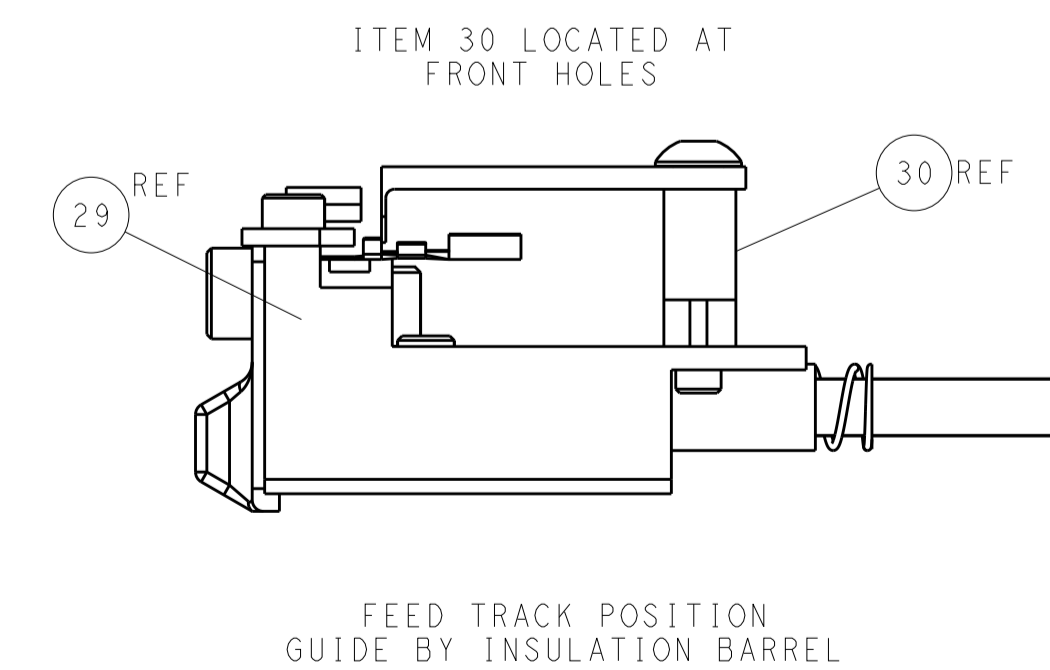
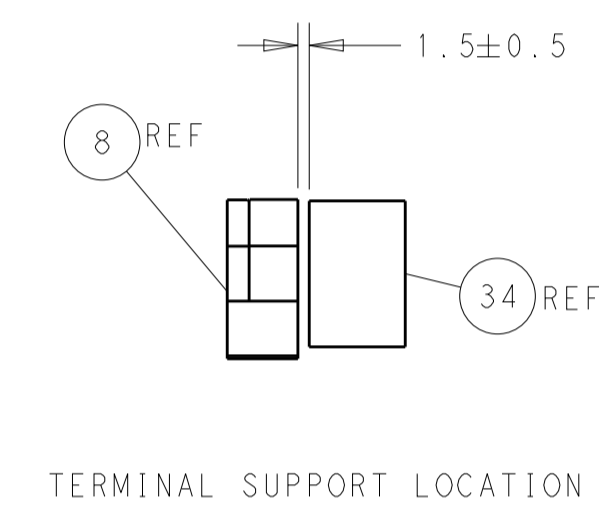
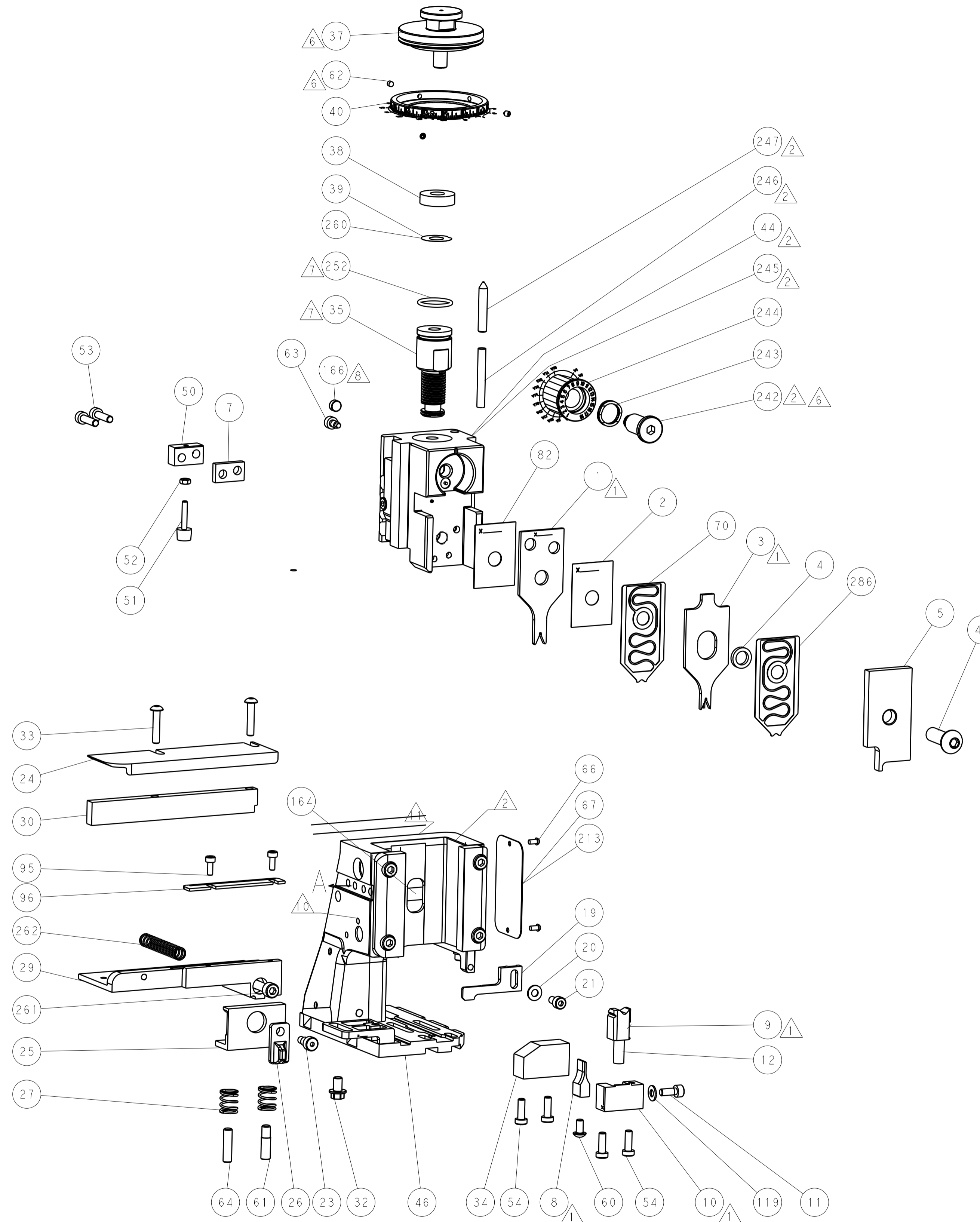
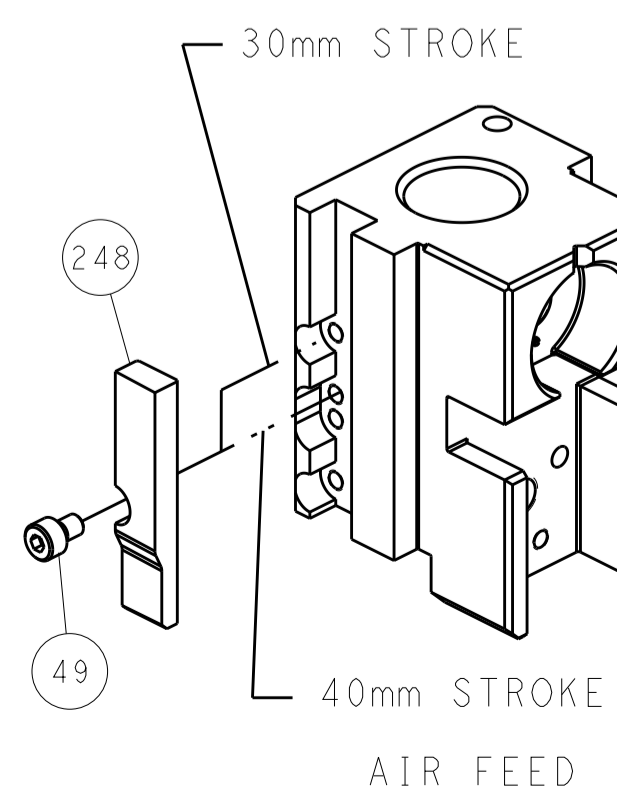
SERVO LATCH PLATE



DOUBLE ACTING PNEUMATIC WITH SENSORS



CAM POSITION



ATLANTIC VERSION
Shown on sheets 1 of 4 & 2 of 4
(Pacific version shown on sheets 3 of 4 & 4 of 4)

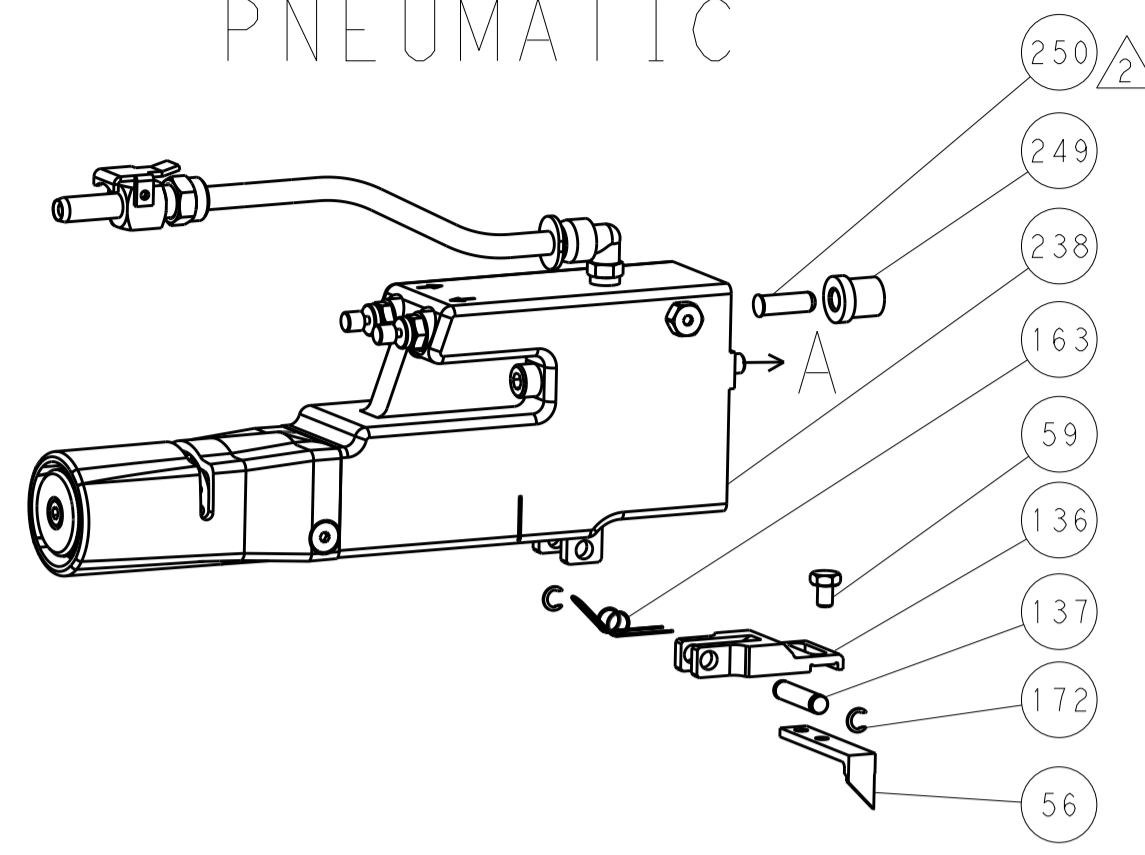
LOC	DIST	REV	DATE	BY	APPV
A	66				

DIMENSIONS:		TOLERANCES UNLESS OTHERWISE SPECIFIED:		REVISIONS	
mm	0 PLC	±		DATE	BY
	1 PLC	±			
	2 PLC	±			
	3 PLC	±			
	4 PLC	±			
	ANGLES	±			
MATERIAL	FINISH				

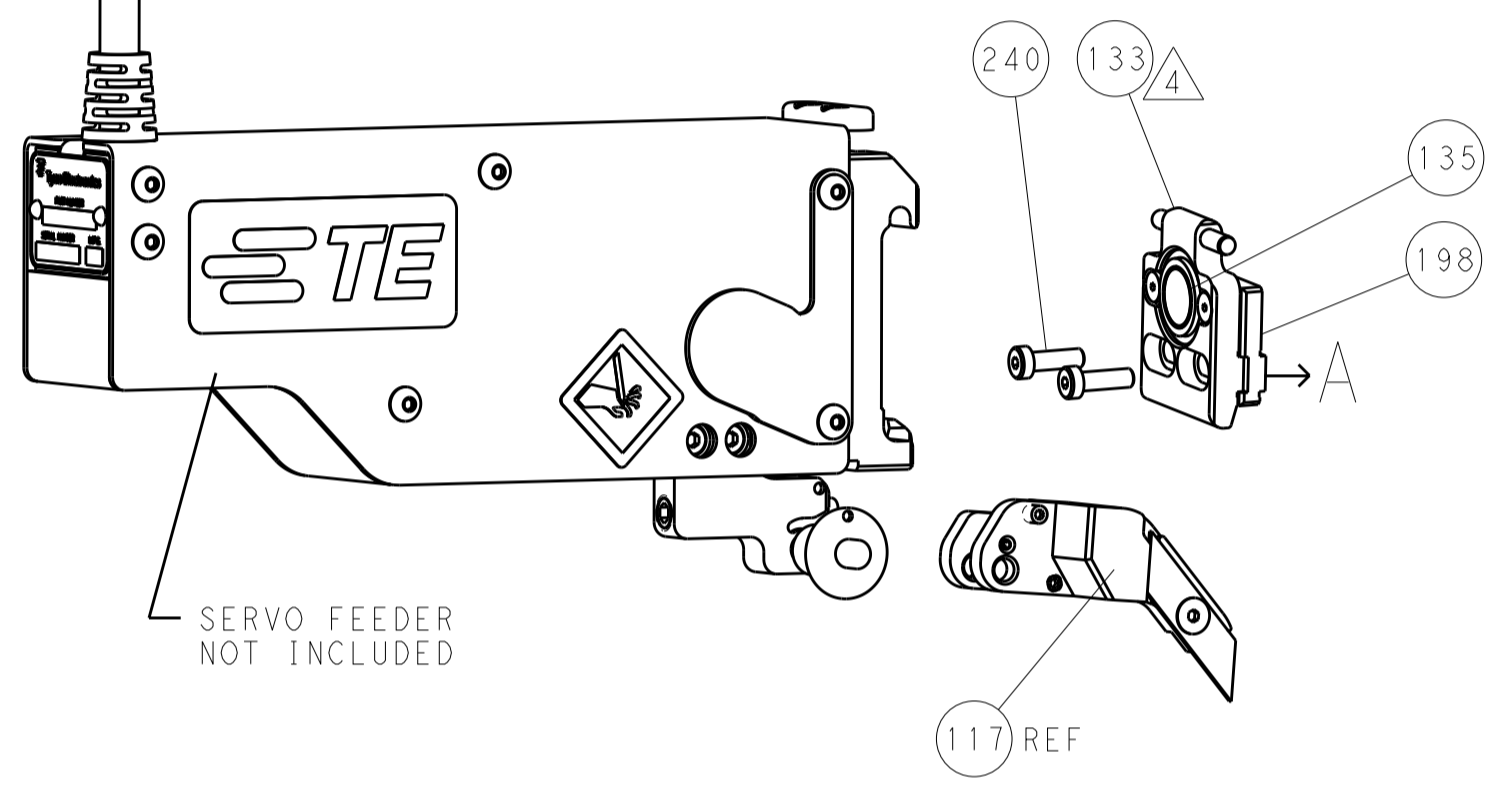
OWN	C. CHEN	05MAY2011	TE Connectivity Harrisburg, PA 17105-3608
CHK	S. XI	05MAY2011	
APVD	J. CRUZ	05MAY2011	NAME
PRODUCT SPEC			Ocean Side Feed
APPLICATION SPEC			Applicator
SIZE	CAGE CODE	DRAWING NO	RESTRICTED TO
A1	00779	2151332	
Customer Accessible Production Drawing			SCALE 1:2 SHEET 2 OF 4 REV S2

LOC		DIST		REVISIONS			
A	66	P	LTM	DESCRIPTION	DATE	DWN	APVD
		-		SEE SHEET 1			

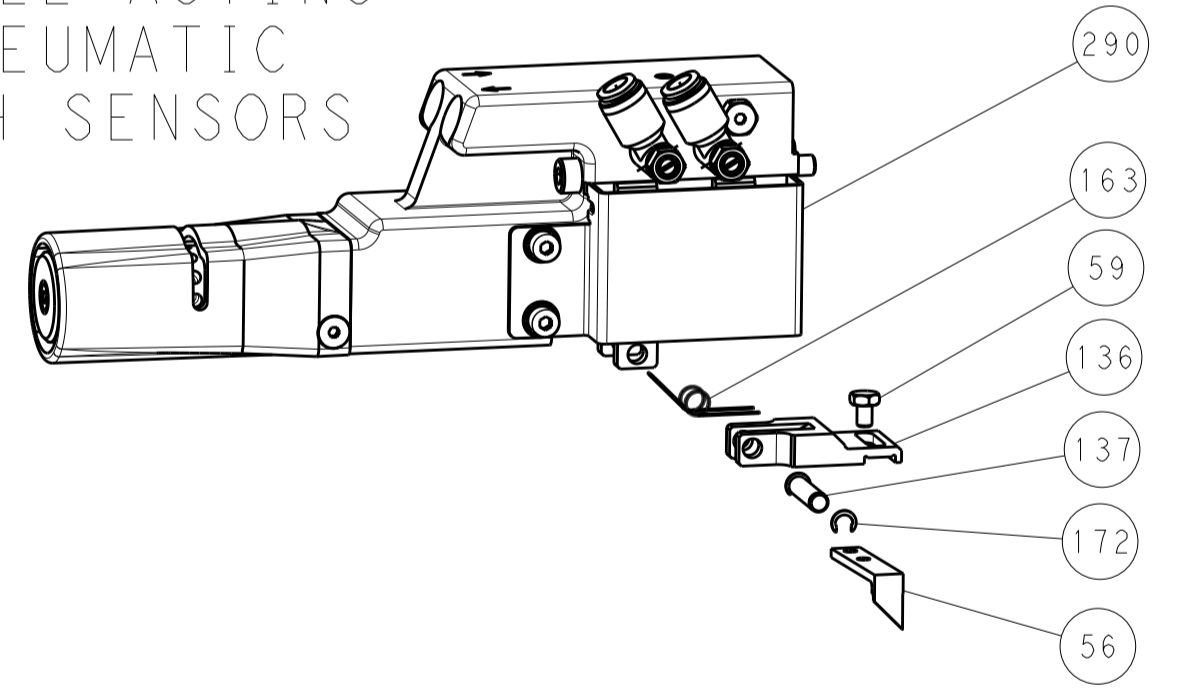
FEED TYPE PNEUMATIC



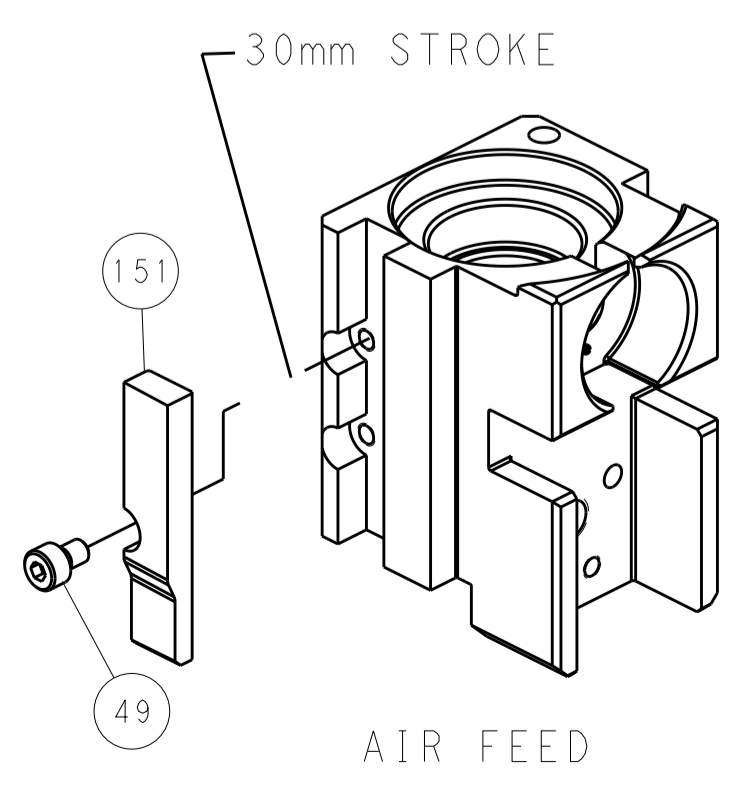
SERVO LATCH PLATE



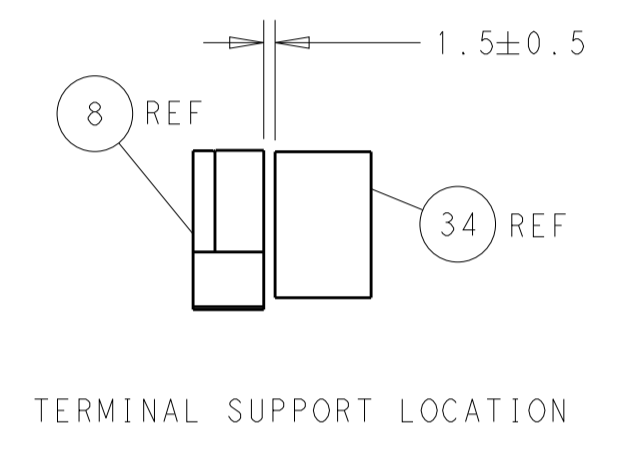
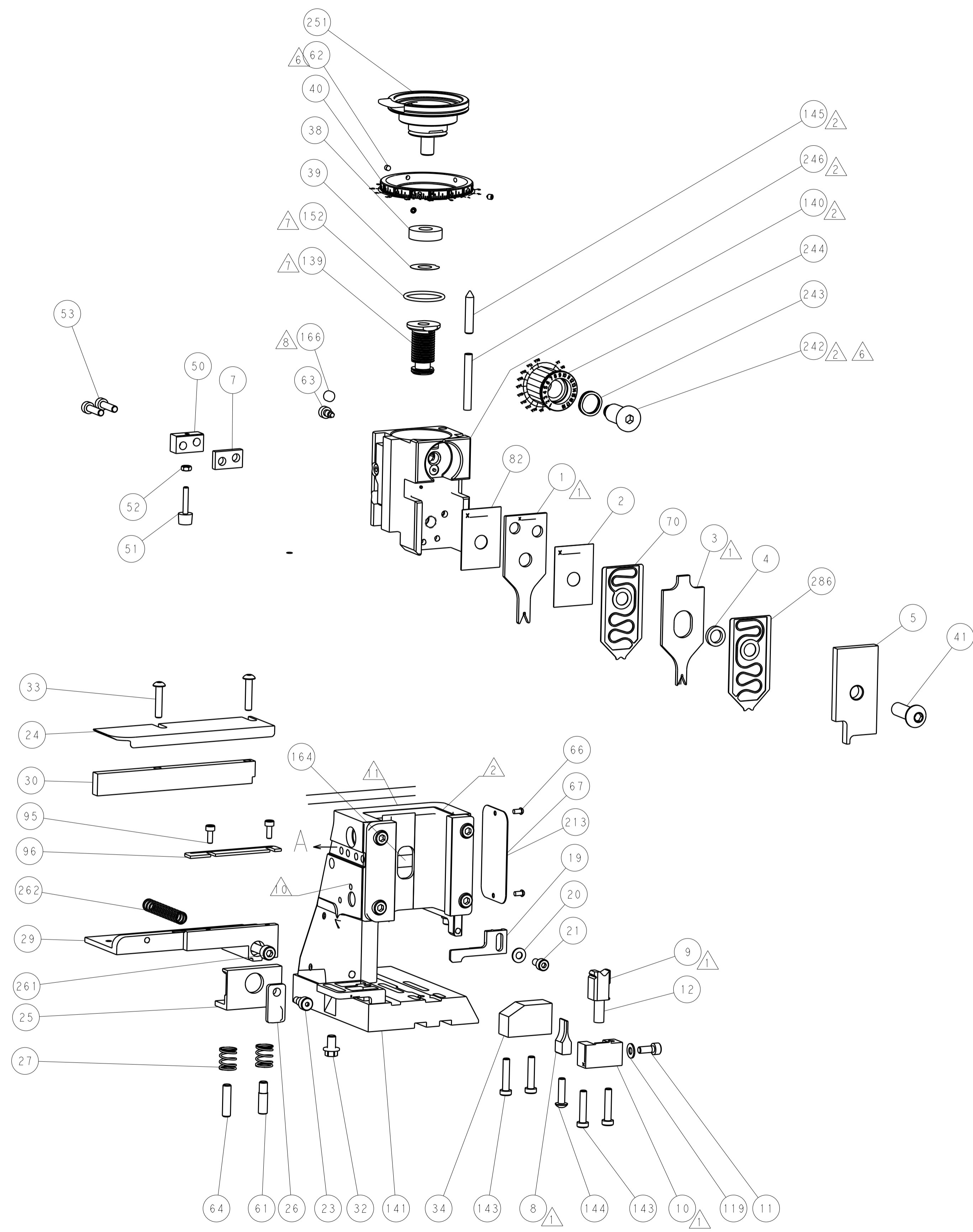
DOUBLE ACTING PNEUMATIC WITH SENSORS



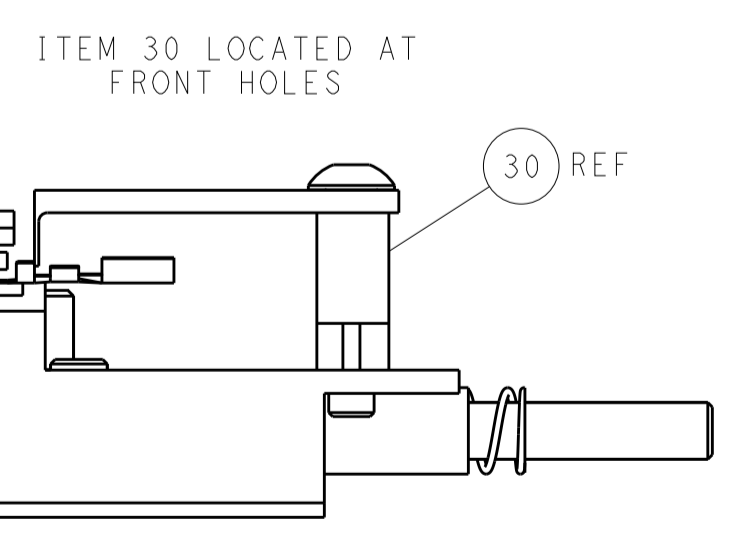
CAM POSITION



AIR FEED



TERMINAL SUPPORT LOCATION



FEED TRACK POSITION
GUIDE BY INSULATION BARREL

PACIFIC VERSION
 Shown on sheets 3 of 4 & 4 of 4
 (Atlantic version shown on sheets 1 of 4 & 2 of 4)

DIMENSIONS:		TOLERANCES UNLESS OTHERWISE SPECIFIED:		DWN C. CHEN 05MAY2011		STE Connectivity Harrisburg, PA 17105-3608	
mm	0 PLC	±		CHK S. XI 05MAY2011	NAME	Ocean Side Feed Applicator	
	1 PLC	±		APVD J. CRUZ 05MAY2011	PRODUCT SPEC	RESTRICTED TO	
	2 PLC	±			APPLICATION SPEC	SIZE	CAGE CODE
	3 PLC	±				A1	00779
	4 PLC	±			WEIGHT	©=2151332	SCALE
	ANGLES	±			MATERIAL	Customer Accessible Production Drawing	1:2
							SHEET 4 OF 4
							REV S2