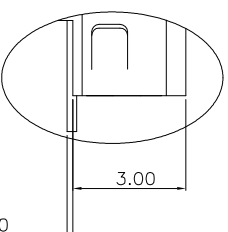
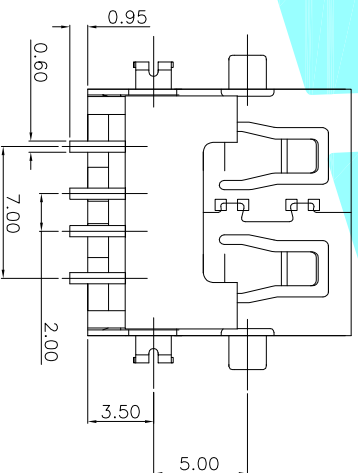
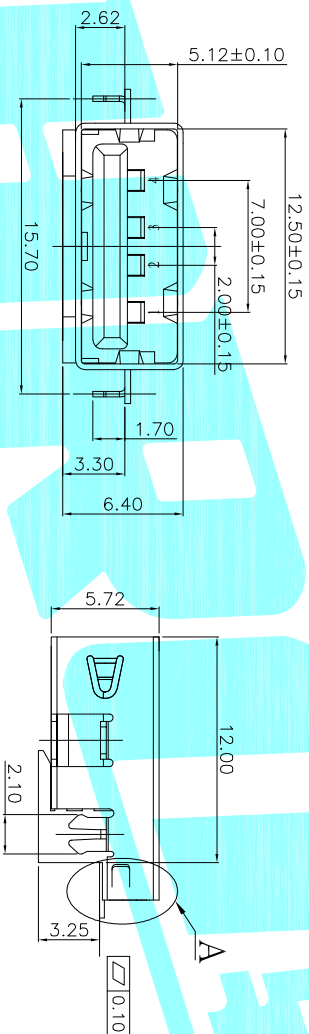


P.C.B LAYOUT



1. 额定电流: Current Rating
1.5A/contact terminal
2. 额定电压: Voltage Rating
30V DC
3. 接触电阻: Contact Resistance
30 milliohms MAX
4. 耐电压: Dielectric Withstanding Voltage:
500 V AC AT Sea Level
5. 绝缘阻抗: Insulation Resistance:
1000MEGA ohms MIN
6. 插拔力: Connector Mate and Unmate Force
Mate force: 3.57kgf(MAX)
Unmate force: 1.02kgf(MIN)
7. 端子保持力: Terminal Retention
1.0kgf(MIN)

ITEM	PART NAME	TER'NO.	QTY.	MATERIAL	FINISHING
③	Base	—	1	PBT	black
②	Terminal	—	4	Phosphor Bronze	Ag Plated
①	Housing	—	1	SPCC/Phosphor Bronze	Ni Plated

APPROVALS	DATE	TITLE:
DRAWN	JIANKUN LU	2018.08.01
CHECKED		USB CONNECTOR
APPROVALS		PART NO. U-A-24SD-W-2

TOLERANCES ARE		ANGLE	UNIT:	SCALE:	PROJ:
30~以上	±0.30		mm	1:1	①
10~30	±0.25				
5~10	±0.20	±2°			
~5	±0.15				

ECN NO.	REV.	DATE.	DESCRIPTION.	CHANGE.	CHECK.	APPRO.
	A		NEW			



ELECTRONICS CO.,LTD