

**PLEASE CHECK WWW.MOLEX.COM FOR LATEST PART INFORMATION**

**Part Number:** [62201-8833](#)  
**Status:** **Active**  
**Description:** Impact™ Backplane Module Installation Press-In Tool

**Documents:**  
[RoHS Certificate of Compliance \(PDF\)](#)

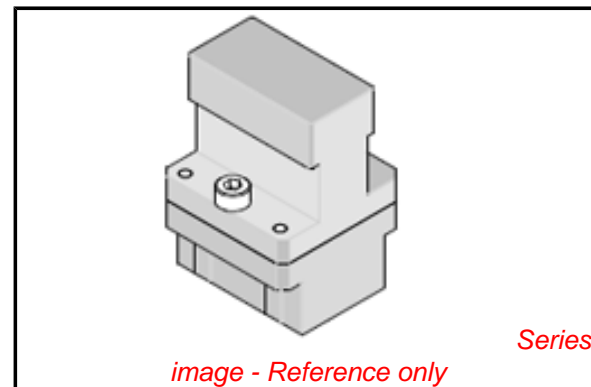
**General**

Product Family	Application Tooling
Series	T9999
Comments	See Tooling Specification (PDF) Above
Function	Insertion
Geographic Area	Global
Level of Automation	Manual
More Detailed Tech Information	<a href="mailto:applicationtooling@molex.com">applicationtooling@molex.com</a>
Product Name	Impact™
Survey	<a href="http://www.molex.com//review/apptool_survey.html">www.molex.com//review/apptool_survey.html</a>
Tool Type	Handtool
UPC	887191002989

**Material Info**

**Reference - Drawing Numbers**

Application Tooling Documents	ATS-622018833
-------------------------------	---------------



*image - Reference only*

**EU RoHS**

**ELV and RoHS  
Compliant**

**REACH SVHC**

Not Reviewed

**Low-Halogen Status**

**Not Reviewed**

**China RoHS**



**Need more information on product  
environmental compliance?**

Email [productcompliance@molex.com](mailto:productcompliance@molex.com)  
 For a multiple part number RoHS Certificate of  
 Compliance, [click here](#)

Please visit the [Contact Us](#) section for any  
 non-product compliance questions.

**Search Parts in this Series**

T9999Series

**Use With**

Impact™ Backplane Signal Module  
 Assembly, 4-Pair by 12 Column 85 Ohm  
 Assemblies [170335](#) , [170515](#)

**PLEASE CHECK WWW.MOLEX.COM FOR LATEST PART INFORMATION**